

NOTE:

1. Electrical test:

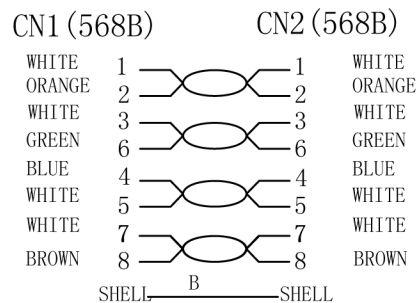
- (1). 100% open short & miss wire test;
- (2). Insulation resistance: DC500V 10M ohm;
- (3). Conductor resistance: \* ohm ;
- (4). Dielectric strength: 200V AC/Sec, 1mA.

2. RoHS Reach COMPLIANT

3. Printing: CAT.7 600MHZ PIMF S/FTP AWG26 (UL) E495760  
ISO/IEC 11801 TIA/EIA 568B.2-1 LSZH GIGABIT DINIC

4. FLUKE CAT6A CHANNEL

PIN OUT



MATERIAL LIST:

③	CABLE	S/PTP Cat.7 26AWG (7/0.16BC*1P+A)*4 B=0.12mm/5*16 AL-MG JACKET PVC/** LSZH OD:6.5±0.2mm	1	
②	OVER MOLD	PVC / COLOR:** LSZH	2	
①	CONNECTOR	RJ45 8P8CS PIN Gold-Platde FU" Shell Gold-Plating TRANSPARENT	2	
NO.	PARTS NAME	SPECIFICATION DESCRIPTION	QT' Y	REMARK

<b>DINIC</b>				
DRAW NO.		PRODUCT NAME	CAT7 S/PTP 8P8CS - 8P8CS	
CUSTOMER	C7-X		VIEW	Tolerance
ITEM NO.				X. ±1.00 X.X ±0.50
APPOBY		CHECKBY	DRAWNBY	UNTT
			East LI	MM
			Page	1 of 1