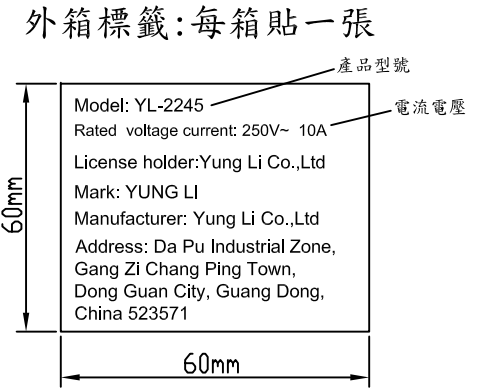
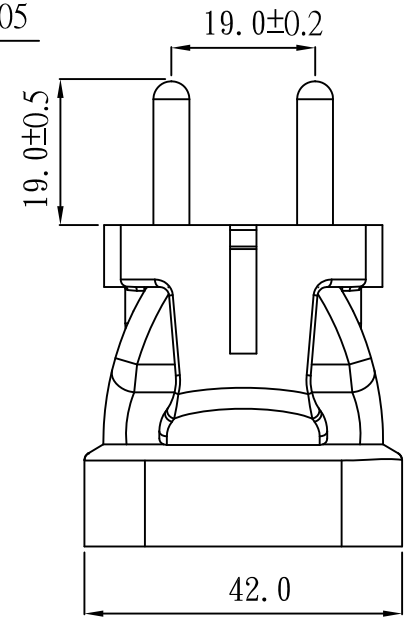
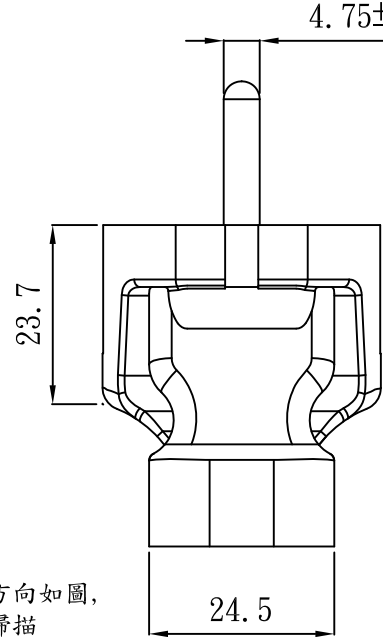
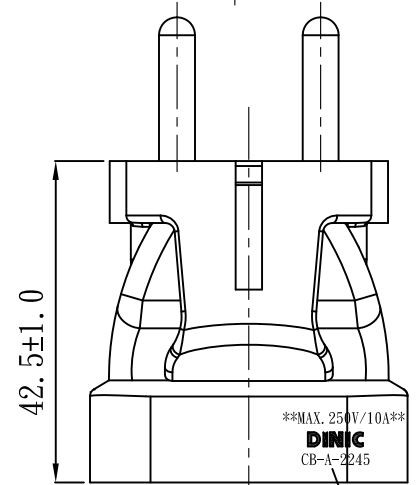


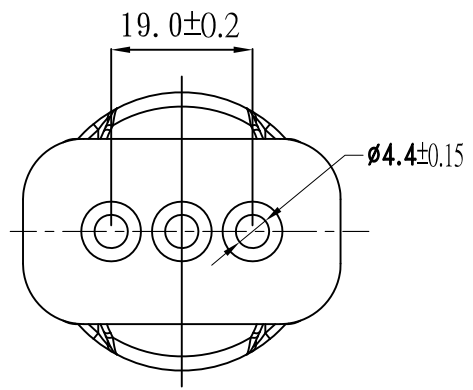
袋子標籤：每袋裝50PCS，貼一張標籤

Note:  
 1.Rating:10A 250V  
 2.Insulation Resistance:100MΩ  
 3.Dielectric Voltage:2000V/sec



平齊此處貼標籤，文字方向如圖，條碼貼在平面上，以便掃描

掃描內容為：  
4032528025186



TOLERANCE >0±0.30 >1.0±0.50 >10.0±1.0 >20.0±2.0 Angle: ±1°	APPROVED		DATE		YUNG LI CO., LTD			
	CHECKED		DATE					
	DRAWN		DATE					
	TYPE	YL-2245			P/N			
	DRAWING NO.				MATERIAL	P. V. C	UNIT	mm
				SCALE	1:1			