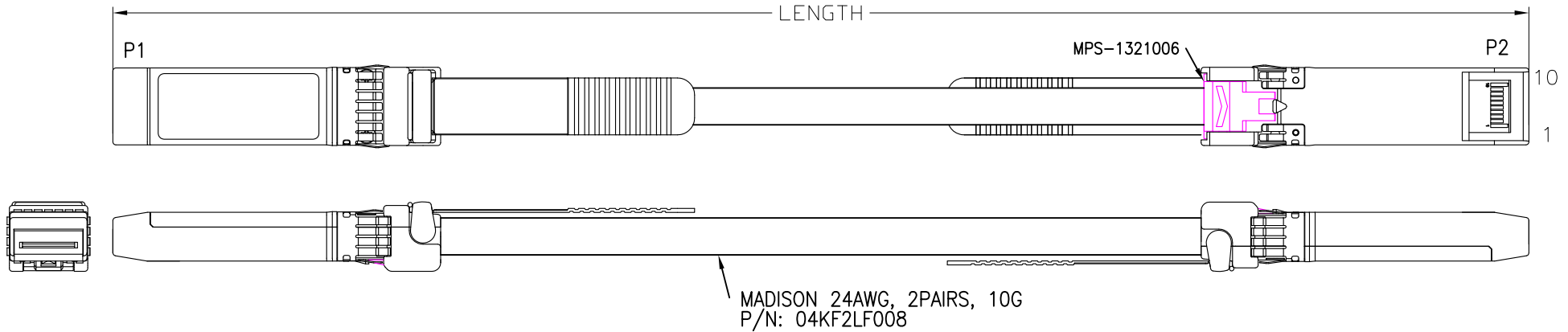


REV.	REMARK	DATE	SIGN.

RoHS



MATERIAL RoHS COMPLIANT

1. CABLE:

CONDUCTOR: 24 AWG SOLID SILVER PLATED COPPER.
 INSULATION: FOAM POLYOLEFIN, COLOR - NATURAL.
 PAIR: 2 SINGLES LAID FLAT AND PARALLEL.
 CORE: 2 PAIRS
 PAIR DRAIN: 26 AWG SOLID SILVER PLATED COPPER.
 PAIR SHIELD: ALUMINUM/POLYESTER TAPE, ALUMINUM SIDE FACING IN.
 INNER SHIELD: ALUMINUM/POLYESTER/ALUMINUM TAPE, 25% OVERLAP.
 OUTER SHIELD: 38 AWG TIN PLATED COPPER BRAID, 85% COVERAGE.
 JACKET: XPBT, COLOR - BLACK.
 DIAMETER: 6.477 MM
 DIFFERENTIAL IMPEDANCE: 100 ± 5 OHM @TDR.

PRINTED LEGEND: "MADISON CABLE (UL) TYPE CL2 75°C 24 AWG CSA AWM II A/B 80°C 30V FT4 TurboTwin™10G 101-6423 RoHS COMPLIANT {D/C}"

APPROVAL: UL TYPE CL2 AS SPECIFIED IN ARTICLE 725 OF THE NATIONAL ELECTRICAL CODE.

2. CONNECTOR:

P1&P2: SFP+ MODULE
 <1> HOOD: ZINC DIE CASTING, NICKEL PLATING.
 <2> LATCH: PC RESIN UL94V, COLOR IN BLACK. (MPS-1321006)
 <3> P.C.B: 4 LAYERS, GOLD PLATING ON CONTACT PADS.
 <4> SERIAL ID IC: ATMEL 24C02D OR EQUIVALENT.
 <5> PULL TAB: NYLON UL94V-0, COLOR: WHITE.

LENGTH	AWG
5000±70	24AWG
7000±70	24AWG

WIRING CHART			
P1 END		P2 END	
P1 PAD	SIGNAL	P2 PAD	SIGNAL
12	RX-	19	TX-
13	RX+	18	TX+
GROUND		GROUND	
18	TX+	13	RX+
19	TX-	12	RX-
GROUND		GROUND	

UNICONN CORPORATION
 科懋實業有限公司

DESC.	SFP+ TO SFP+ PASSIVE CABLE ASS'Y	APPROVED	CHECKED	DESIGNED	TOLERANCE	SCALE	*	UNIT	mm	
P/N	B-7224	CUSTOMER P/N		Sino		DATE	10/12/'20	DWG NO:	DWG\B\7224	