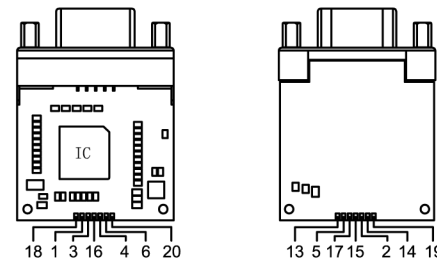
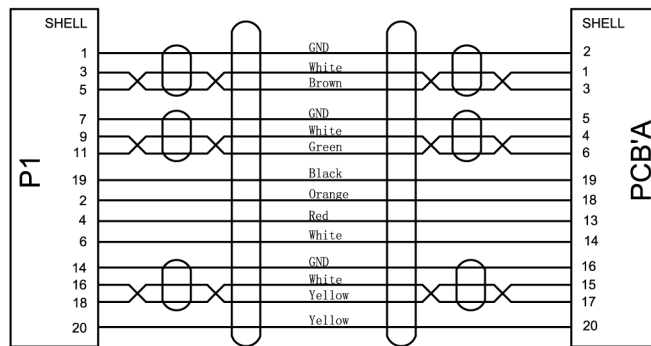
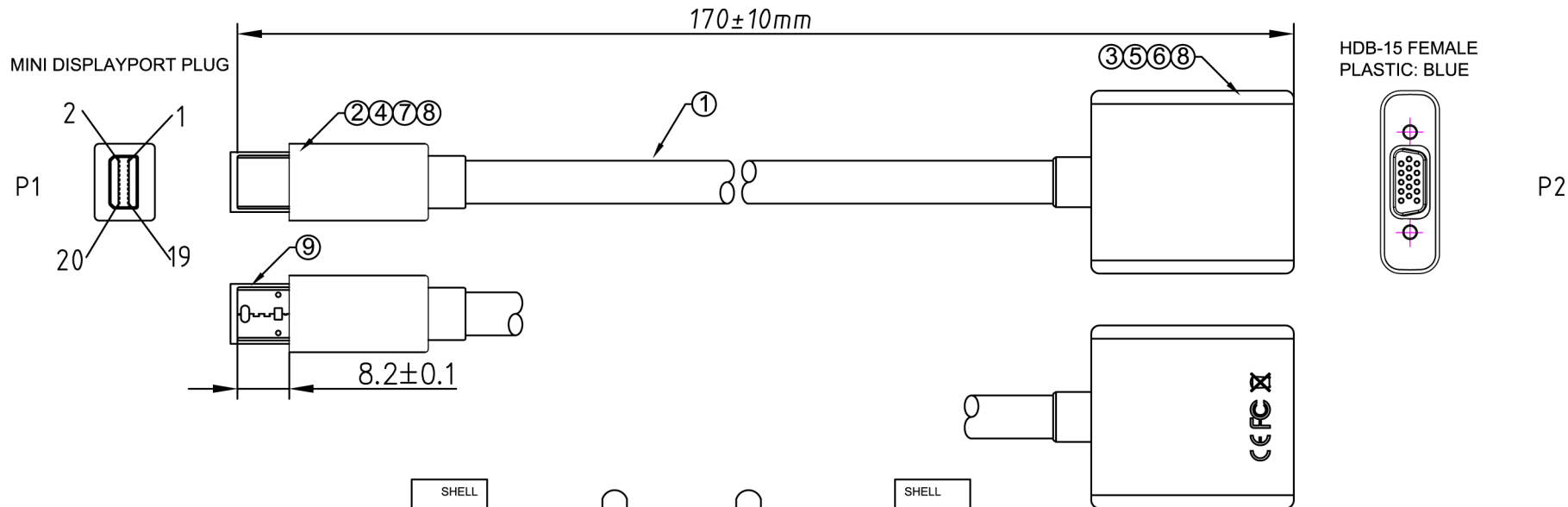


RoHS Compliant

REV	DESCRIPTION OF CHANGE	DATE
A0	INITIAL RELEASE	2011-07-09



NXP PCB'A

9	Dust cap	OR-0007	MINI DP Dust cap	1 Pcs
8	PVC	PVC-0002	60P PVC White	25.0g
7	PE	PE-0001	LDPE (RoHs)	5.00g
6	Shell	SL-WH0071	VGA, DVI, HDMI White Shell(smooth)	1 Pcs
5	Lid	SL-WH0018	VGA White Shell	1 Pcs
4	Shell	SL-WH0070	Mini DP White Shell	1 Pcs
3	Connector	BM-F-015-NF-NX	VGA (F) PCB' A (NXP), nickel plated	1 Pcs
2	Connector	CN-N0002	Mini DP (M), nickel plated	1 Pcs
1	Cable	DP0-55-3201	UL20276 (32AWG*1P+D+AL/MY)*5C+32AWG*5C+MY/AL+BRAID, JACKET PVC WHITE. OD=5.5±0.20mm 140+5/-0mm	1 Pcs
NO.	Material name	Item number	Specifications Description	Quantity

图号 (DWG NO)	XY-A0141	单位 (UNIT): MM	DINIC	
版次 (REV):	A0	比例 (SCALE) 1:1		
页次 (PAGE):	1/1		TITLE	Mini DP to VGA Cable
设计 (DESIGN)	Tokey	未注公差 TOLERANCE UNSPECIFIED	CUST. P/N	
审核 (CHECKED)		XX ± 0.25 X.XX ± 0.15 X.XXX ± 0.05 X' ± 5° X'X' ± 2'	PART NO	AD-WH-141-170
核准 (APPROVED)				