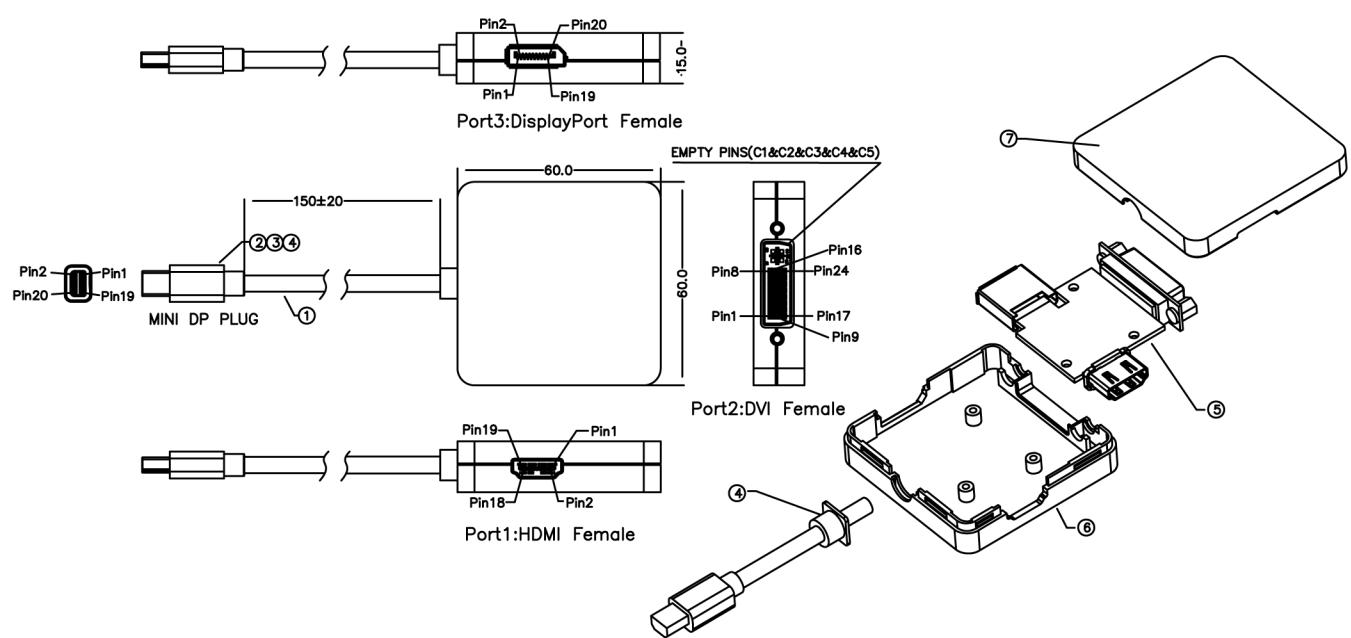


REV	ZONE	LTR	DESCRIPTION	DATE	REVISER	APPD
1.0			New Drawing	2011/03/21	REY	



Features:

1. Converts low-swing AC coupled differential input to HDMI rev 1.3 compliant open-drain current steering Rx terminated differential output.
2. Compliant to VESA Interop Guidelines.
3. HDMI level shifting operation up to 2.5Gbps per lane (250MHz pixel clock).
4. Integrated 50-ohm termination resistors for AC-coupled differential inputs.
5. Enable/Disable feature to turn off TMDS outputs to enter low power state.
6. I C buffer for ATC DDC Cap test support.
7. Transparent operation: no re-timing or configuration required.
8. Level shifter for HPD single from HDMI connector.
9. Integrated pull-down on HPD_sink input guarantees "input low" when no display is plugged in.
10. Supports 1080p 60Hz at distance up to 3meters.

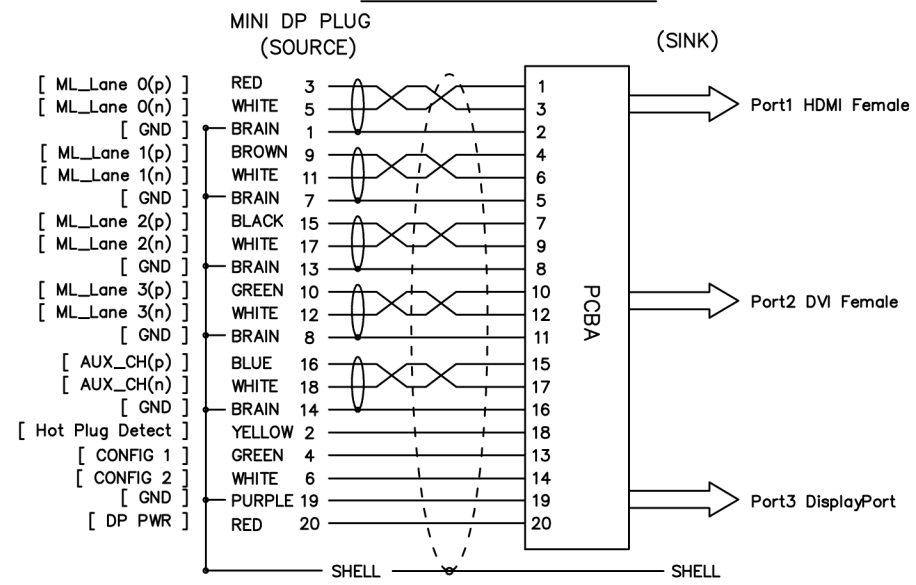
Electrical character:

by PC and monitor 1080P 60Hz test pass.

Note:

a. User can only use one output port at one time.

PIN ASSIGNMENT:



7	UP COVER	ABS UP COVER, WHITE COLOR	
6	BOTTOM COVER	ABS BOTTOM COVER, WHITE COLOR	
5	PCBA	HDMI/DVI CONTACT G/F, DP CONTACT GOLD PLATED 15U", SHELL PLATED NICKEL, W/PCBA	
4	SR	PVC WHITE	
3	OUTER COVER	MINI DP CONNECTOR ABS OUTER COVER WHITE	
2	CONNECTOR 1	MINI DP CONNECTOR PLUG, CONTACT GOLD PLATED 15U", SHELL PLATED NICKEL	
1	CABLE	UL20276 DISPLAYPORT CABLE IMPEDANCE: 100 Ohm 32AWG WHITE	
N.O.	PART NAME	SPEC DESCRIPTION	REMAKE

MATERIAL	TOLERANCE UNSPECIFIED		Dinic		
	0.000 ±				
	0.00 ± 0.15		SCALE	UNIT	
	0.0 ± 0.25				NON
0. ± 0.30		NAME	SHEET		
ANGLE ± 0.5°				1/1	
FINISH					
DRAWN		DRAWING NO.	REV		
DESIGNER				2901P020PF-B0N-E1-SR	1.1
CHECKED					
APPROVED					