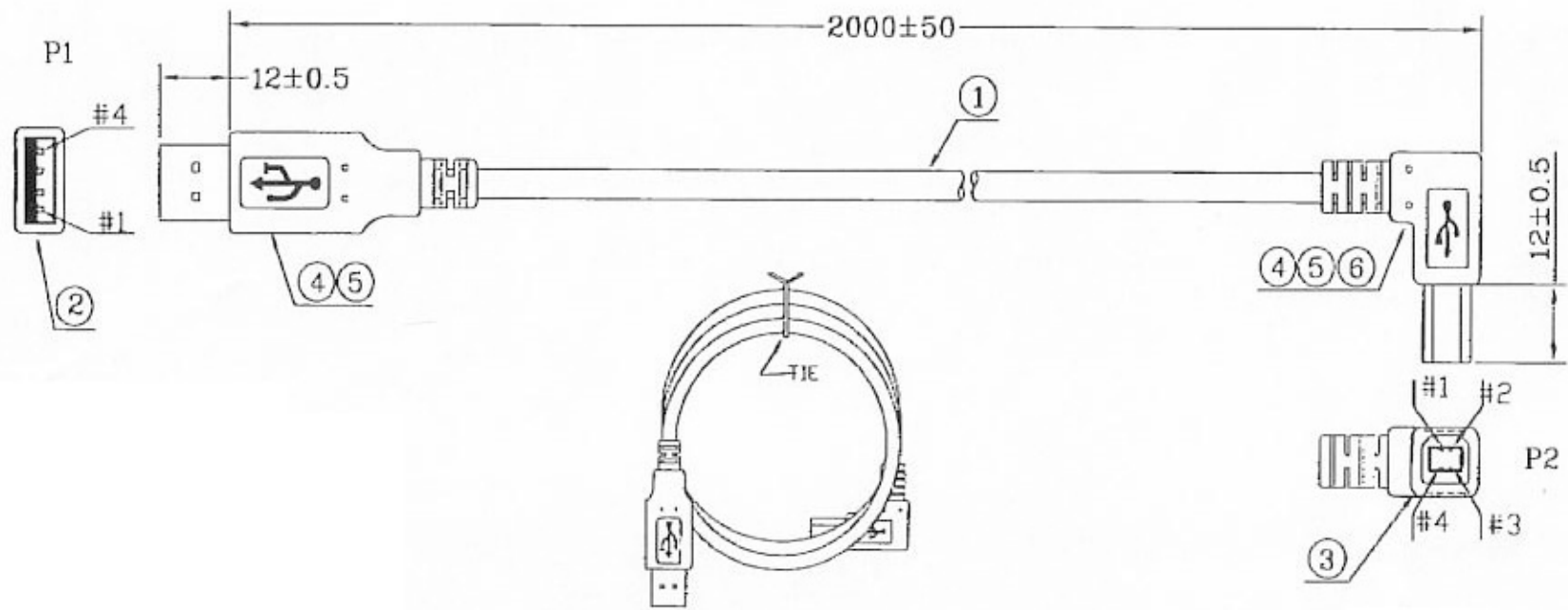


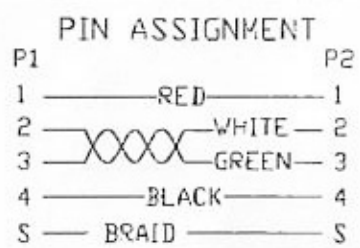
FILE NO UB-03288

DESCRIPTION CONTROL			
REV	DESC	DATE	APP



NOTE:  
RoHS Compliant  
REFUB01021CG003259

10	393	CARTON-46*30*25CM	1/200	PCS
9	393	PE BAG-30*28*0.08MM	1/200	PCS
8	390	PE BAG-6*8*0.05MM	1	PCS
7	390	TIE-A100/WH	1	PCS
6	370	PE-5321	0.8	G
5	370	PVC-TT02/50	13.5	G
4	220	SOL-WIRE-63/37-10	0.3	G
3	220	USB-B-P<WH>(一件式X世華)	1	PCS
2	220	USB-A-P<WH>/L	1	SET
1	210	28*1P+24*2C+A+B-TT02 -4.BU2725(REV:20X慶興或同級品)	2.02	M
NO	PART NO	DESCRIPTION	QTY	UNIT



## USB-II-2L

	ITEM: UB0102100003288	REV R
	SCALE: NONE	DATE: 2005.5.16
	CHECKED BY: John	CUSTOMER C127
APP'ED BY: JISON	CUSTOMER P/N:	
ALL DIMENSIONS IN mm		