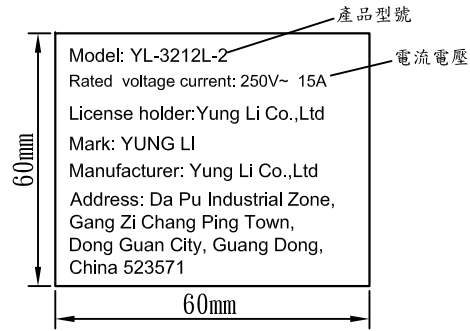
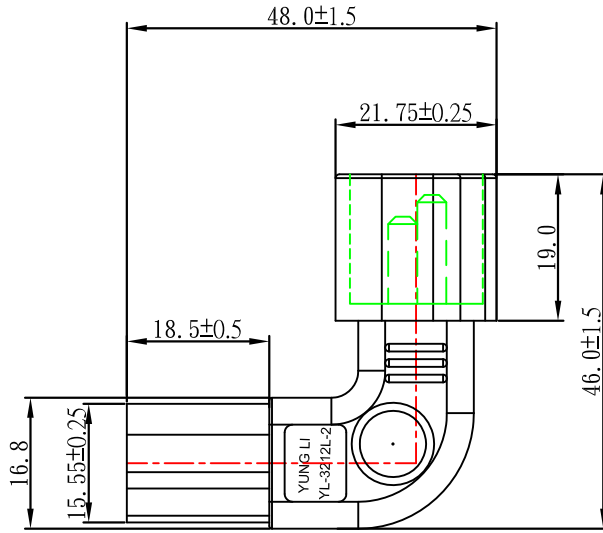
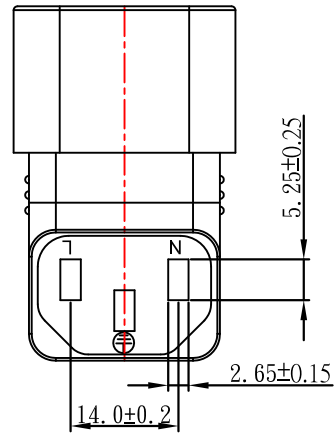
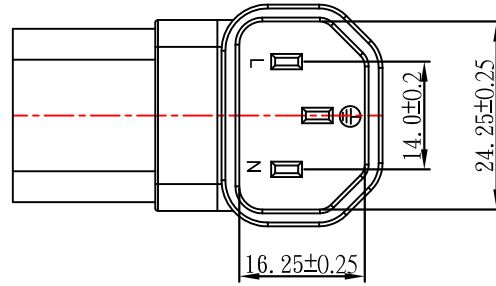


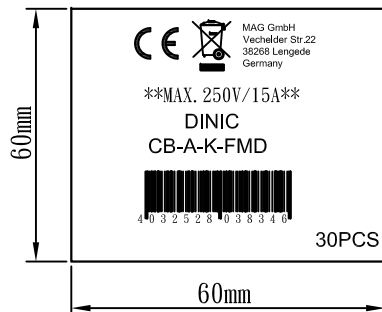
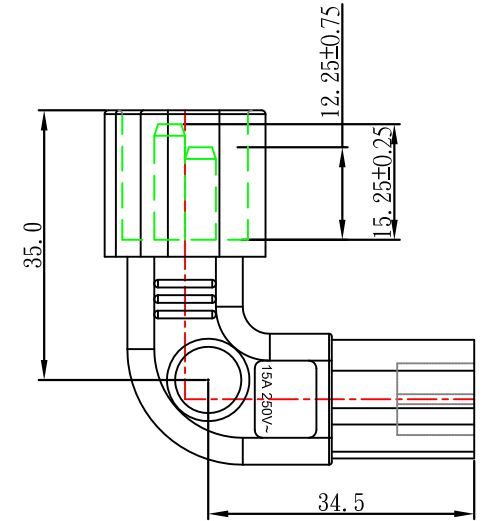
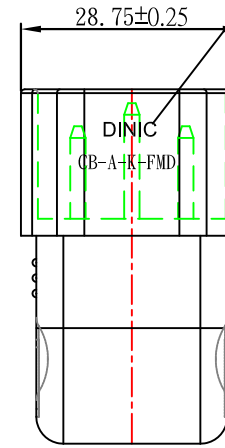
外箱標籤:每箱貼一張



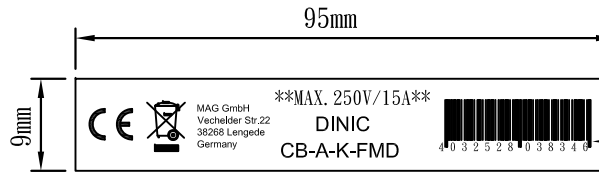
產品型號
 電流電壓



平齊此處貼標籤,文字方向如圖



袋子標籤:每袋裝30PCS,貼一張標籤



掃描內容為:
 4032528038346

Note:

- 1.Rating:15A 250V
- 2.Insulation Resistance:100MΩ
- 3.Dielectric Voltage:2000V/sec

Sample Drawing No.:
 SP230130-03

TOLERANCE >0±0.30 >1.0±0.50 >10.0±1.0 >20.0±2.0 Angle: ±1°	APPROVED		DATE		YUNG LI CO.,LTD			
	CHECKED		DATE					
	DRAWN	SUKI	DATE	23.01.30	CUSTOMER	MAG		
	TYPE	YL-3212L-2			P/N	CB-A-K-FMD		
	DRAWING NO.		REV	B	MATERIAL	P. V. C	UNIT	mm
				SCALE	1:1			