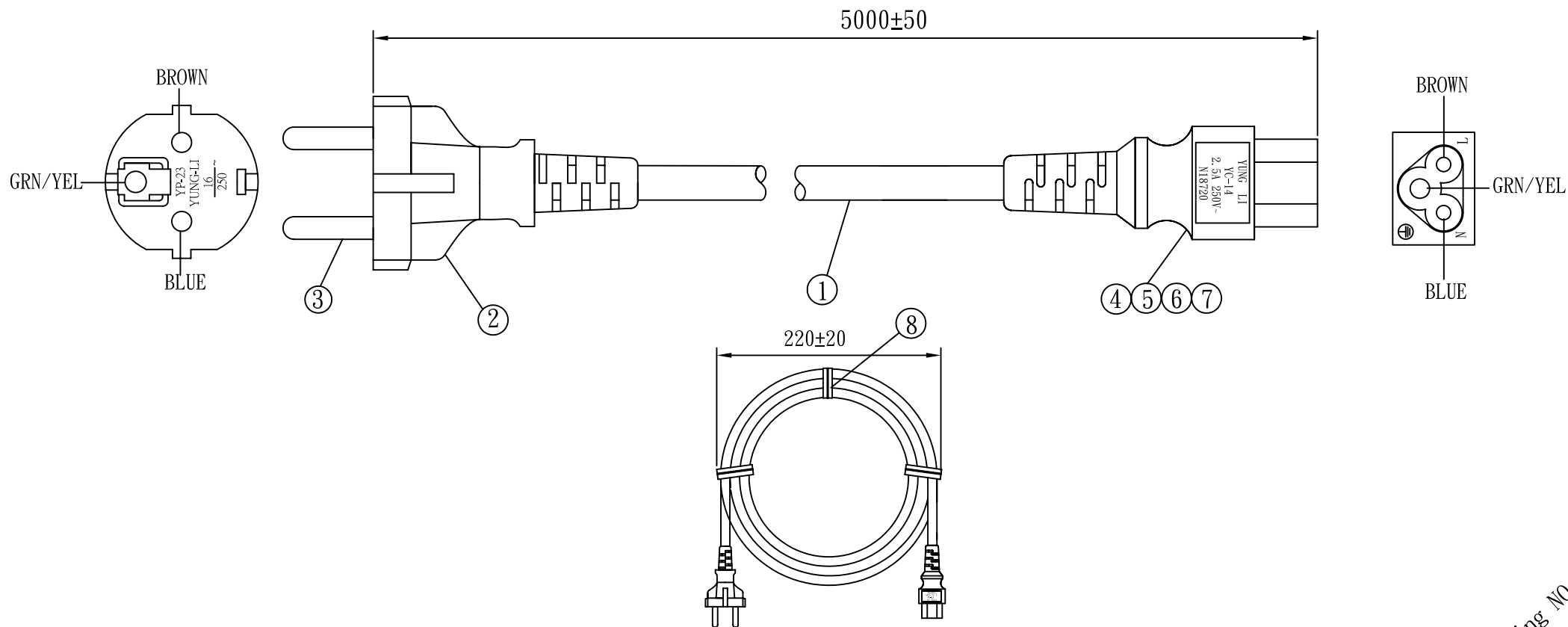


No advice if add any approval marks on this POWER CORD



Sample Drawing NO.: SP091026-08

NO.	SPECIFICATION	QTY	REMARK
1	H05VV-F 0.75/3G BLACK	1PC	
2	YP-23 PVC PLASTIC:50P BLACK	32g/PC	
3	TER:98651 BLACK	1PC	
4	YC-14 PVC PLASTIC:50P BLACK	18g/PC	
5	TER:98714PS-0	2PCS	
6	TER:98732PS-0	1PC	
7	YC-14 H. S. G	1PC	
8	MINI TIE:L=130mm BLACK	3PC	

TOLERANCE >0±0.30 >1.0±0.50 >10.0±1.0 >20.0±2.0 Angle: ±1°	APPROVED	DATE	YUNG LI CO., LTD			
	CHECKED	DATE				
	DRAWN	DATE	CUSTOMER	MAG		
	TYPE	YP-23/YC-14		P/N		
DRAWING NO.	REV	B	MATERIAL	P. V. C	UNIT	mm
			SCALE			