

東莞永力電業有限公司

YUNG LI CO., LTD

Da Pu Industrial Zone, Gang Zi, Changping Town,
Dong Guan City, Guangdong 523571 China.P.R.C

TEL:0769-83396797~8

FAX:0769-83396796

E-mail: sales@yung-li.com

Description: YP-03A/YC-18

Customer: MAG

Parts No. : CB-19-CH

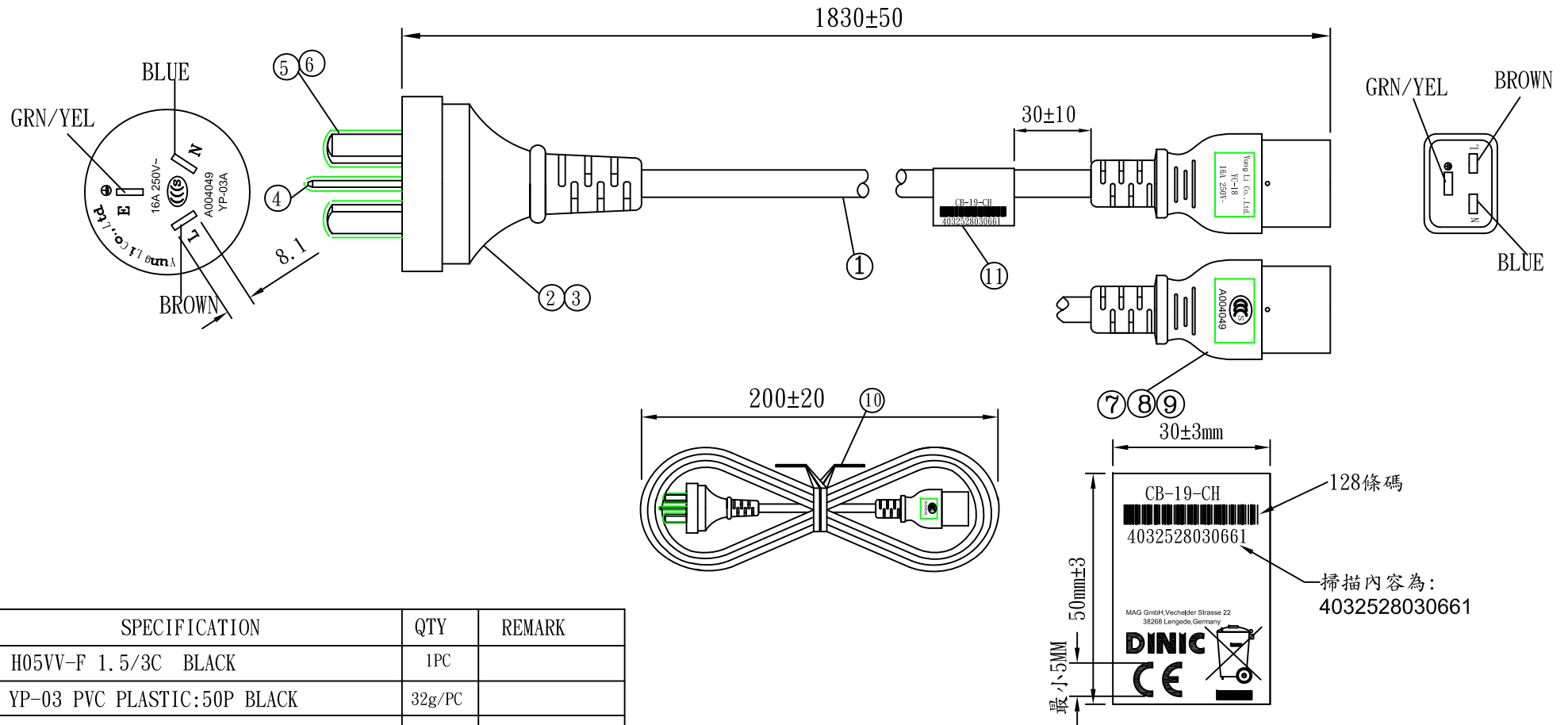
Draw No. :

REVISION RECORD

1		
2		
3		
4		
5		

YUNG LI	
CHECKED	PREPARED BY

CUSTOMER	APPROVED

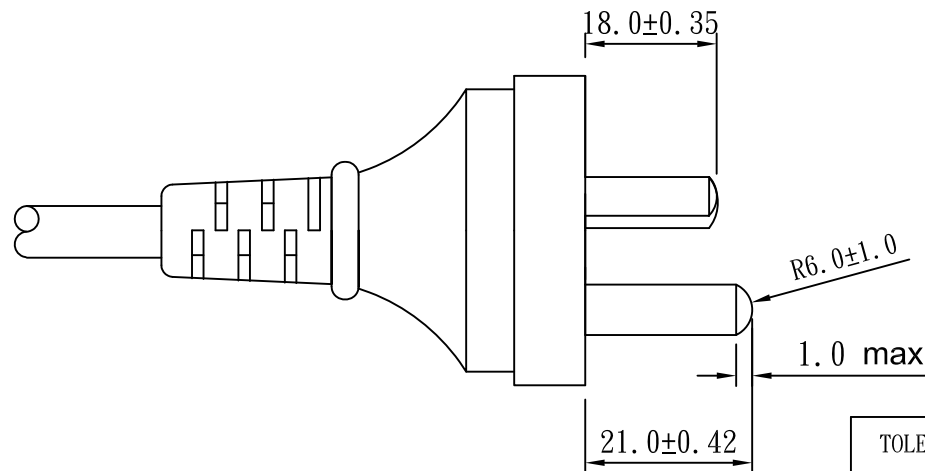
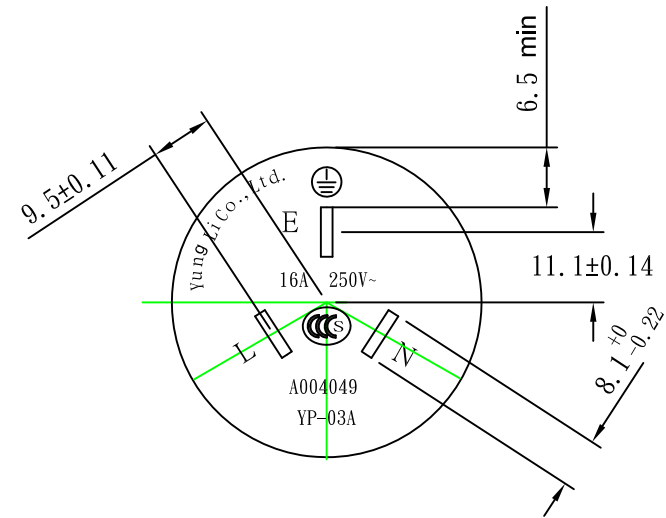
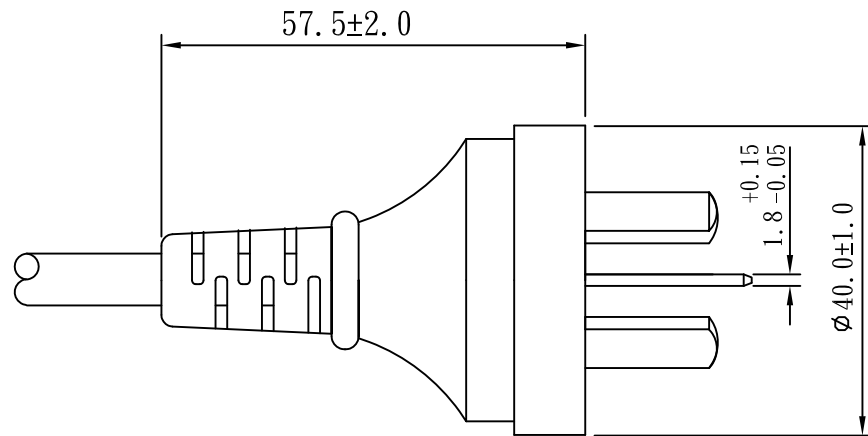


NO.	SPECIFICATION	QTY	REMARK
1	H05VV-F 1.5/3C BLACK	1PC	
2	YP-03 PVC PLASTIC:50P BLACK	32g/PC	
3	YP-03 INNER BODY	1PC	
4	TER:98654BS-1	1PC	
5	TER:98654SBS-1	2PCS	
6	SLEEVE:3PIN	1PC	
7	YC-18 PVC PLASTIC 50P BLACK	18g/PC	
8	YC-18 TER	3PCS	
9	YC-18 INNER BODY	1PC	
10	MINI TIE BLACK	1PC	
11	LABEL:50*30mm	1PC	

Tolerance >0±0.30 >1.0±0.50 >10.0±1.0 >20.0±2.0 Angle: ±1°	Approved		Date		YUNG LI CO.,LTD			
	Checked		Date					
	Drawn	SUKI	Date	22.09.07	Customer	MAG		
	Cat. No.	YP-03A/YC-18			P/N.	CB-19-CH		
	Drawing No.	CY-C0106-01	Rev.	B	Material	P.V.C	Unit	mm
				Scale				



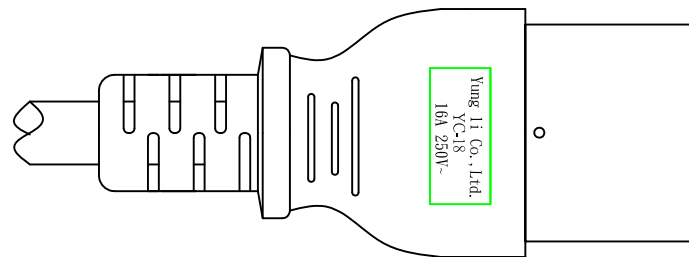
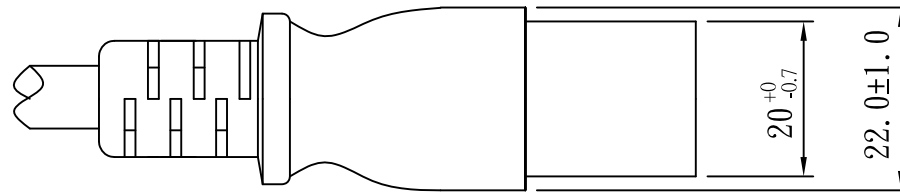
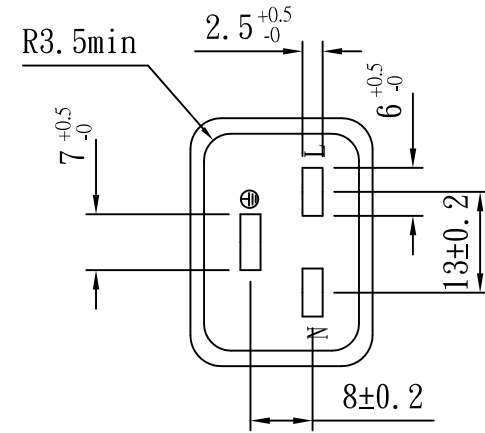
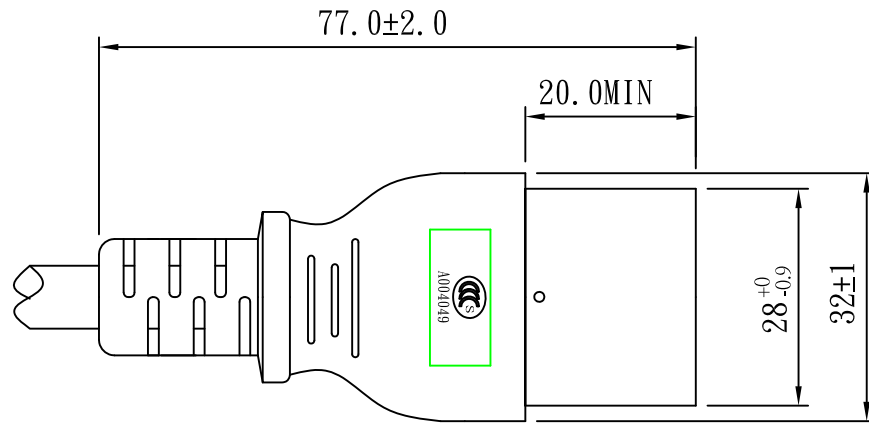
GB 2099
GB 1002



TOLERANCE >0±0.30 >1.0±0.50 >10.0±1.0 >20.0±2.0 Angle: ±1°	APPROVED		DATE		YUNG LI CO., LTD.			
	CHECKED		DATE					
	DRAWN		DATE					
	TYPE	YP-03A			P/N			
	DRAWING NO				MATERIAL	P.V.C	UNIT	mm
					SCALE	1:1		



IEC 60320 C19



Tolerance >0±0.30 >1.0±0.50 >10.0±1.0 >20.0±2.0 Angle: ±1°	Approved		Date		YUNG LI CO.,LTD			
	Checked		Date					
	Drawn		Date		Customer			
	Cat. No.	YC-18(CCC)			P/N.			
	Drawing No.	CY-C18CCC		Rev.	B	Material	P. V. C	Unit
					Scale			

YUNG LI CO., LTD

SPECIFICATION

Yung Li	Style	PVC FLEXIBLE CORDS	Document No
2019.4.17			
Edition	Size	H05VV-F 3G 1.5mm²	Page
A			1/2








1. Standard: IEC 60227 IEC60228

2. Construction & Dimension

	Item	Specification
Conductor	Size	3G 1.5mm ²
	Material	Annealed Bare Copper
	Construction	48/ ϕ 0.202±0.01
Insulation	Material	PVC
	Minimum Average Thickness	0.70mm
	Minimum Thickness at any point	0.53mm
	Diameter	3.05± 0.10
	Identification	Blue,Brown,Green/Yellow
Core Assembly	Core Twist	3-Core
	Filler	NA
	Assembly Pair	NA
Taping	Mylar Foil	NA
Shielded	A1-Mylar Foil	NA
Drain	Material	NA
	Construction	NA
Jacket	Material	NA
	Minimum Average Thickness	0.9mm
	Minimum Thickness at any point	0.67mm
	Overall Diameter(Approx)	8.5± 0.4
	Color	Any colour

Marking:

Yung Li Co., Ltd. H05VV-F 3G 1.5mm² <VDE> NF-USE 1347  KEMA-KEUR  <OVE>

     IEMMEQU SAA-190646-EA  A004049 60227 IEC 53(RVV) 300/500V  SU01027-4002

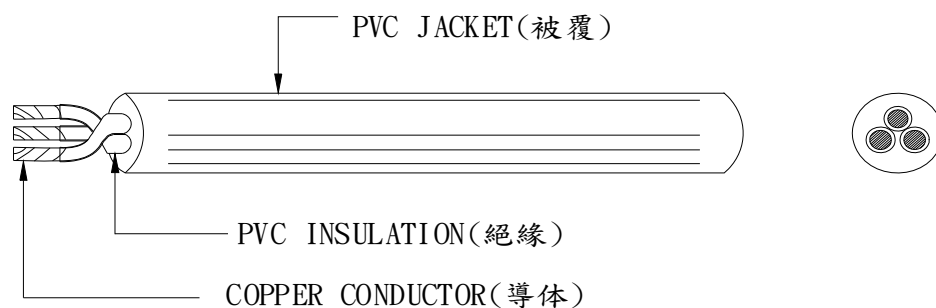
YUNG LI CO., LTD

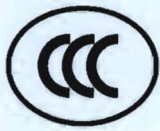
SPECIFICATION

Yung Li	Style	PVC FLEXIBLE CORDS	Document No
2019.4.17			
Edition	Size	H05VV-F 3G 1.5mm²	Page
A			2/2

4.Electrical & Physical Properties			
Item		Specification	
Rating Voltage		300/500V	
Maximum Temperature Rating		70°C	
Conductor resistance(AT 20°C)		13.3Ω/Km Max	
Insulation Resistance(AT 70°C)		0.010MΩ/Km Min	
Dielectric Strength		AC 2.0 KV / 15MIN No Break	
Spark Test		5KV	
Insulation	Unaged	Tensile Strength	1.02 kgf/mm ² min
		Elongation	150% Min
	Aged	Tensile Strength	80~120% (80°C x168hrs)
		Elongation	80~120% (80°C x168hrs)
	Loss of mass Test		2.0mg/cm ² (max)
	Jacket	Unaged	Tensile Strength
Elongation			150% Min
Aged		Tensile Strength	80~120% (80°C x168hrs)
		Elongation	80~120% (80°C x168hrs)
Loss of mass Test		2.0mg/cm ² (max)	
Deformation Test		70±4°C X 1hr ≤ 50%	
Cold Bend Test		-15°C x 4hr No Crack	
Heat Shock Test		150±2°C x 1hr No Crack	

Graph:





CERTIFICATE FOR CHINA COMPULSORY PRODUCT CERTIFICATION

CERTIFICATE NO.: 2011010101495709

Valid from: Jun.25,2021

Valid until: Jun.25,2026

NAME AND REGISTERED ADDRESS OF THE APPLICANT Yung Li Co.,Ltd.
Dapu Industrial Zone, Gangzi, Changping Town, Dongguan

NAME AND REGISTERED ADDRESS OF THE MANUFACTURER Yung Li Co.,Ltd.
Dapu Industrial Zone, Gangzi, Changping Town, Dongguan

NAME AND LOCATION OF THE FACTORY Yung Li Co.,Ltd.
Dapu Industrial Zone, Gangzi, Changping Town, Dongguan

PRODUCT MODEL(S) Cord set
YP-03A+YC-18 16A 250V ~ (配 60227IEC53 3×0.75mm²,60227IEC53 3×1mm²,60227IEC53 3×1.5mm²),YP-03A+YC-18L 16A 250V ~ (配 60227IEC53 3×0.75mm²,60227IEC53 3×1mm²,60227IEC53 3×1.5mm²),YP-03B+YC-18 16A 250V ~ (配 60227IEC53 3×0.75mm²,60227IEC53 3×1mm²,60227IEC53 3×1.5mm²),YP-03B+YC-18L 16A 250V ~ (配 60227IEC53 3×0.75mm²,60227IEC53 3×1mm²,60227IEC53 3×1.5mm²)

STANDARDS AND TECHNICAL REQUIREMENTS GB/T 15934-2008

This is to certify that the above mentioned product(s) complies with the requirements of implementation rules for compulsory certification(REFNO. CNCA-C02-01:2014)

The validity of the certificate is subject to positive result of the regular follow up inspection by issuing certification body until the expiry date.

Date of original issued: Aug.30,2011

Accredited by China National Accreditation Service for Conformity Assessment CNAS C001-P

The certificate information is available through the QR code below or CNCA' s website: www.cnca.gov.cn

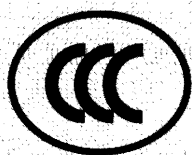


SIGNATURE:

陆梅

CHINA QUALITY CERTIFICATION CENTRE





CERTIFICATE FOR CHINA COMPULSORY PRODUCT CERTIFICATION

CERTIFICATE NO.: 2004010105138414

NAME AND ADDRESS OF THE APPLICANT

Yung Li Co.,Ltd.
Dapu Industrial Zone,Gangzi,Changping Town,Dongguan

NAME AND ADDRESS OF THE MANUFACTURER

Yung Li Co.,Ltd.
Dapu Industrial Zone,Gangzi,Changping Town,Dongguan

NAME AND ADDRESS OF THE FACTORY

Yung Li Co.,Ltd.
Dapu Industrial Zone,Gangzi,Changping Town,Dongguan

PRODUCT NAME, MODEL AND SPECIFICATION

PVC insulated flexible cables and wires
60227 IEC 52(RVV) 300/300V 0.5-0.75(2-3 芯); 60227 IEC 53(RVV) 300/500V 0.75-2.5(2-5 芯);

THE STANDARDS AND TECHNICAL REQUIREMENTS FOR THE PRODUCTS

GB/T 5023.5-2008/IEC60227-5:2003

This is to certify that the above mentioned product(s) complies with the requirements of implementation rules for compulsory certification(REFNO.CNCA-C01-01:2014).

Valid from: Nov.20,2020

Valid until: Nov.20,2025

The validity of the certificate is subject to positive result of the regular follow up inspection by issuing certification body until the expiry date.

Date of original issued: Jan.04,2005

The certificate information is available through CNCA's website: www.cnca.gov.cn

Accredited by China National Accreditation Service for Conformity Assessment (CNAS 004)



President:

Lu Mei



CHINA QUALITY CERTIFICATION CENTRE