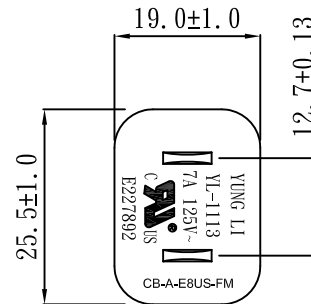
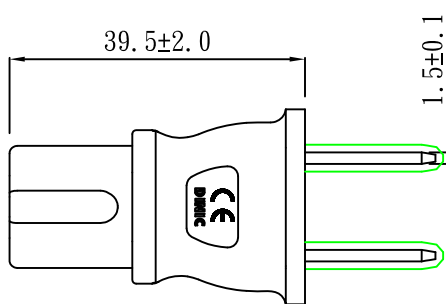
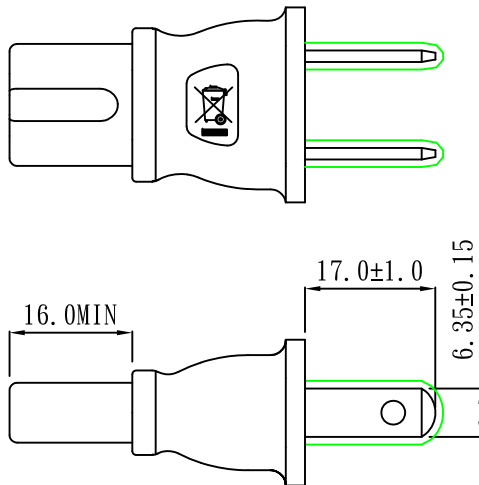
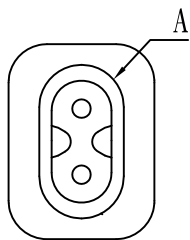


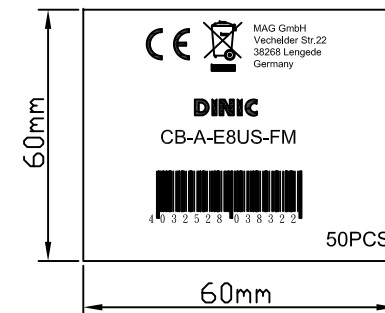
A:1.5:1



Note:

- 1.Rating:7A 125V
- 2.Insulation Resistance:100MΩ
- 3.Dielectric Voltage:2000V/sec

BAG LABEL :



外箱標籤:每箱貼一張



Tolerance >0±0.30 >1.0±0.50 >10.0±1.0 >20.0±2.0 Angle: ±1°	Approved		Date	YUNG LI CO., LTD.			
	Checked		Date				
	Drawn	黃海燕	Date	23.01.30	Customer	MAG	
	Cat. No.	YL-1113			P/N.		
	Drawing No.		Rev.	B	Material	P.V.C	Unit
				HEFT(g)			