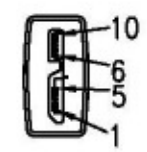
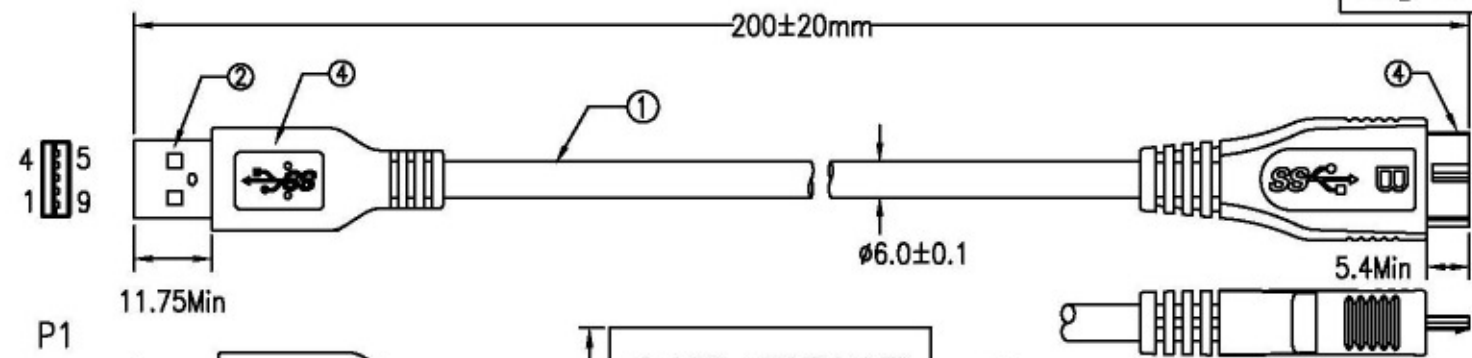
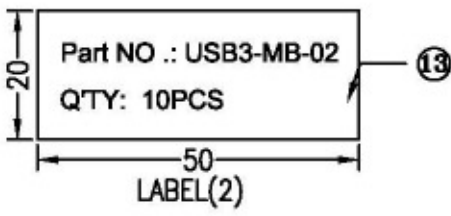


WEIGHT	CUSTOMER NO:	REMARK
15g-K1	USB3-MB-02	MAG

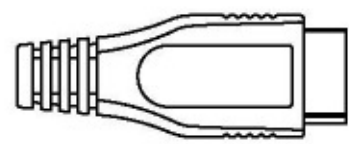


P2



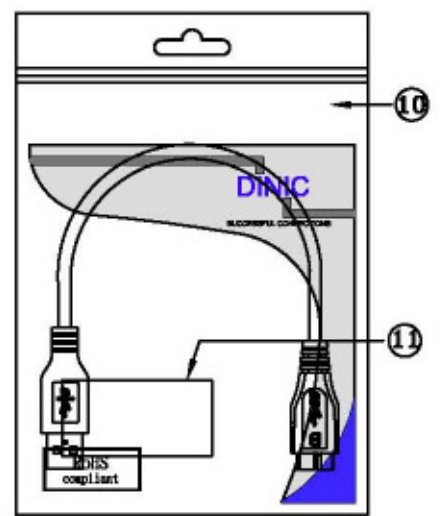
PINOUT: P1

P2



1	2	3	4	5	6	7	8	9	10
1 RED	2 WHITE	3 GREEN	5 BLACK	6 ORANGE	7 PURPLE	8 DRAIN	8 DRAIN	9 BLUE	10 YELLOW

SHELL ——— BRAID ——— SHELL



NOTES:

- 1) PRIMARY DIM:
- 2) RoHS Compliant.
- 3) DIE NO P1:OU04076. DIE NO P2:OU04082
- 4) 1PCS/SLIP BAG+LABEL(1),10PCS/BIG PE BAG+LABEL(2).

4	OUTER JACKET PVC 45Pa Black RoHS
3	Micro USB 3.0 B/M BLUE SOLDER TYPE TERMINAL&SHELL PLATED GOLD RoHS
2	USB3.0 A/M 9P BLUE SOLDER TYPE TERMINAL&SHELL PLATED GOLD ROHS
1	USB3.0 UL20276 (28#1P+A+D)*2+28#1P+24#2C+A+B+F OD:6.0mm Black(1101) 220mm RoHS

B	CHANGE DRAWING	JLan	24/04/10										
REV.	DESCRIPTION	C.N.	DATE										
<small>THESE DRAWINGS AND SPECIFICATIONS ARE THE PROPERTY OF WRETEX COMPUTER LIMITED AND SHALL NOT BE REPRODUCED COPIED OR USED IN ANY MANNER WITHOUT THE PRIOR WRITTEN CONSENT OF WRETEX COMPUTER LIMITED.</small>		<h1>DINIC</h1>											
<small>UNLESS OTHERWISE SPECIFIED DIMENSIONS ARE IN MILLIMETERS ANGULAR TOLERANCE: ±1.2°</small>													
<table border="1"> <tr> <th>DIMENSIONS</th> <th>TOLERANCE</th> </tr> <tr> <td>0.00 TO 30.00mm</td> <td>±0.10mm</td> </tr> <tr> <td>30.01 TO 80.00mm</td> <td>±0.13mm</td> </tr> <tr> <td>80.01 TO 150.00mm</td> <td>±0.15mm</td> </tr> <tr> <td>150.01mm +</td> <td>±0.20mm</td> </tr> </table>		DIMENSIONS	TOLERANCE	0.00 TO 30.00mm	±0.10mm	30.01 TO 80.00mm	±0.13mm	80.01 TO 150.00mm	±0.15mm	150.01mm +	±0.20mm	<b>TITLE</b> <b>USB 3.0 A/M TO Micro B/M</b>	
DIMENSIONS	TOLERANCE												
0.00 TO 30.00mm	±0.10mm												
30.01 TO 80.00mm	±0.13mm												
80.01 TO 150.00mm	±0.15mm												
150.01mm +	±0.20mm												
<table border="1"> <tr> <td>CHD.</td> <td>CONF.</td> </tr> <tr> <td>DR. JLan</td> <td>APPD.</td> </tr> </table>		CHD.	CONF.	DR. JLan	APPD.	<b>PART NO.</b> <b>2112-1101</b>							
CHD.	CONF.												
DR. JLan	APPD.												
<b>MATERIAL</b> FINISH		<b>SCALE</b> /	<b>SHEET</b> 1/1										
		<b>UNIT</b> MM	<b>SIZE</b> A4										
		<b>REV.</b> B											