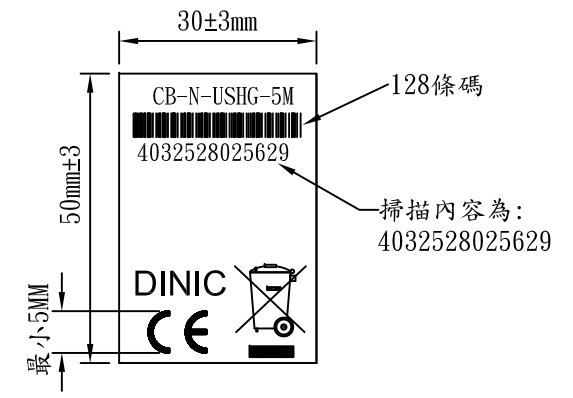
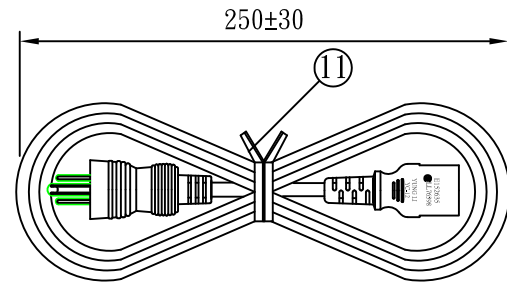
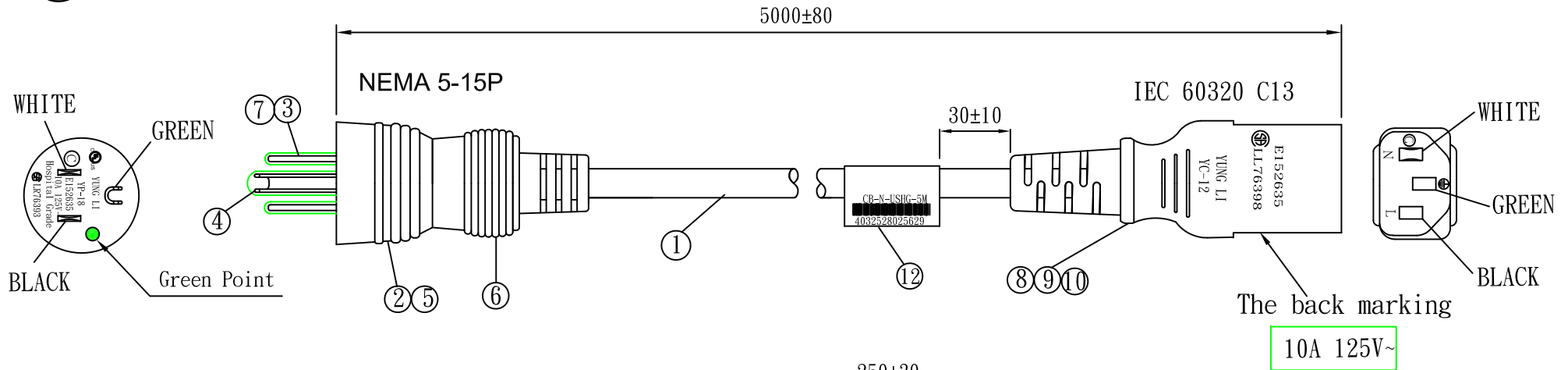


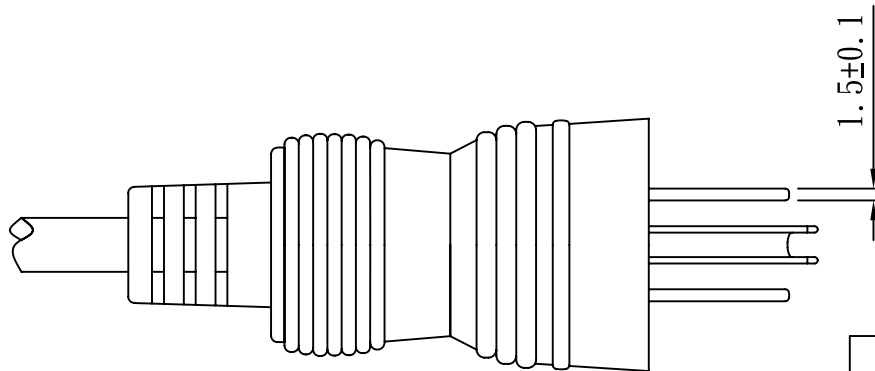
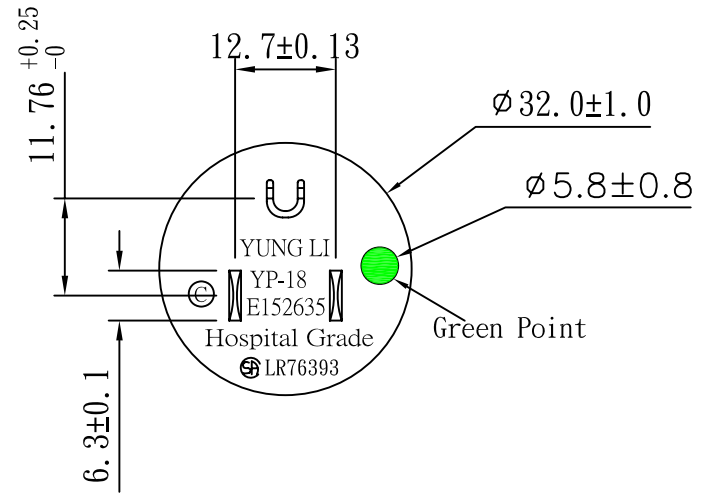
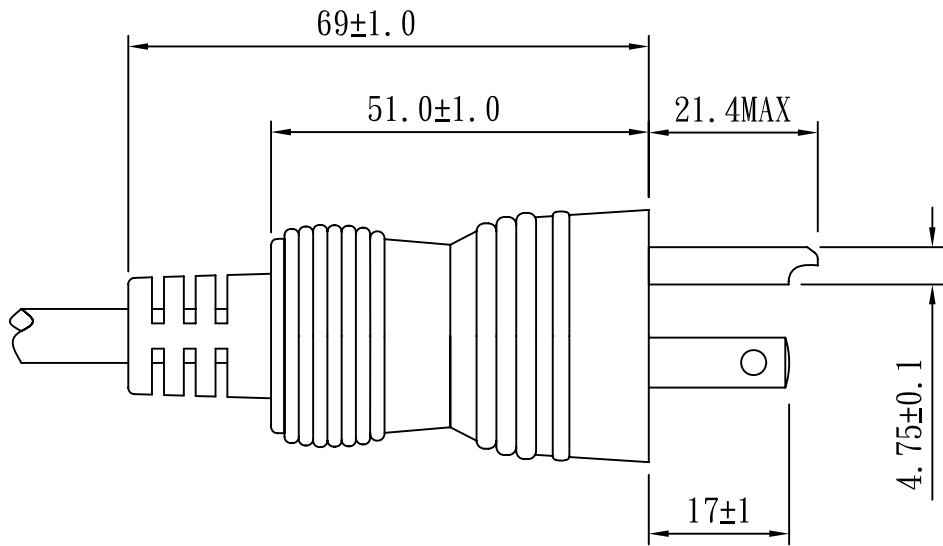


REV	DATE	DRAWN	description
C	2020. 01. 02	SUKI	added rating on the plug mold and removed the flag label.



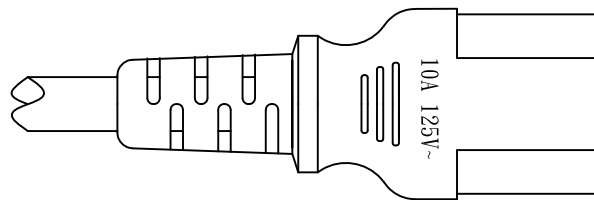
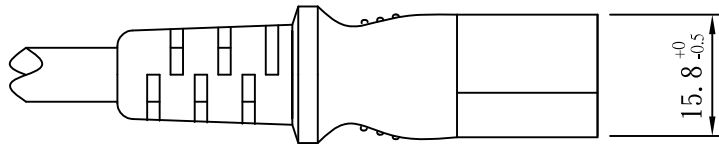
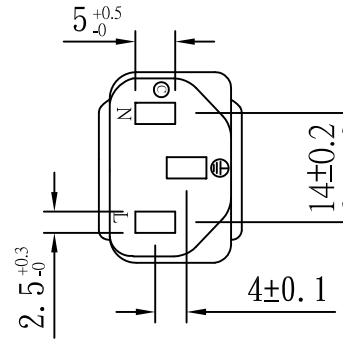
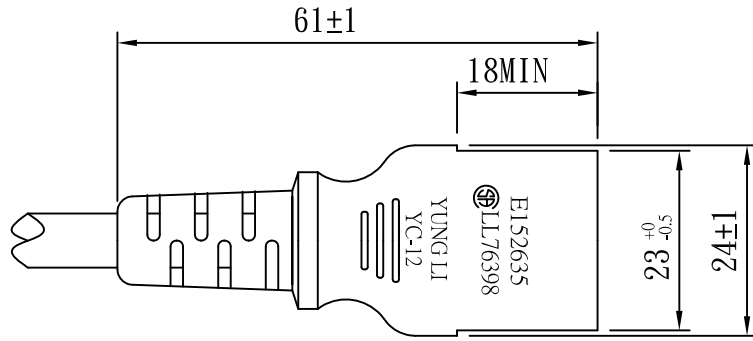
ITEM	DESCRIPTION	QTY	REMARK
1	SJT 18/3C 105 °C BLACK	1PC	
2	YP-18 PVC PLASTIC 35P BLACK	45g/PC	
3	TER:98693BL-1	2PCS	
4	TER:98478ABL-1	1PC	
5	YP-18 INNER BODY	1PC	
6	Ring: $\phi$ 9.5*2mm	1PC	
7	D-TYPE SLEEVE	1PC	
8	YC-12 PVC PLASTIC 50P BLACK	18g/PC	
9	"U" TER:97740BS-0	3PCS	
10	YC-12 INNER BODY	1PC	
11	MINI TIE:L=180mm BLACK	1PC	
12	LABEL: 50*30mm	1PC	

Tolerance >0±0.30 >1.0±0.50 >10.0±1.0 >20.0±2.0 Angle: ±1°	Approved		Date	<b>YUNG LI CO.,LTD</b>				
	Checked		Date					
	Drawn	SUKI	Date	2020. 01. 02	Customer	MAG		
	Cat. No.	YP-18/YC-12			P/N.	CB-N-USHG-5M		
	Drawing No.	CY-U6761		Rev.	C	Material	P. V. C	Unit
					Scale			



TOLERANCE >0±0.30 >1.0±0.50 >10.0±1.0 >20.0±2.0 Angle: ±1°	APPROVED		DATE		YUNG LI CO., LTD.			
	CHECKED		DATE					
	DRAWN	羅生英	DATE	09.06.13				
	TYPE	YP-18			P/N			
DRAWING NO	CY-P18U			MATERIAL	P.V.C	UNIT	mm	
				SCALE	1:1	⊕	▭	

# IEC320-C13



TOLERANCE >0±0.30 >1.0±0.50 >10.0±1.0 >20.0±2.0 Angle: ±1°	APPROVED		DATE		YUNG LI CO., LTD			
	CHECKED		DATE					
	DRAWN		DATE					
	TYPE	YC-12			P/N			
	DRAWING NO.		REV	B	SCALE	1:1	UNIT	mm

# YUNG LI CO., LTD

## SPECIFICATION

Yung-Li	Style	PVC FLEXIBLE CORDS	Document No
2007.8.02			
Edition	Size	<b>SJT 18/ 3C 105</b>	Page
A			1/2

1. Standard : UL 62 UL 1581

### 2. Construction & Dimension

	Item	Specification
Conductor	Size	18AWG X 3C
	Material	Annealed Bare Copper
	Construction	41/ 0.16±0.002
Insulation	Material	PVC
	Minimum Average Thickness	0.76mm
	Minimum Thickness at any point	0.69mm
	Diameter	2.75 ± 0.10
	Identification	Black White Green
Core Assembly	Core Twist	3-Core
	Filler	NA
	Assembly Pair	NA
Taping	Mylar Foil	NA
Shielded	A1-Mylar Foil	NA
Drain Wire	Material	NA
	Construction	NA
Jacket	Material	PVC
	Minimum Average Thickness	0.76mm
	Minimum Thickness at any point	0.61mm
	Overall Diameter(Approx)	7.8 ± 0.15
	Color	Any Color

### Marking :

YUNG LI (UL) E241374 SJT 3/C 18AWG(0.824mm<sup>2</sup>) 105 300V VW-1  
 CSA 177323 SJT 3/C 18AWG(0.824mm<sup>2</sup>) 105 300V FT2

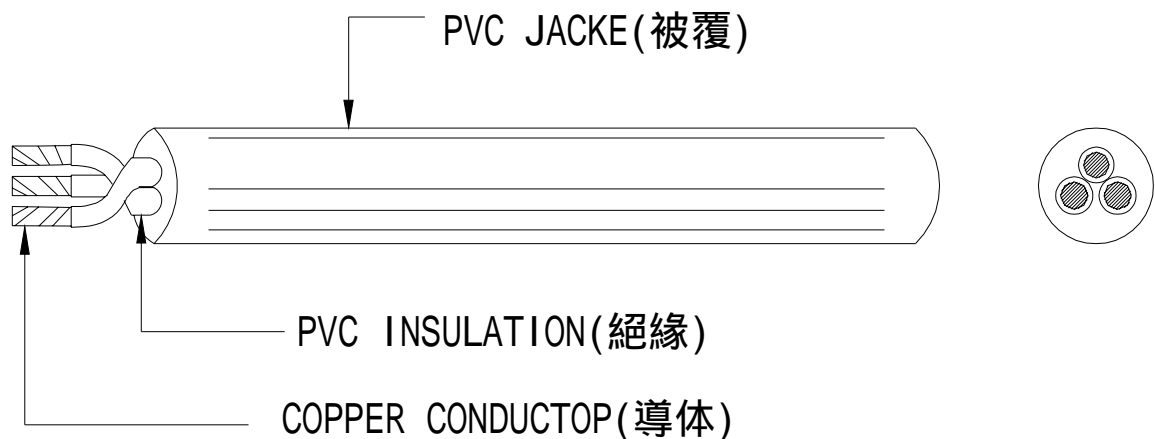
# YUNG LI CO., LTD

## SPECIFICATION

Yung-Li	Style	PVC FLEXIBLE CORDS	Document No
2007.8.02			
Edition	Size	<b>SJT 18/ 3C 105</b>	Page
A			2/2

3. Electrical & Physical Properties			
Item		Specification	
Rating Voltage		300V	
Insulation Resistance		0.76MΩ/Km 15.0 Min	
Dielectric Strength		AC 2.0KV/1 min No Crack	
Spark Test		6KV/0.15 Sec	
Insulation	Unaged	Tensile Strength	1500 lbs/in <sup>2</sup> min
		Elongation	100% Min
	Aged	Tensile Strength	Min 85%(136±1 x168hrs)
		Elongation	Min 65%(136±1 x168hrs)
Jacket	Unaged	Tensile Strength	1500 lbs/in <sup>2</sup> min
		Elongation	100% Min
	Aged	Tensile Strength	Min 85%(136±1 x168hrs)
		Elongation	Min 45%(136±1 x168hrs)
Deformation Test		121±1 m X 1hr 50%	
Cold Bend Test		-20 x 4hr No Crack	
Heat Shock Test		121±1 x 1hr No Crack	

**Graph:**





## ELBZ7.E152635

## Cord Sets and Power-supply Cords Certified for Canada

Page Bottom

## Cord Sets and Power-supply Cords Certified for Canada

[See General Information for Cord Sets and Power-supply Cords Certified for Canada](#)

YUNG LI CO LTD

E152635

1ST FL

10 LANE 235 PAO-CHIAO RD

HSIN-TIEN, TAIPEI HSIEN 231 TAIWAN

## Power-supply cords

Cat. No.	ANSI/NEMA WD6 Config	Cord AWG	Cord Type	Electrical Rating Amps V
YP-11	1-15	18/2	SPT-1, SPT-1W, NISPT-1, SPT-2, SPT-2W, NISPT-2, SPT-3, HPN, SVT, SVTO, SJT, SJTW, SJTO, SJTOW, SV, SVO, SJ, SJO, SJOW, SJOOW	10/125
		17/2	SVT, SVTO, SV, SVO, SJ, SJO, SJOW, SJOOW	12/125
		16/2	SPT-2, SPT-2W, NISPT-2, SPT-3, SVT, SVTO, SJT, SJTW, SJTO, SJTOW, SV, SVO, SJ, SJO, SJOW, SJOOW	13/125
		16/2	HPN	15/125
		14/2	SPT-3, SJT, SJTW, SJTO, SJTOW, SJ, SJO, SJOW, SJOOW	15/125
YP-11W	1-15P	18/2	SPT-1, SPT-1W, NISPT-1, SPT-2, SPT-2W, NISPT-2, SPT-3, HPN, SVT, SVTO, SJT, SJTW, , SJTO, SJTOW, SV, SVO, SJ, SJO, SJOW, SJOOW	10/125
		17/2	SVT, SVTO, SV, SVO, SJ, SJO, SJOW, SJOOW	12/125
		16/2	SPT-2, SPT-2W, NISPT-2, SPT-3, SVT, SVTO, SJT, SJTW, SJTO, SJTOW, SV, SVO, SJ, SJO, SJOW, SJOOW	13/125
		16/2	HPN	15/125
		14/2	SPT-3, SJT, SJTW, SJTO, SJTOW, SJ, SJO, SJOW, SJOOW	15/125
YP-11C	1-15	18/2	NISPT-1, NISPT-2	10/125
YP-12	5-15	18/3	SVT, SVT Shielded, SVTO, SJT, SJT Shielded, SJTW, SJTW Shielded, SJTO, SJTO Shielded, SJTOW, SJTOW Shielded, ST, ST Shielded, STW, STW Shielded, STOW, STOW Shielded, SV, SVO, SJ, SJ Shielded, SJO, SJO Shielded, SJOO, SJOO Shielded, SJOW, SJOW Shielded, SJOOW, SJOOW Shielded, S, SO, SO Shielded, SOO, SOO Shielded, SOW, SOW Shielded, SOOW, SOOW Shielded, SPT-2, SPT-3	10/125
		17/3	SVT, SVTO, SV, SVO	12/125
		16/3	SVT, SVT Shielded, SVTO, SJT, SJT Shielded, SJTW, SJTW Shielded, SJTO, SJTO Shielded, SJTOW, SJTOW Shielded, ST, ST Shielded, STW, STW Shielded, STOW, STOW Shielded, SV, SVO, SJ, SJ Shielded, SJO, SJO Shielded, SJOO, SJOO	13/125

		14/3	SJT, SJTW, SJTO, SJTOW, ST, STW, STOW, SJ, SJO, SJOW, SJOOW, S, SO, SOW, SOOW, SPT-3	18/125
		12/3	SJT, SJTW, SJTO, SJTOW, ST, STW, STOW, SJ, SJO, SJOW, SJOOW, S, SO, SOW, SOOW, SPT-3SPT-3, S, SJ, SJO, SJOW, SJOOW	20/125
YP-17L	5-20	18/3	SJT, SJTW, SJTO, SJTOW, ST, STW, STOW, SO, SOW, SOOW	10/125
		16/3	SJT, SJTW, SJTO, SJTOW, ST, STW, STOW, SO, SOW, SOOW	13/125
		14/3	SJT, SJTW, SJTO, SJTOW, ST, STW, STOW, SO, SOW, SOOW, SPT-3	18/125
		12/3	SJT, SJTW, SJTO, SJTOW, ST, STW, STOW, SO, SOW, SOOW, SPT-3	20/125
YP-18	5-15	18/3	SJT, SJTW, SJTO,	10/125
			SJTOW	
		16/3	SJT, SJTW, SJTO,	13/125
			SJTOW	
		14/3	SJT, SJTW, SJTO,	15/125
			SJTOW	
YP-18L	5-15	18/3	SJT, SJTW, SJTO,	10/125
			SJTOW	
		16/3	SJT, SJTW, SJTO,	13/125
			SJTOW	
		14/3	SJT, SJTW, SJTO,	15/125
			SJTOW	
YP-18N	5-15	18/3	SJT, SJTW, SJTO, SJTOW, ST, STW, STOW, SO, SOW, SOOW	10/125
		16/3	SJT, SJTW, SJTO, SJTOW, ST, STW, STOW, SO, SOW, SOOW	13/125
		14/3	SJT, SJTW, SJTO, SJTOW, ST, STW, STOW, SO, SOW, SOOW, SJ, SJO, SJOW	15/125
		12/3	SJT, SJTW, SJTO, SJTOW, ST, STW, STOW, SO, SOW, SOOW, SJ, SJO, SJOW	15/125
YP-18T	5-15	18/3	SJT, SJTW, SJTO, SJTOW, ST, STW, STOW	10/125
		16/3	SJT, SJTW, SJTO, SJTOW, ST, STW, STOW	13/125
		14/3	SJT, SJTW, SJTO, SJTOW, ST, STW, STOW	15/125
		12/3	SJT, SJTW, SJTO, SJTOW, ST, STW, STOW	15/125
YP-19	6-15	18/3	SVT, SVT Shielded, SVTO, SJT, SJT Shielded, SJTW, SJTW Shielded, SJTO, SJTOW, ST, STW, STOW, SV, SVO, SJ, SJO, SJOW, SJOOW, S, SO, SOW, SOOW, SPT-2, SPT-3	10/250
		17/3	SVT, SVTO, SV, SVO	12/250
		16/3	SVT, SVTO, SJT, SJTW, SJTO, SJTOW, ST, STW, STOW, SV, SVO, SJ, SJO, SJOW, SJOOW, S, SO, SOW, SOOW, SPT-2, SPT-3	13/250
		14/3	SJT, SJTW, SJTO, SJTOW, ST, STW, STOW, SJ, SJO, SJOW, SJOOW, S, SO, SOW, SOOW, SPT-3	15/250
		12/3	SJT, SJTW, SJTO, SJTOW, ST, STW, STOW, SJ, SJO, SJOW, SJOOW, S, SO, SOW, SOOW, SPT-	15/250

			SJOO, SJOOW, S, SO, SOW, SOO, SOOW	
		12/5	SJT, SJTW, SJTO, SJTOW, SJTOO, SJTOOW, ST, STW, STO, STOW, STOO, STOOW, SJ, SJO, SJOW, SJOO, SJOOW, S, SO, SOW, SOO, SOOW	20A/120/208; 3-phase
		10/5	SJT, SJTW, SJTO, SJTOW, SJTOO, SJTOOW, ST, STW, STO, STOW, STOO, STOOW, SJ, SJO, SJOW, SJOO, SJOOW, S, SO, SOW, SOO, SOOW	20A/120/208; 3-phase
YP-62	L22-20P	14/5	SJT, SJTW, SJTO, SJTOW, SJTOO, SJTOOW, ST, STW, STO, STOW, STOO, STOOW, SJ, SJO, SJOW, SJOO, SJOOW, S, SO, SOW, SOO, SOOW	15A/277/480; 3-phase
		12/5	SJT, SJTW, SJTO, SJTOW, SJTOO, SJTOOW, ST, STW, STO, STOW, STOO, STOOW, SJ, SJO, SJOW, SJOO, SJOOW, S, SO, SOW, SOO, SOOW	20A/277/480; 3-phase
		10/5	SJT, SJTW, SJTO, SJTOW, SJTOO, SJTOOW, ST, STW, STO, STOW, STOO, STOOW, SJ, SJO, SJOW, SJOO, SJOOW, S, SO, SOW, SOO, SOOW	20A/277/480; 3-phase
YP-64	L23-20P	14/5	SJT, SJTW, SJTO, SJTOW, SJTOO, SJTOOW, ST, STW, STO, STOW, STOO, STOOW, SJ, SJO, SJOW, SJOO, SJOOW, S, SO, SOW, SOO, SOOW	15A/347/600; 3-phase
		12/5	SJT, SJTW, SJTO, SJTOW, SJTOO, SJTOOW, ST, STW, STO, STOW, STOO, STOOW, SJ, SJO, SJOW, SJOO, SJOOW, S, SO, SOW, SOO, SOOW	20A/347/600; 3-phase
		10/5	SJT, SJTW, SJTO, SJTOW, SJTOO, SJTOOW, ST, STW, STO, STOW, STOO, STOOW, SJ, SJO, SJOW, SJOO, SJOOW, S, SO, SOW, SOO, SOOW	20A/347/600; 3-phase

**Special-use cord sets**

Cat. No.	IEC 320 Config	Cord AWG	Cord Type	Electrical Rating Amps V
YC-11	IEC C17	18	SPT-1, SPT-2, NISPT-1, NISPT-2, SPT-3, SVT, SJT, SJTO, SJTOW, ST, STW, STOW, SO, SOW, SOOW	10/125 or 250
		16	SPT-2, NISPT-2, SPT-3, SVT, SJT, SJTW, SJTO, SJTOW, ST, STW, STOW, SO, SOW, SOOW	13/125 or 250
YC-12, YC-12L, YC-12L-1, YC-12L-2, YC-12L-3	IEC C13	18	SVT, SJT, SJTW, SJTO, SJTOW, SJ, SJO, SJOO, SJOW, SJOOW, ST, STW, STOW, SO, SOO, SOW, SOOW (Shielded or Non-Shielded for above types), SPT-2, SPT-3	10/125 or 250
		16	SJT, SJTW, SJTO, SJTOW, ST, STW, STOW, SJ, SJO, SJOO, SJOW, SJOOW, SO, SOO, SOW, SOOW (Shielded or Non-shielded for above types), SPT-3	13/125 or 250
		14	SJT, SJTW, SJTO, SJTOW, ST, STW, STOW, SJ, SJO, SJOO, SJOW, SJOOW, SO, SOO, SOW, SOOW (Shielded or Non-shielded for above types), SPT-3	15/125 or 250
		12	SJT, SJTW, SJTO, SJTOW, ST, STW, STOW, SJ, SJO, SJOO, SJOW, SJOOW, SO, SOO, SOW, SOOW (Shielded or Non-shielded for all types)	15/125 or 250
YC-12(A.C.1)	IEC C13	12	SJT, SJTW, SJTO, SJTOW, ST, STW, STOW, SO, SOW, SOOW, SPT-3	125/250
		10	SJT, SJTW, SJTO, SJTOW, ST, STW, STOW, SO, SOW, SOOW	125/250
YC-12C	IEC C13	18	NISPT-2	125/250
		16	NISPT-2	125/250
YC-13	IEC C7	18	SPT-1, SPT-1W, SPT-2, SPT-2W, NISPT-1, NISPT-2, SVT, SJT	2.5/250 or 10/125
YC-13W	IEC	18	SPT-1, SPT-1W, SPT-2, SPT-2W, NISPT-1, NISPT-2, SVT,	2.5/250 or



# Certificate of Compliance

**Certificate:** 2118751 **Master Contract:** 177323 (LR 76393)  
**Project:** 2118751 **Date Issued:** March 23, 2009  
**Issued to:** Yung Li Company Ltd.  
 1F No 10 Lane 235 Pao Chiao Rd  
 Hsin Tien City, Taipei Hsien  
 TAIWAN  
 Attention: Mr. W. T. Lai

*The products listed below are eligible to bear the CSA Mark shown*



**Issued by:** Sebastian George, P. Eng.

**Authorized by:**   
 Jupiter Huang  
 Certifier

## PRODUCTS

CLASS – 5842 02 - CORD SETS - Power Supply Cords

Power supply cords consisting of the following plug caps moulded on flexible cords as indicated:

Plug Cap		Flexible Cord	
Cat No	Configuration	AWG	Type
YP-18, YP-18L	5-15P, Hospital Grade	14, 16, 18	SJT, SJTW, SJTOW, SJTOOW

Note: These are Certified only for supply to manufacturers for the assembly, as components, of Certified electrical equipment where the suitability of the combination is determined by the CSA International.

## APPLICABLE REQUIREMENTS

- |                          |       |   |  |
|--------------------------|-------|---|--|
| CAN/CSA-C22.2 No.        | 21-95 | - | Cord Sets and Power Supply Cords                                     |
| CSA Standard C22.2 No    | 42-99 | - | General Use Receptacles, Attachment Plugs and Similar Wiring Devices |
| INFORMS: Cord Sets No 7A |       | - | Production-Line Test for Cord Sets and Power-Supply Cords            |



## *Supplement to Certificate of Compliance*

Certificate: 2118751

Master Contract: 177323 (LR76393)

*The products listed, including the latest revision described below,  
are eligible to be marked in accordance with the referenced Certificate.*

### **Product Certification History**

---

<b>Project</b>	<b>Date</b>	<b>Description</b>
2118751	March 23, 2009	Original Certification.



The company named below has been authorized by CSA to represent the products listed in this record as "CSA Certified" and to affix the CSA Mark to these products according to the terms and conditions of the CSA Service Agreement and applicable CSA program requirements (including additional Markings).

File No: 076398 0 000

Class No: 5841 03 CORD SETS Special-use Cord Sets

**SUBMITTOR**

Yung Li Company Ltd.  
4554507 1F No 10 Lane 235 Pao Chiao Rd  
Hsin Tien City  
Taipei Hsien,  
Taiwan

**FACTORY**

Yung Li Company Ltd.  
4554507 1F No 10 Lane 235 Pao Chiao Rd  
Hsin Tien City  
Taipei Hsien,  
Taiwan

June 18, 2002(Replaces:June 7, 2002)

TO THE REQUIREMENTS OF CSA STD C22.2 NO. 21-95:

- Special-use cord sets consisting of the following connector bodies moulded onto any of the submittor's Certified power supply cords indicated:

**Power Supply Cord**

Connector Body		Plug Cap		Flexible Cord	
Cat No.	Rating	Cat No	Config	AWG	Type
YC-12(Sp23)	10A, 125V	YP-12	5-15P	18	SJT, SVT, SVT (Sh), SPT-2
	13A, 125V	YP-12	5-15P	16	SJT
	15A, 125V	YP-12	5-15P	14	SJT
	10A, 125V	YP-32 (Sd)	(SP23)	18	SJT, SVT, SVT (Sh)
YC-14(SP23)	10A, 125V	YP-12	5-15P	18	SJT, SVT, SPT-2

LEGEND: "(Sp23)" Special use, 2-pole, 3 wire grounding type; "(Sd)" Shrouded; "(Sh)" Shielded.

**ZJCZ.E241374**  
**Flexible Cord**[Page Bottom](#)

---

**Flexible Cord**[See General Information for Flexible Cord](#)**YUNG LI CO LTD**

E241374

1ST FL

10 LANE 235 PAO-CHIAO RD

HSIN-TIEN, TAIPEI HSIEN 231 TAIWAN

**Jacketed cords**, Type SJTW, STW, SJTO, SJTOW, STO, STOW, SJ, S, SJO, SO, SVT, SVTO, SJT, ST, SJOW, SJOOW, SOW, SOOW, SJOO, SOO.

**Parallel cords**, Type SPT-1, SPT-2, SPT-3, SPT-1W, SPT-2W, NISPT-1, NISPT-2.

**Rang and dryer cord**, Type SRDT.

[Last Updated on 2007-02-12](#)

---

[Questions?](#)[Notice of Disclaimer](#)[Page Top](#)[Copyright © 2007 Underwriters Laboratories Inc.®](#)

The appearance of a company's name or product in this database does not in itself assure that products so identified have been manufactured under UL's Follow-Up Service. Only those products bearing the UL Mark should be considered to be Listed and covered under UL's Follow-Up Service. Always look for the Mark on the product.

UL permits the reproduction of the material contained in the Online Certification Directory subject to the following conditions: 1. The Guide Information, Designs and/or Listings (files) must be presented in their entirety and in a non-misleading manner, without any manipulation of the data (or drawings). 2. The statement "Reprinted from the Online Certifications Directory with permission from Underwriters Laboratories Inc." must appear adjacent to the extracted material. In addition, the reprinted material must include a copyright notice in the following format: "Copyright © 2007 Underwriters Laboratories Inc.®"

An independent organization working for a safer world with integrity, precision and knowledge.





# Certificate of Compliance

**Certificate:** 1594794 (LL 76398)

**Master Contract:** 177323

**Project:** 2616524

**Date Issued:** April 3, 2013

**Issued to:** Yung Li Company Ltd.

1F No 10 Lane 235 Pao Chiao Rd  
Hsin Tien City  
Taipei Hsien,  
Taiwan  
Attention: Wendy Wu

*The products listed below are eligible to bear the CSA Mark shown*



*Kim Nguyen*

**Issued by:** Kim Nguyen, P. Eng.

## **PRODUCTS**

**CLASS 5831 01** - WIRES - Flexible Cord

Types SPT-1, NISPT-1, SPT-2, NISPT-2, SPT-3, SVT, SVTO, SJT, SJTW, SJTO, SJTOW, ST, STW, STO, STOW with PVC insulation and jacket, rated 60C, 75C, 90C and 105C, FT1, FT2, VW-1.

## **APPLICABLE REQUIREMENTS**

CSA C22.2 No 49 - Flexible Cords and Cables