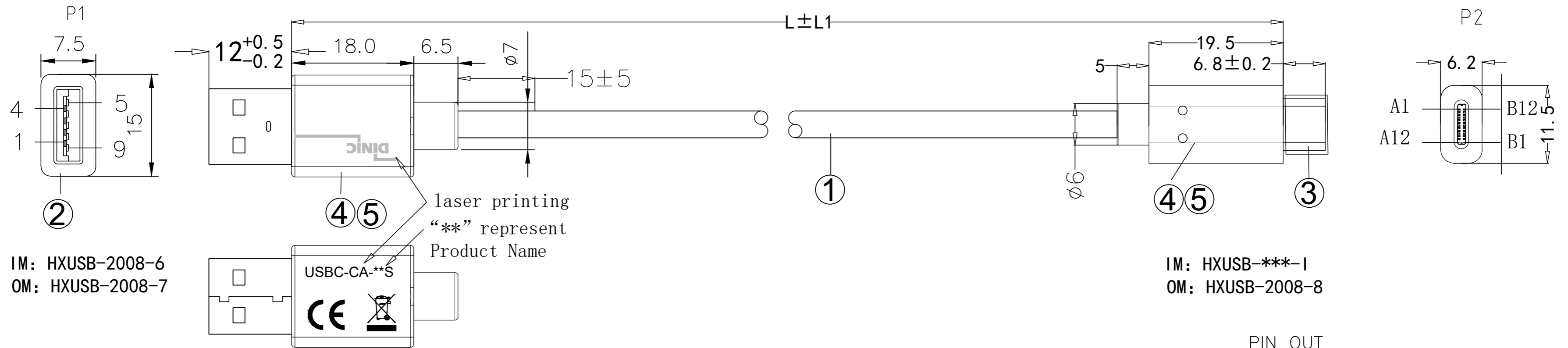


REV	MODIFICATION	DATE
A	ISSUE	2021.11.30

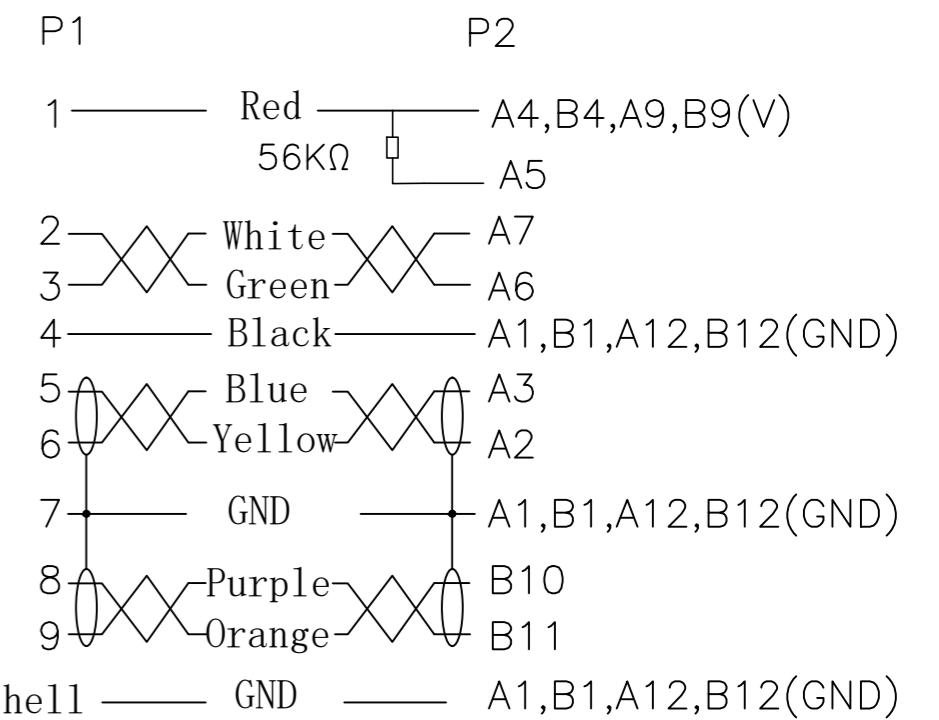


IM: HXUSB-2008-6  
OM: HXUSB-2008-7

IM: HXUSB-\*\*\*-1  
OM: HXUSB-2008-8

HX P/N	Name	L±L1
201930107	USBC-CA-05S-PB	500±20
201930108	USBC-CA-1S-PB	1000±20

PIN OUT



ELECTRONIC TEST:

- A.OPEN/SHORT/INTERMITTENCE: 100%.
- B.CONDUCTIVE RESISTANCE:2 OHM (MAX)
- C.USB SPEED READING/WRITING:350MB/S Reading, 300MB/S Writing

⑥	Dust Cap	USB C Male Dust Proof Cap	1	PCS			
⑤	MOLDED	45P BLACK PVC	13	G	角法 PROJ:	容忍公差 TOLERANCE: XX= XXX=	产品名称 PRODUCT NAME: <b>USBC-CA-05S, 1S</b>
④	MOLDED	LDPE	5	G	比例 SCALE: NONE	版本 REV: B	产品料号 PART NO: <b>201930107, 0108</b>
③	CONNECTOR	USB3.1 C Male TYPE Pin Gold Plate Shell nickel plated+PCBA with up pull 56KΩ	1	PCS	单位 UNIT: MM	页次 SHEET: 1/2	客户 CUST: <b>MAG</b>
②	CONNECTOR	USB3.0 A Male Pin Gold Plated Blue Insulation Frame Shell nickel Plated	1	PCS	客户回签 SUST APPROVED:		
①	CABLE	[(7/0.10TC)*1P+D(7/0.10TC)+AL+ML]*2+(7/0.10TC)*1P+24#(7/0.2TC)*2C+D(1/0.254BC)+B(64*0.12AL-MG) Black PVC Jacket OD:4.5±0.2MM Marking: E***** 兄 AWM STYLE 20276 80° C 30V VW-1 SUPER HIGH SPEED USB Revision 3.1	L	MM	核准 APPROVED:		
NO	NAME		Q'TY	UNIT	制图 DRAWING: 2021.11.30		