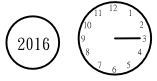
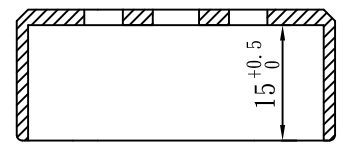
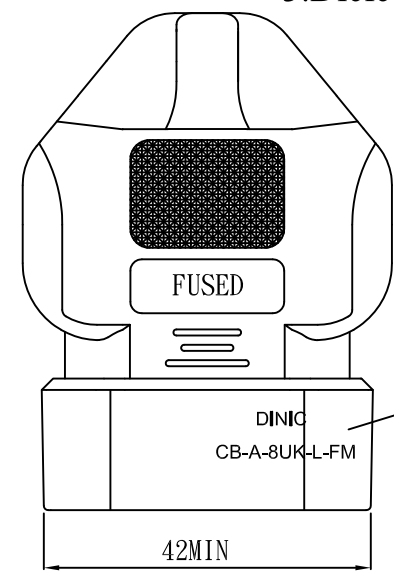
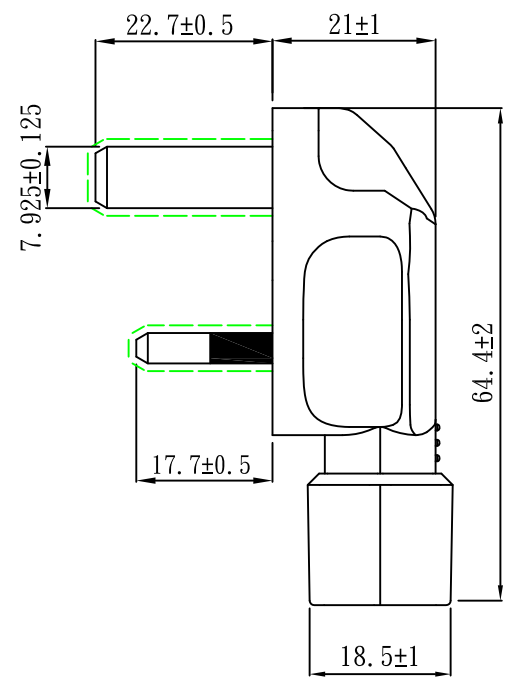
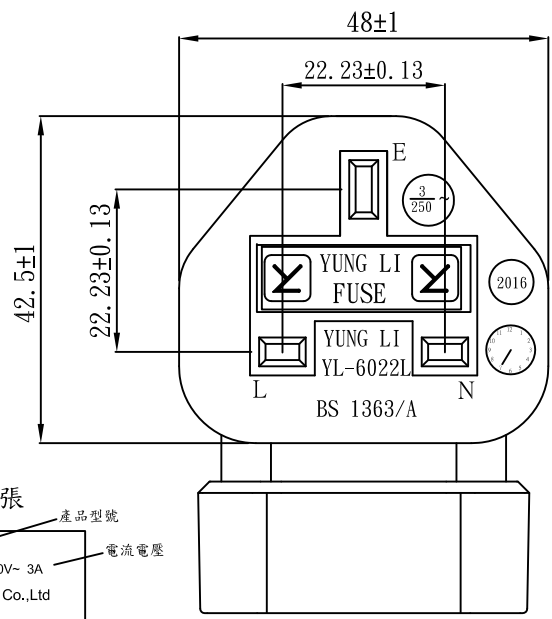


MARKING: YL-6022L YUNG-LI 3/250~ BS1363/A



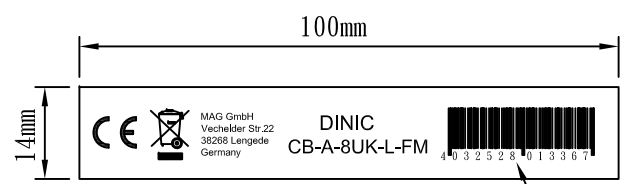
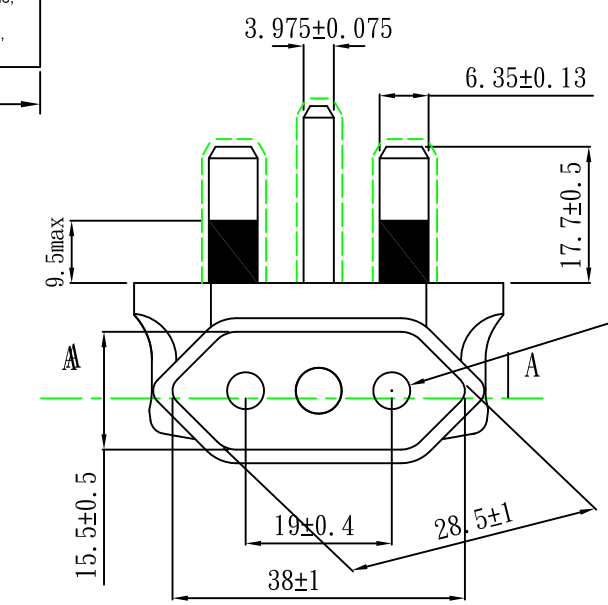
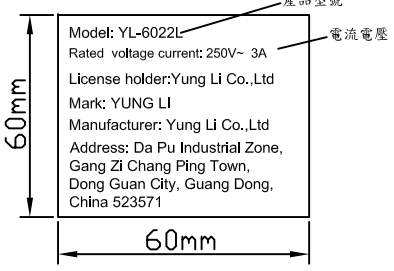
Note:
 1. Rating: 3A 250V
 2. Insulation Resistance: 100MΩ
 3. Dielectric Voltage: 2000V/sec



A--A

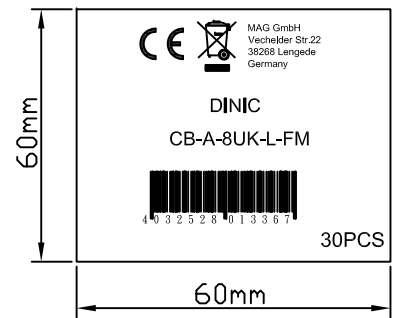
平齊此處貼標籤, 文字方向如圖, 條碼貼在平面上, 以便掃描

外箱標籤: 每箱貼一張



掃描內容為:
4032528013367

袋子標籤: 每袋裝30PCS, 貼一張標籤



TOLERANCE >0±0.30 >1.0±0.50 >10.0±1.0 >20.0±2.0 Angle: ±1°	APPROVED		DATE		YUNG LI CO., LTD			
	CHECKED		DATE					
	DRAWN	SUKI	DATE	22.07.04	CUSTOMER	MAG		
	TYPE	YL-6022L(3A)			P/N	CB-A-8UK-L-FM		
	DRAWING NO.	CY-A6022L-08	REV	B	MATERIAL	P.V.C	UNIT	mm
				SCALE	1:1			