

# 東莞永力電業有限公司

YUNG LI CO., LTD

Da Pu Industrial Zone, Gang Zi, Changping Town,  
Dong Guan City, Guangdong 523571 China.P.R.C

TEL:0769-83396797~8

FAX:0769-83396796

E-mail: sales@yung-li.com

Description: YP-61A/YC-12

Customer: MAG

Parts No. : CB-N-UK-5M

Draw No. :

## *REVISION RECORD*

1		
2		
3		
4		
5		

YUNG LI	
CHECKED	PREPARED BY

CUSTOMER	APPROVED

MARKING: YP-61A YUNG-LI 10/250

BS1363/A (2018) MADE IN CHINA



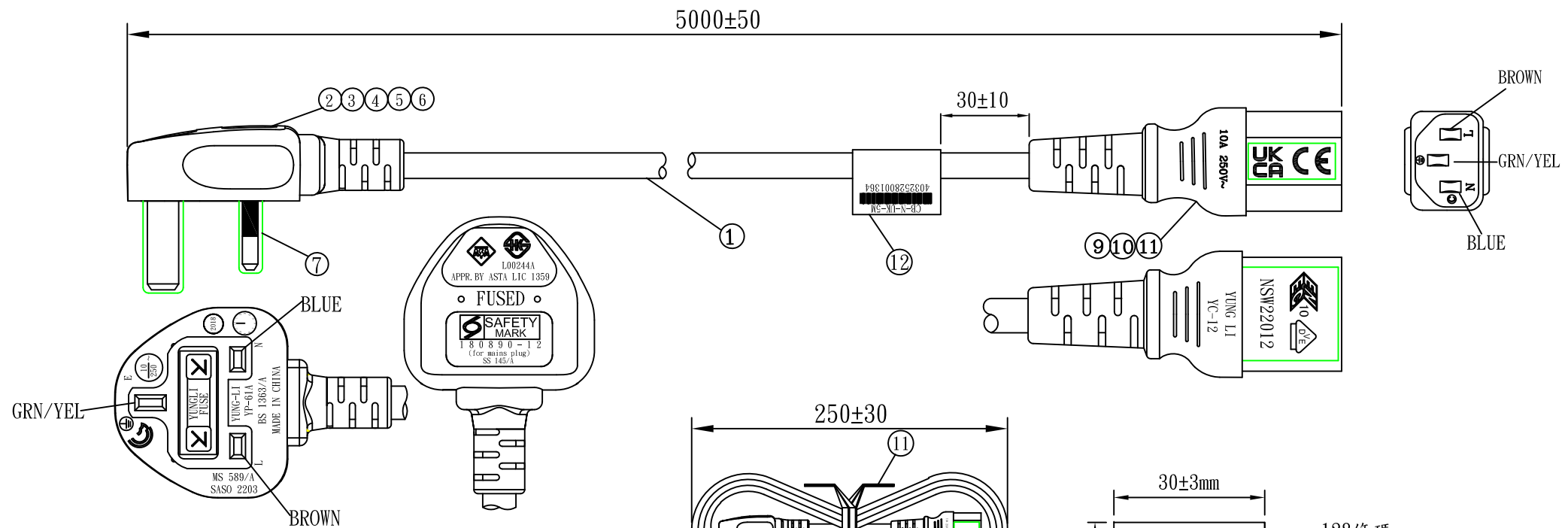
APPR. BY ASTA LIC 1359



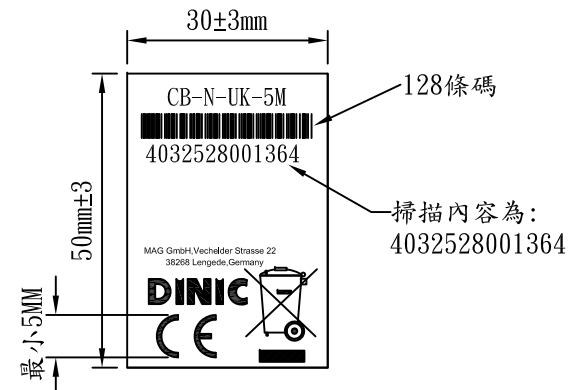
SASO 2203 MS 589/A



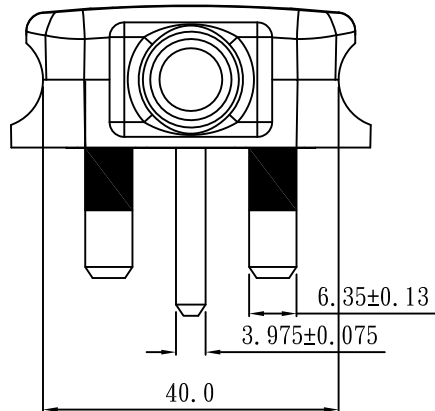
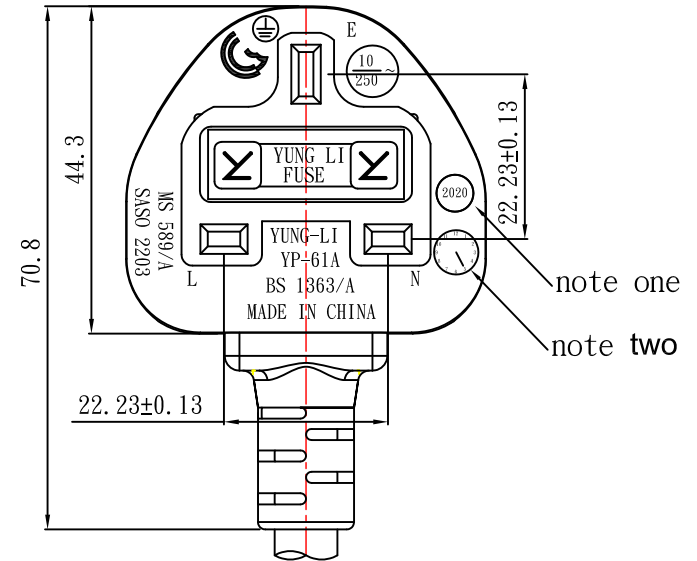
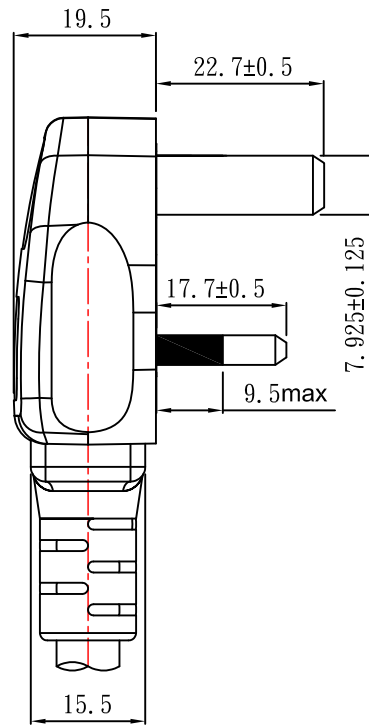
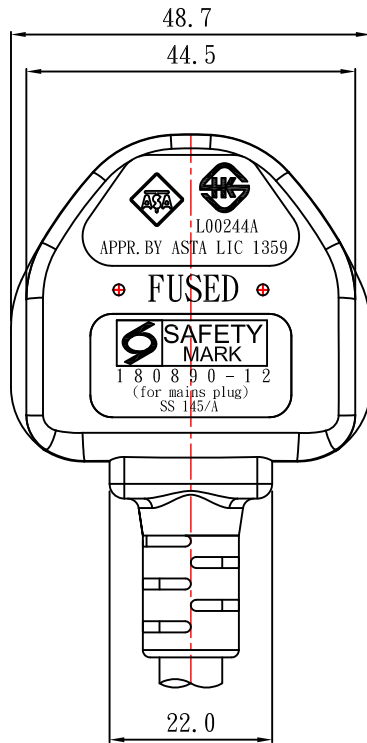
NSW22012



NO.	SPECIFICATION	QTY	REMARK
1	H05VV-F 3G 1.0mm <sup>2</sup> BLACK	1PC	
2	YP-61A PVC PLASTIC:60P BLACK	54g/PC	
3	FRAME: BLACK	1PC	
4	FUSE LID: BLACK	1PC	
5	FRAME LID	1PC	
6	FUSE:10A	1PC	
7	SLEEVE WHITE	1PC	
8	YC-12 INNER BODY	1PC	
9	TER:97740BS-0	3PCS	
10	YC-12 PVC PLASTIC:50P BLACK	18g/PC	
11	MINI TIE:L=180mm BLACK	1PC	
12	LABEL:50x30mm	1PC	



Tolerance >0±0.30 >1.0±0.50 >10.0±1.0 >20.0±2.0 Angle: ±1°	Approved		Date		<b>YUNG LI CO.,LTD</b>			
	Checked		Date					
	Drawn	SUKI	Date	22. 11. 29	Customer	MAG		
	Cat. No.	YP-61A/YC-12			P/N.	CB-N-UK-5M		
	Drawing No.	CY-B0446		Rev.	B	Material	P.V.C	Unit
					HEFT(g)			



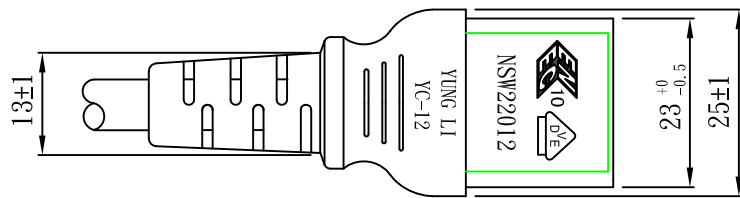
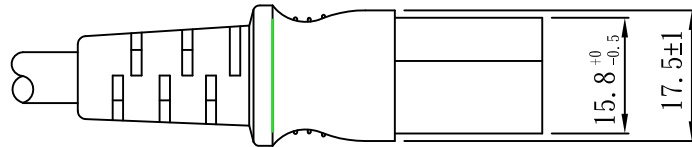
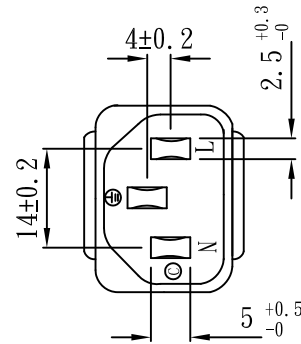
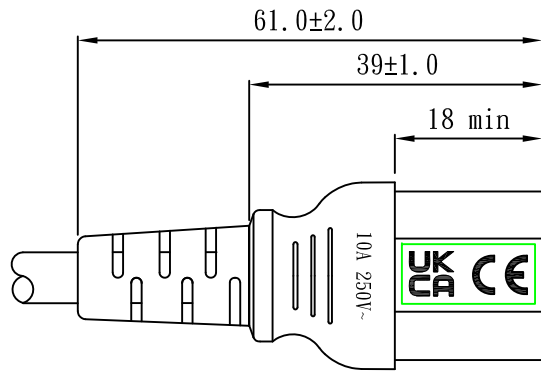
note one: production of year. (must be changed every year)

note two: production of month point (must be changed every month)

TOLERANCE >0±0.30 >1.0±0.50 >10.0±1.0 >20.0±2.0 Angle: ±1°	APPROVED		DATE		YUNG LI CO., LTD			
	CHECKED		DATE					
	DRAWN		DATE		CUSTOMER			
	TYPE	YP-61A			P/N			
	DRAWING NO.		REV	B	SCALE	1:1	UNIT	mm



NSW 22012



TOLERANCE >0±0.30 >1.0±0.50 >10.0±1.0 >20.0±2.0 Angle: ±1°	APPROVED		DATE		YUNG LI CO., LTD			
	CHECKED		DATE					
	DRAWN	haiyan	DATE	21.02.25	CUSTOMER			
	TYPE	YC-12(UKCA)			P/N			
	DRAWING NO.		REV	B	SCALE	1:1	UNIT	mm

# YUNG LI CO., LTD

## SPECIFICATION










Yung Li	Style	PVC FLEXIBLE CORDS	Document No
2019.04.16			
Edition	Size	<b>H05VV-F 3G 1.0mm<sup>2</sup></b>	Page
A			1/2

1. Standard: IEC 227 IEC228

2. Construction & Dimension

	Item	Specification
Conductor	Size	3G 1.0mm <sup>2</sup>
	Material	Annealed Bare Copper
	Construction	32/ $\phi$ 0.202±0.008
Insulation	Material	PVC
	Minimum Average Thickness	0.60mm
	Minimum Thickness at any point	0.48mm
	Diameter	2.50 ± 0.10
	Identification	Blue,Brown,Green/Yellow
Core Assembly	Core Twist	3-Core
	Filler	NA
	Assembly Pair	NA
Taping	Mylar Foil	NA
Shielded	A1-Mylar Foil	NA
Drain	Material	NA
	Construction	NA
Jacket	Material	NA
	Minimum Average Thickness	0.8mm
	Minimum Thickness at any point	0.58mm
	Overall Diameter(Approx)	7.0± 0.2
	Color	Any Color

**Marking:**

Yung Li Co., Ltd. H05VV-F 3G 1.0mm<sup>2</sup> <VDE> NF-USE 1347  KEMA-KEUR  CEBEC <OVE>  
     IEMMEQU SAA-190646-EA  A004049 60227 IEC 53(RVV) 300/500V  SU01027-4002

# YUNG LI CO., LTD

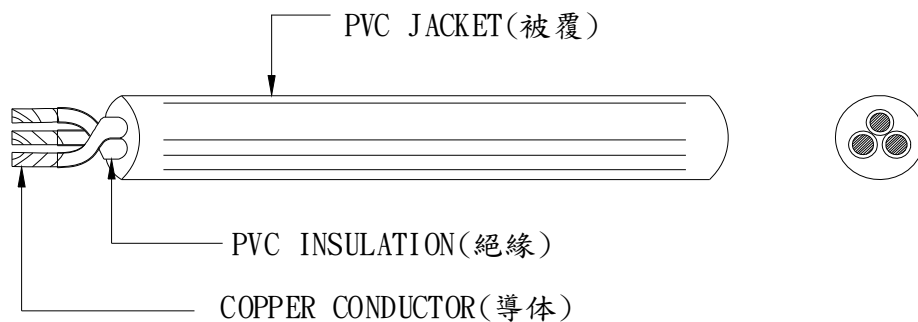
## SPECIFICATION

Yung Li	Style	PVC FLEXIBLE CORDS	Document No
2019.04.16			
Edition	Size	<b>H05VV-F 3G 1.0mm<sup>2</sup></b>	Page
A			2/2

### 4. Electrical & Physical Properties

Item	Specification		
Rating Voltage	70°C 300/500V		
Conductor resistance(AT 20°C)	19.5Ω/Km MAX		
Insulation Resistance(AT 70°C)	0.010MΩ/Km Min		
Dielectric Strength	AC 2.0 KV / 15 min No Break		
Spark Test	5.0KV		
Insulation	Unaged	Tensile Strength	1.02 kgf/mm <sup>2</sup> min
		Elongation	150% Min
	Aged	Tensile Strength	80~120% (80°C x168hrs)
		Elongation	80~120% (80°C x168hrs)
	Loss of mass Test		2.0mg/cm <sup>2</sup> (max)
Jacket	Unaged	Tensile Strength	1.02 kgf/mm <sup>2</sup> min
		Elongation	150% Min
	Aged	Tensile Strength	80~120% (80°C x168hrs)
		Elongation	80~120% (80°C x168hrs)
	Loss of mass Test		2.0mg/cm <sup>2</sup> (max)
Deformation Test		70±4°C X 1hr ≤ 50%	
Cold Bend Test		-15°C x 4hr No Crack	
Heat Shock Test		150±2°C x 1hr No Crack	

### Graph:



# ASTA LICENCE

## ASTA DIAMOND MARK

**Licence No.** 1359

**Organization:** Yung Li Company Limited  
Da Pu Industrial Zone  
Chang Ping Town  
Dongguan City  
523571, China

**Product:** Fused Plug

**Designation:** YP-61A

**Colour(s):** All Colours

**Characteristics:** 250 Volts a.c. 50 Hz, 13 Amperes  
Non-rewirable  
Rough use (BS1363/A)  
Crimped terminations  
Solid nickel-plated brass L & N pins  
Solid moulded-on construction  
Brass E pin, alternatively ISOD

**Approval Standard:** BS 1363-1: 2016 +A1: 2018

**Issue Number:** 2

**Review Date:** 28 February 2028

**Factory Reference:** LQ-494

R.W. Hayward



8 March 2023

**Name**

**Signature**

**Date**

## ASTA Certificates, ASTA Licences and ASTA Test Reports

ASTA Certificates, ASTA Licences and ASTA Test Reports are issued by Intertek for the exclusive use of the party applying for the Certificate, Licence or Test Report and any related testing. Intertek assumes no liability to any parties other than those with which it has an agreement and then only in accordance with the agreed Terms and Conditions.

The Applicant is authorised to copy or distribute ASTA Certificates, ASTA Licences and

ASTA Test Reports provided the entire contents are included, or Certificate Front Sheets accompanied by any associated pages on which are stated the assigned rated characteristics and no part is obscured or illegible, or Licence front sheets. Permission must be obtained from Intertek before any other kind of reproduction is made.

The holder of an ASTA Certificate may claim in Trade Journals, Catalogues, Technical Articles etc., and without the prior approval of Intertek that the product identified in an ASTA Certificate is ASTA Certified.

The holder of an ASTA Licence may claim in Trade Journals, Catalogues, Technical Articles etc., and without the prior approval of Intertek that the product identified in an ASTA Licence is ASTA Approved.

To minimise the possibility of any misunderstanding such claims must clearly identify the product(s) certified or approved, the ratings verified by ASTA and the Standard against which certification/approval has been made.

Any other use of the Intertek or ASTA names must first be approved in writing by Intertek. Test results and ratings proven by testing included in ASTA Certificates and ASTA Test Reports relate specifically to the sample(s) tested.

### Types of ASTA Certificates

**Certificates are issued when samples of a particular product design have been tested** satisfactorily against the requirements of a National, European, International or ASTA Standard. Several forms of Certificate are available, including:

**Certificate of Complete Compliance**

Verifies compliance with all the requirements of a Standard

**Certificate of Type/Verification Tests**

Verifies complete series of type/verification tests prescribed in a Standard has been made successfully.

**Certificate of Selected Type/Verification Tests**

Verifies specified type/verification tests have been made successfully

**Supplementary Certificate**

Extends the scope of an existing Certificate to cover changes in rating or in design

### ASTA Test Report

An ASTA Test Report is issued when tests otherwise satisfactory cannot be included in a Certificate for one or more reasons, e.g. verification of non-standard ratings

### ASTA Licences and ASTA Diamond Mark

The use of the ASTA Diamond Mark on products is authorised by an ASTA Licence. Products covered by an ASTA Licence can be referred to as ASTA Approved. Requirements for ASTA Licences include testing for full compliance with relevant standards and satisfactory, on-going assessment of production. Validity and use of ASTA Licences are subject to compliance with Intertek Certification Regulations.

For more information see <https://www.intertek.com/auditing/certification-regulations-uk/>

### Authenticity

Authenticity of any ASTA document can be confirmed by contacting Intertek

Email: [asta@intertek.com](mailto:asta@intertek.com), Tel: +44 116 296 2900



## CERTIFICATE OF CONFORMITY (COC)

---

To: GLA (RS code)  
Global Approvals Pte Ltd  
108 Bedok Reservoir Road  
#02-320  
Singapore 470108

Attn: Mr Andrew Lin

Date of certification : 15 August 2018  
Date of re-certification : 12 May 2021  
Date of expiry : 14 August 2024  
Certificate number : 180890-12

Dear Sir/Madam,

We certify that the following controlled goods complied with the Mandatory requirements of the Singapore Consumer Protection (Safety Requirements) Registration Scheme:

Description of controlled goods: 13A non-rewireable fused plug with cable

Trade name: YUNG-LI

Model number: YP-61A

Country where the product is likely to be manufactured: China

Test report number: 180621127GZU-001

Testing laboratory: Intertek Testing Services Shenzhen Ltd. Guangzhou Branch

Tested according to: SS 145: Part 1: 2010

---

Ong Keng Chuan

Intertek Testing Services (Singapore) Pte Ltd

---

**Important Note:**

No controlled goods can be supplied in Singapore unless they are registered with the Safety Authority. Please access [www.cpsa.enterprisesg.gov.sg/](http://www.cpsa.enterprisesg.gov.sg/) for registration procedure.

# Gulf Type Examination Certificate


**Type Certificate Number: CN-GSOG-20180667R2**

**Certificate Expiry Date: 24 October 2024**

See Certificate Revision / Renewal History in Annex 1

**Notified Body 0012** certifies that this Electrical Equipment has been found to comply with the essential requirements of the safety objectives and the requirements of the electromagnetic compatibility of the Gulf Technical Regulation on Low Voltage Electrical Equipment and Appliances BD-142004-01 list (2) subjected to the Conformity Assessment Procedure set out in Annex (4).

Applicant:	YUNG LI CO., LTD. Da Pu Industrial Zone, Chang Ping Town, Dong Guan City, GuangDong, China
Manufacturer:	Same as Applicant
Manufacturing Location:	YUNG LI CO., LTD. Da Pu Industrial Zone, Chang Ping Town, Dong Guan City, GuangDong, China
Country of Origin:	P.R. China
Product:	Non-rewirable fused plug
Brand:	YUNG-LI
Model / Type Ref:	YP-61A
Technical Data / Ratings:	Colour(s): all color; Solid brass L, N & E pins and alternatively ISOD; Solid moulded-on constructions; Crimped terminations. Max.13A, 250V~ Product Dimensions: L W H: 5x4x7 cm
Product Complies with Standards:	BS 1363-1:2016+A1:2018, SASO 2203:2018.
Evaluation or Test Report(s)	180621129GZU-001: 21 August 2018, 200615176GZU-001: 23 June 2020.
National Deviations Checked:	Kingdom of Saudi Arabia, United Arab Emirates, Sultanate of Oman, Kingdom of Bahrain, State of Qatar, State of Kuwait, Republic of Yemen. Type and shape of the plug: G.
Limitations:	None
Issuing Notified Body No:	0012

  
Signature  
Win Qiu  
Certification Officer  
Issue Date: 17 June 2021



**This certificate:**

- applies only to the product(s) submitted and as detailed in the Technical Construction File (TCF).
- does not imply that the Notified Body has performed any surveillance or control of the manufacture(s).
- replaces certificate CN-GSOG-20180667R1 dated 06 August 2020. The new certificate has been issued due to: 3-year renewal.
- See Certificate Revision / Renewal History in Annex 1.

This Certificate is for the exclusive use of Intertek's client and is provided pursuant to the agreement between Intertek and its Client. Intertek's responsibility and liability are limited to the terms and conditions of the agreement. Intertek assumes no liability to any party, other than to the Client in accordance with the agreement with the agreement, for any loss, expense or damage occasioned by the use of this Certificate. Only the Client is authorized to permit copying or distribution of this Certificate. Any use of the Intertek name or one of its marks for the sale or advertisement of the tested material, product or service must first be approved in writing by Intertek. The observations and test/inspection results referenced in this Certificate are relevant only to the sample tested/inspected. This Certificate by itself does not imply that the material, product, or service is or has ever been under an Intertek certification program.

**Annex 1 to Gulf Type Examination Certificate: CN-GSOG-20180667R2  
Notified Body: 0012**

*The manufacturer(s)*

- shall ensure the manufacturing process assures compliance of production of the examined products covered by this certificate.
- shall inform the Notified Body of any modifications made to the examined product; this may lead to additional approval work resulting in cancellation, amendment and/or reissuance of this Gulf Type Examination Certificate.

**List of the Gulf Type Examination technical documentation prepared by the manufacturer which is retained by the Notified Body in the Technical Construction File (TCF):**

- Trademark, model or reference of the equipment
- General description and operation of the equipment
- Leaflet, use instructions, copy of warnings
- Detailed description with conceptual design and manufacturing drawings, including:
- List of components, materials, sub-assemblies and circuits
- Explanations necessary for the understanding of the above
- Address of place(s) of manufacturer & storage
- List of the Gulf standards, if any, applied in full or in part, and descriptions of the solutions adopted to meet the essential requirements of the regulation where the Gulf standards have not been fully applied (risk assessment, proposed solutions)
- Results of design calculations made, examinations carried out, etc.
- Test reports or test certificates from in-house laboratory belonging to the manufacturer, if any
- Documentation of the solutions adopted by the manufacturer to ensure conformity of the production with the product specified in this certificate
- Description of the conformity assessment procedure followed

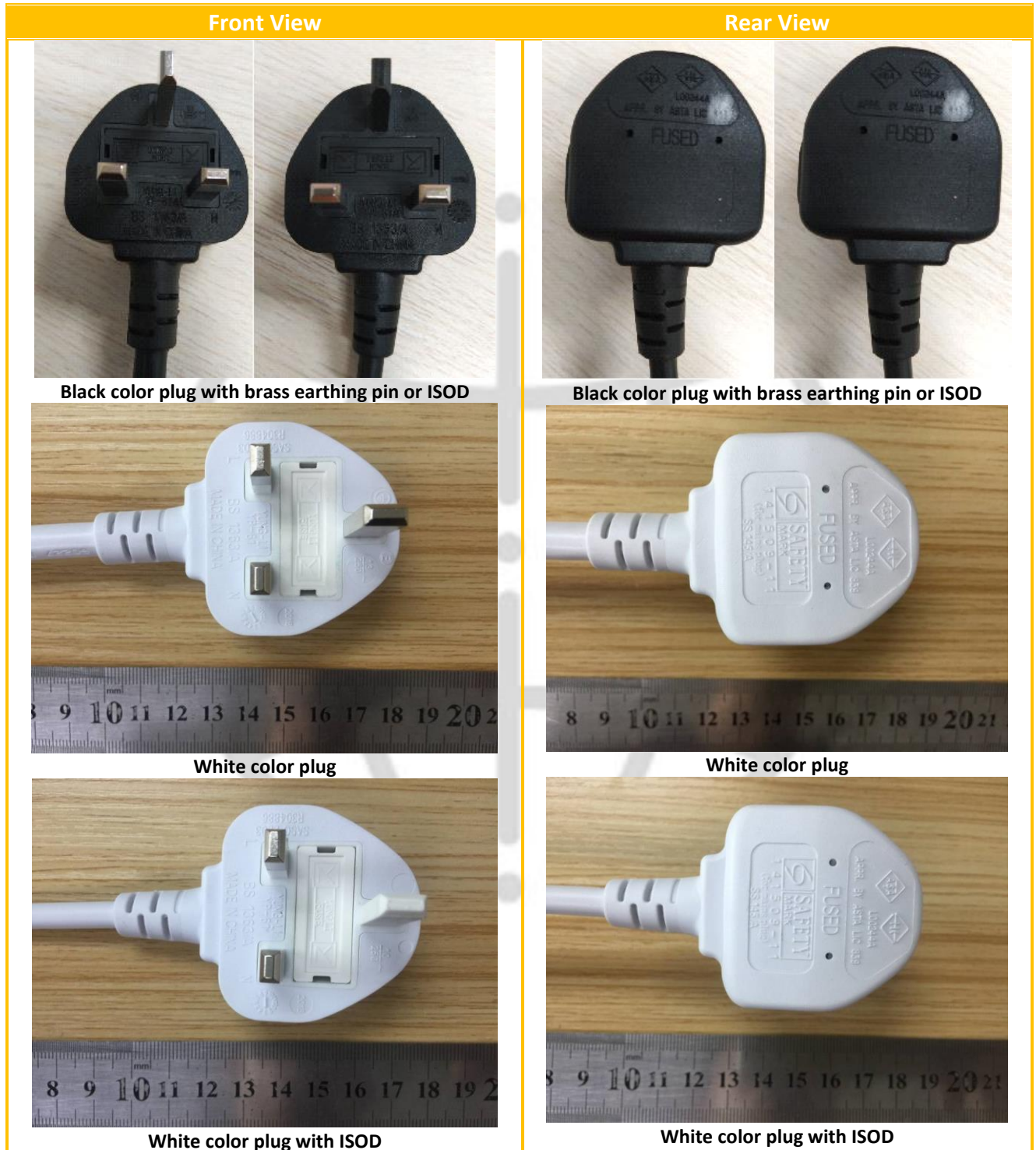
**Certificate Revision History Table:**

Certificate No.	Certificate Revision History	Issue Date	Expiry Date
CN-GSOG-20180667	Certificate Initial Issue	17 October 2018	17 October 2021
CN-GSOG-20180667R1	Certificate Revision Issue: standard update	06 August 2020	17 October 2021
CN-GSOG-20180667R2	Certificate Renewal Issue: 3 year Renewal	17 June 2021	17 October 2024

This Certificate is for the exclusive use of Intertek's client and is provided pursuant to the agreement between Intertek and its Client. Intertek's responsibility and liability are limited to the terms and conditions of the agreement. Intertek assumes no liability to any party, other than to the Client in accordance with the agreement, for any loss, expense or damage occasioned by the use of this Certificate. Only the Client is authorized to permit copying or distribution of this Certificate. Any use of the Intertek name or one of its marks for the sale or advertisement of the tested material, product or service must first be approved in writing by Intertek. The observations and test/inspection results referenced in this Certificate are relevant only to the sample tested/inspected. This Certificate by itself does not imply that the material, product, or service is or has ever been under an Intertek certification program.

**Annex 2 to Gulf Type Examination Certificate: CN-GSOG-20180667R2  
Notified Body: 0012**

**Product Photographs:**

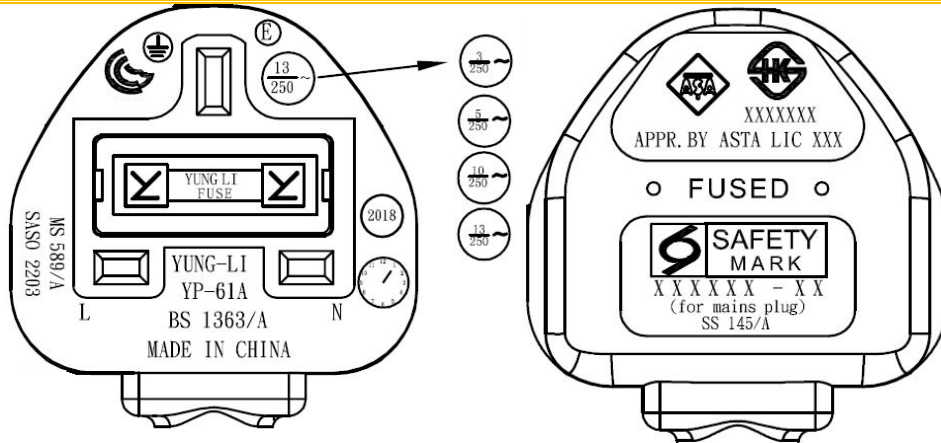


This Certificate is for the exclusive use of Intertek's client and is provided pursuant to the agreement between Intertek and its Client. Intertek's responsibility and liability are limited to the terms and conditions of the agreement. Intertek assumes no liability to any party, other than to the Client in accordance with the agreement, for any loss, expense or damage occasioned by the use of this Certificate. Only the Client is authorized to permit copying or distribution of this Certificate. Any use of the Intertek name or one of its marks for the sale or advertisement of the tested material, product or service must first be approved in writing by Intertek. The observations and test/inspection results referenced in this Certificate are relevant only to the sample tested/inspected. This Certificate by itself does not imply that the material, product, or service is or has ever been under an Intertek certification program.



**Annex 2 to Gulf Type Examination Certificate: CN-GSOG-20180667R2  
Notified Body: 0012**

**Product Rating Label (incl. GCTS Configuration and Trade Mark)**



The above of engagement face

The above on plug back cover



The above on the product outer packaging

This Certificate is for the exclusive use of Intertek's client and is provided pursuant to the agreement between Intertek and its Client. Intertek's responsibility and liability are limited to the terms and conditions of the agreement. Intertek assumes no liability to any party, other than to the Client in accordance with the agreement, for any loss, expense or damage occasioned by the use of this Certificate. Only the Client is authorized to permit copying or distribution of this Certificate. Any use of the Intertek name or one of its marks for the sale or advertisement of the tested material, product or service must first be approved in writing by Intertek. The observations and test/inspection results referenced in this Certificate are relevant only to the sample tested/inspected. This Certificate by itself does not imply that the material, product, or service is or has ever been under an Intertek certification program.

## LESEN PENSIJILAN BARANGAN

*Product Certification Licence*



**SIRIM QAS International Sdn. Bhd.** dengan ini menganugerahkan kepada  
*SIRIM QAS International Sdn. Bhd. hereby grants to*

**YUNG LI CO., LTD.**  
**DA PU INDUSTRIAL ZONE,**  
**CHANG PING TOWN**  
**523571 DONGGUAN CITY**  
**GUANGDONG PROVINCE, CHINA**

**Lesen untuk menggunakan Tanda Pensijilan di atas barangan**  
*a licence to use the Certification Mark on*

**FUSED PLUGS**

**Please refer to detail in the SCHEDULE**

**sebagai mematuhi keperluan**  
*as complying with*

**MS 589-1 : 2018**



**Nur Fadhilah binti Muhammad**  
Ketua Pegawai Eksekutif  
*Chief Executive Officer*  
SIRIM QAS International Sdn. Bhd.



# SCHEDULE

**YUNG LI CO., LTD.**



**SIRIM**

Trade Mark	: YUNG-LI
Model	: YP-61A
Rating	: Maximum 13A 250V~
Type	: Non-rewireable with flexible cable - PVC H05VV-F 2 X 0.75mm <sup>2</sup>
Trade Mark	: YUNG-LI
Model	: YP-61A
Rating	: Maximum 13A 250V~
Type	: Non-rewireable with flexible cable - PVC H05VV-F 2 X 1.0mm <sup>2</sup>
Trade Mark	: YUNG-LI
Model	: YP-61A
Rating	: Maximum 13A 250V~
Type	: Non-rewireable with flexible cable - PVC H05VV-F 3 X 0.75mm <sup>2</sup>
Trade Mark	: YUNG-LI
Model	: YP-61A
Rating	: Maximum 13A 250V~
Type	: Non-rewireable with flexible cable - PVC H05VV-F 3 X 1.0mm <sup>2</sup>
Trade Mark	: YUNG-LI
Model	: YP-61A
Rating	: Maximum 13A 250V~
Type	: Non-rewireable with flexible cable - PVC H05VV-F 3 X 1.5mm <sup>2</sup>
Trade Mark	: YUNG-LI
Model	: YP-61A
Rating	: Maximum 13A 250V~
Type	: Non-rewireable with flexible cable - PVC H03VVH2-F 2 X 0.75mm <sup>2</sup>
Trade Mark	: YUNG-LI
Model	: YP-61A
Rating	: Maximum 13A 250V~
Type	: Non-rewireable with flexible cable - PVC H05VVH2-F 2 X 1.0mm <sup>2</sup>
Trade Mark	: YUNG-LI
Model	: YP-61A
Rating	: Maximum 13A 250V~
Type	: Non-rewireable with flexible cable - PVC H05VVH2-F 2 X 0.75mm <sup>2</sup>

# SCHEDULE

**YUNG LI CO., LTD.**



**SIRIM**

Trade Mark	: YUNG-LI
Model	: YP-61A
Rating	: Maximum 13A 250V~
Type	: Non-rewireable with flexible cable - PVC H03V2V2-F 2 X 0.75mm <sup>2</sup>
Trade Mark	: YUNG-LI
Model	: YP-61A
Rating	: Maximum 13A 250V~
Type	: Non-rewireable with flexible cable - PVC H03V2V2-F 3 X 0.75mm <sup>2</sup>
Trade Mark	: YUNG-LI
Model	: YP-61A
Rating	: Maximum 13A 250V~
Type	: Non-rewireable with flexible cable - PVC H05V2V2-F 3 X 0.75mm <sup>2</sup>
Trade Mark	: YUNG-LI
Model	: YP-61A
Rating	: Maximum 13A 250V~
Type	: Non-rewireable with flexible cable - PVC H05V2V2-F 3 X 1.0mm <sup>2</sup>
Trade Mark	: YUNG-LI
Model	: YP-61A
Rating	: Maximum 13A 250V~
Type	: Non-rewireable with flexible cable - PVC H05V2V2-F 3 X 1.5mm <sup>2</sup>
Trade Mark	: YUNG-LI
Model	: YP-61A
Rating	: Maximum 13A 250V~
Type	: Non-rewireable with flexible cable - PVC H03V2V2H2-F 2 X 0.75mm <sup>2</sup>
Trade Mark	: YUNG-LI
Model	: YP-61A
Rating	: Maximum 13A 250V~
Type	: Non-rewireable with flexible cable - PVC H05V2V2H2-F 2 X 0.75mm <sup>2</sup>
Trade Mark	: YUNG-LI
Model	: YP-61A
Rating	: Maximum 13A 250V~
Type	: Non-rewireable with flexible cable - PVC H05V2V2H2-F 2 X 1.0mm <sup>2</sup>



# SCHEDULE

**YUNG LI CO., LTD.**



**SIRIM**

Trade Mark : YUNG-LI  
 Model : YP-61A  
 Rating : Maximum13A 250V~  
 Type : Non-rewireable with flexible cable - PVC H03Z1Z1H2-F 2 X 0.75mm<sup>2</sup>

Trade Mark : YUNG-LI  
 Model : YP-61A  
 Rating : Maximum13A 250V~  
 Type : Non-rewireable with flexible cable - PVC H05Z1Z1H2-F 2 X 0.75mm<sup>2</sup>

Trade Mark : YUNG-LI  
 Model : YP-61A  
 Rating : Maximum13A 250V~  
 Type : Non-rewireable with flexible cable - PVC H05Z1Z1H2-F 2 X 1.0mm<sup>2</sup>

Trade Mark : YUNG-LI  
 Model : YP-61A  
 Rating : Maximum13A 250V~  
 Type : Non-rewireable with flexible cable - PVC H05Z1Z1-F 2 X 0.75mm<sup>2</sup>

Trade Mark : YUNG-LI  
 Model : YP-61A  
 Rating : Maximum13A 250V~  
 Type : Non-rewireable with flexible cable - PVC H05Z1Z1-F 2 X 1.0mm<sup>2</sup>

Trade Mark : YUNG-LI  
 Model : YP-61A  
 Rating : Maximum13A 250V~  
 Type : Non-rewireable with flexible cable - PVC H05Z1Z1-F 3 X 0.75mm<sup>2</sup>

Trade Mark : YUNG-LI  
 Model : YP-61A  
 Rating : Maximum13A 250V~  
 Type : Non-rewireable with flexible cable - PVC H05Z1Z1-F 3 X 1.0mm<sup>2</sup>

Trade Mark : YUNG-LI  
 Model : YP-61A  
 Rating : Maximum13A 250V~  
 Type : Non-rewireable with flexible cable - PVC H05Z1Z1-F3 X 1.5mm<sup>2</sup>

# SCHEDULE

**YUNG LI CO., LTD.**



**SIRIM**

Trade Mark : YUNG-LI  
 Model : YP-61A  
 Rating : Maximum 13A 250V~  
 Type : Non-rewireable with flexible cable - PVC H05RR-F 2 X 0.75mm<sup>2</sup>

Trade Mark : YUNG-LI  
 Model : YP-61A  
 Rating : Maximum 13A 250V~  
 Type : Non-rewireable with flexible cable - PVC H05RR-F 2 X 1.0mm<sup>2</sup>

Trade Mark : YUNG-LI  
 Model : YP-61A  
 Rating : Maximum 13A 250V~  
 Type : Non-rewireable with flexible cable - PVC H05RR-F 3 X 0.75mm<sup>2</sup>

Trade Mark : YUNG-LI  
 Model : YP-61A  
 Rating : Maximum 13A 250V~  
 Type : Non-rewireable with flexible cable - PVC H05RR-F 3 X 1.0mm<sup>2</sup>

Trade Mark : YUNG-LI  
 Model : YP-61A  
 Rating : Maximum 13A 250V~  
 Type : Non-rewireable with flexible cable - PVC H05RR-F 3 X 1.5mm<sup>2</sup>

Trade Mark : YUNG-LI  
 Model : YP-61A  
 Rating : Maximum 13A 250V~  
 Type : Non-rewireable with flexible cable - PVC H05RN-F 2 X 0.75mm<sup>2</sup>

Trade Mark : YUNG-LI  
 Model : YP-61A  
 Rating : Maximum 13A 250V~  
 Type : Non-rewireable with flexible cable - PVC H05RN-F 2 X 1.0mm<sup>2</sup>

Trade Mark : YUNG-LI  
 Model : YP-61A  
 Rating : Maximum 13A 250V~  
 Type : Non-rewireable with flexible cable - PVC H05RN-F 2 X 1.0mm<sup>2</sup>

# SCHEDULE

YUNG LI CO., LTD.



**SIRIM**

Trade Mark : YUNG-LI  
Model : YP-61A  
Rating : Maximum 13A 250V~  
Type : Non-rewireable with flexible cable - PVC H05RN-F 3 X 0.75mm<sup>2</sup>

Trade Mark : YUNG-LI  
Model : YP-61A  
Rating : Maximum 13A 250V~  
Type : Non-rewireable with flexible cable - PVC H05RN-F 3 X 1.0mm<sup>2</sup>

---

**End of page**

---



香港認證中心

The Hong Kong Certification Centre Ltd

## HONG KONG SAFETY MARK LICENSE

License Number : L00244A

Date of Issue : 2020-07-01

Issued To: Yung Li Co. Ltd  
Da Pu Industrial Zone  
Gangzi Chang Ping Town  
Dongguan City Guangdong  
China

Manufacturer: Yung Li Co. Ltd  
Da Pu Industrial Zone  
Gangzi Chang Ping Town  
Dongguan City Guangdong  
China

This is to certify that the products listed below are eligible to bear the Hong Kong Safety Mark subject to compliance of annual surveillance of factory inspection.

Issued By : Richard Fung  
Managing Director

For and on behalf of  
The Hong Kong Certification Centre Limited

**Product Category**

Wiring Accessories

**Product Description**

Non-rewirable fused plug molded on power cord

**Type/Models**

[Brand Name : Yung Li]

YP-61A

**Applicable Standard(s) / Requirements**

BS1363-1:2016 - 13A Plugs, socket-outlets, adaptors and connection units – Part 1:

+A1:2018

Specification for rewirable and non-rewirable 13A fused plugs

Certification report: L00244-3

*Product certification system is Type 5 as defined in ISO/IEC 17067:2013.  
The use of this License is governed by the Hong Kong Safety Mark Regulations and any other requirement and Regulations accompanying this License when issued, as amended from time to time.*

*This License is the property of The Hong Kong Certification Centre Limited and must be returned upon request.*

Original Certification: 2005-04-29

Expiry: 2023-06-30

HKSM Certification Scheme: CC/SCH/008 Rev 1

Unit B, 10/F., Block 1, Tai Ping Industrial Centre, No. 57 Ting Kok Road, Tai Po, N.T., Hong Kong

香港新界大埔汀角路57號太平工業中心第一座10樓B室

Tel / 電話: (852) 2661 2083

Fax / 傳真: (852) 2661 3181

Email / 電郵: hkcc@hk-cc.hk

Homepage / 網址: www.hk-cc.hk



No. Resit : 220926IKE09707  
Tkh Resit : 26-Sep-2022

**Borang V**  
**(Peraturan 97)**

App Id : SJT1612022019648  
Ruj Kami : 6018899/KI12247/22

SURUHANJAYA TENAGA  
AKTA BEKALAN ELEKTRIK 1990

**PERAKUAN KELULUSAN**

Mengikut peraturan 97 Peraturan-peraturan Elektrik 1994, Perakuan ini dikeluarkan kepada

**ZUFENG MARKETING**  
(nama pengimport)

yang beralamat di

**32, LORONG BATU NILAM 14C, . BANDAR  
BUKIT TINGGI 41200 KLANG 41200  
SELANGOR**  
(Alamat Berdaftar)

**32 LORONG BATU NILAM 14C  
BANDAR BUKIT TINGGI  
41200 KLANG, SELANGOR**  
(Alamat Perniagaan)

dan kelulusan diberikan untuk

<b>MENGIMPORT</b>	<b>MEMPAMER</b> <sup>1</sup>	<b>MENJUAL</b>	<b>MENGIKLAN</b> *
-------------------	------------------------------	----------------	--------------------

kelengkapan yang perihalnya dinyatakan di bawah ini, terus daripada,  
**CN - CHINA**  
(nama dan negara pengilang)

dan kelengkapan itu mematuhi:

- (a) Standard : **Safety BS 1363-1: 2016+A1:2018**  
(b) Laporan Ujian Jenis No : **Safety Dekra Testing and Certification (Shanghai) Ltd., Guangzhou Branch, Guangzhou China 4375852.50**  
(c) Tarikh Ujian : **Safety 24-Mei-2021**

bagi tempoh **satu** tahun dari tarikh dikeluarkan/ diperbaharui\* seperti yang ditunjukkan di bawah  
tertakluk kepada syarat-syarat berikut:  
**- SEPERTI LAMPIRAN A -**

Tarikh dikeluarkan/ diperbaharui\* : 24-Sep-2022  
Kelulusan No : 17871/22

Tarikh Habis Tempoh : 23-Sep-2023  
Fee RM : 220.00

Perihalan Kelengkapan

Kelengkapan : Fused Plug  
Nama Dagangan : YUNG-LI  
Jenis / Model : YP-61A

Spesifikasi Kelengkapan

Voltan : 250 Volt.  
Frekuensi : - Hz.  
Nilai KT :

Kuasa : - Watt.  
Arus : 6, 10, 13 Amp.

**Shaiful Rizal Bin Mazlan**  
Timbalan Pengarah  
Unit Kelengkapan Elektrik  
Jabatan Kawal Selia Keselamatan  
Suruhanjaya Tenaga

1. Kelengkapan yang diluluskan adalah dicadangkan hanya untuk dipamerkan dan bukan untuk dijual, dipasang atau digunakan.

\* Potong yang mana berkenaan.

No. Perakuan : SJT161109145582022

App ID : SJT1612022019648

**Syarat-Syarat:**

- i) Kelengkapan ini hendaklah melalui ujian konsaimen yang dilakukan oleh SIRIM;
- ii) Kelengkapan yang lulus ujian konsaimen hendaklah dilekatkan dengan label yang dikeluarkan oleh SIRIM;
- iii) Pengimport dikehendaki mengemukakan nombor siri setiap kelengkapan bagi setiap konsaimen yang dibawa masuk kepada pihak SIRIM;
- iv) Kelengkapan yang gagal ujian konsaimen hendaklah dipulangkan kepada negara asal ataupun dimusnahkan;
- v) Kelengkapan hendaklah dibina secara sesuai dan sepadan dengan kord bekalan palam utama yang diluluskan oleh ST.

Kord bekalan hendaklah diperakui mengikut standard MS 140 atau MS 2112-5 atau BS 6500 atau IEC 60227-1 & IEC 60227-5 (tertebat PVC - kabel/kord boleh lentur) atau MS 140 atau IEC 60245-4 atau BS 6500 atau IEC 60245-1 & IEC 60245-4 (tertebat getah - kabel/kord boleh lentur).

Palam utama yang digunakan hendaklah seperti berikut:-

- a) Palam fuis 13A, mematuhi standard MS 589: Part 1 atau BS 1363: Part 1;
  - b) Palam 15A, mematuhi standard MS 1577;
  - c) Palam dua kutub bulat tidak boleh didawai semula 2.5A, 250V, dengan kord untuk sambungan ke kelengkapan kelas II, mematuhi standard MS 1578 atau BS EN 50075.
- vi) Permohonan pembaharuan Perakuan Kelulusan beserta dengan bayaran hendaklah dibuat tidak kurang dari empat belas (14) hari dari tarikh habis tempoh Perakuan (Peraturan 106, Peraturan-Peraturan Elektrik(Pindaan) 2003)



---

**Shaiful Rizal Bin Mazlan**  
Timbalan Pengarah  
Unit Kelengkapan Elektrik  
Jabatan Kawal Selia Keselamatan  
Suruhanjaya Tenaga



## ZEICHENGENEHMIGUNG MARKS APPROVAL

Yung-Li Co. Ltd.  
Da Pu Industrial Zone, Cang Zi  
Chang Ping Town  
523571 DONG GUAN CITY  
Guangdong  
CHINA

ist berechtigt, für ihr Produkt /  
*is authorized to use for their product*

**Gerätesteckdose, nicht-wiederanschließbar**  
**Connector, non-rewirable**

die hier abgebildeten markenrechtlich geschützten Zeichen  
für die ab Blatt 2 aufgeführten Typen zu benutzen /  
*the legally protected Marks as shown below for the types referred to on page 2 ff.*



Geprüft und zertifiziert nach /  
*Tested and certified according to*

DIN EN 60320-1 (VDE 0625-1):2016-04; EN 60320-1:2015+AC:2016  
DIN EN 60320-3 (VDE 0625-3):2015-11; EN 60320-3:2014  
IEC 60320-1:2015  
IEC 60320-3:2014



Aktenzeichen: 1609800-1550-0003 / 232784

File ref.:

Ausweis-Nr. 40029577

Blatt 1

Certificate No.

Page

Weitere Bedingungen siehe Rückseite und Folgeblätter /  
*further conditions see overleaf and following pages*

Offenbach, 2010-03-05

(letzte Änderung/updated 2017-12-13 )

VDE Prüf- und Zertifizierungsinstitut GmbH  
VDE Testing and Certification Institute  
Zertifizierungsstelle / Certification

G. Heine

VDE Zertifikate sind nur gültig bei Veröffentlichung unter:  
VDE certificates are valid only when published on:

<http://www.vde.com/zertifikat>  
<http://www.vde.com/certificate>

Name und Sitz des Genehmigungs-Inhabers / *Name and registered seat of the Certificate holder*

Yung-Li Co. Ltd., Da Pu Industrial Zone, Cang Zi, Chang Ping Town, 523571 DONG GUAN CITY, Guangdong, CHINA

Aktenzeichen / *File ref.*

1609800-1550-0003 / 232784 / TL3 / E

letzte Änderung / *updated*

2017-12-13

Datum / *Date*

2010-03-05

Dieses Blatt gilt nur in Verbindung mit Blatt 1 des Zeichengenehmigungsausweises Nr. 40029577.

*This supplement is only valid in conjunction with page 1 of the Certificate No. 40029577.*

## Gerätesteckdose, nicht-wiederanschließbar *Connector, non-rewirable*

Typ(en) / *Type(s)*

- 1) **YC-12**
- 2) **YC-12L**

Bemessungsspannung  
*Rated voltage*

AC 250 V

Bemessungsstrom  
*Rated current*

10 A

Polzahl  
*Number of poles*

2-polig mit Schutzkontakt  
*2-pole with earthing contact*

Bauart  
*Kind of construction*

Normblatt C13  
*standard sheet C13*

Ausführung(en)  
*Construction(s)*

zentrale Leitungseinführung  
*straight cable entry*  
Für / *for* 1)

abgewinkelte Leitungseinführung  
*angled cable entry*  
Für / *for* 2)

Warenzeicheninhaber  
*Trademark holder*

Yung Li Co. Ltd.

Produktinformation

siehe Anlage Nr. 300 + 700 + 702 + 703 + 900 vom 2017-11-02  
und  
Anlage Nr. 701 vom 2017-12-13

*Product information*

*see Appendix No. 300 + 700 + 702 + 703 + 900 dated  
2017-11-02  
and  
Appendix No. 701 dated 2017-12-13*

Fortsetzung siehe Blatt 3 /  
*continued on page 3*



# VDE Prüf- und Zertifizierungsinstitut Zeichengenehmigung

Ausweis-Nr. / Blatt /  
Certificate No. / Page  
40029577 3

Name und Sitz des Genehmigungs-Inhabers / *Name and registered seat of the Certificate holder*

Yung-Li Co. Ltd., Da Pu Industrial Zone, Cang Zi, Chang Ping Town, 523571 DONG GUAN CITY, Guangdong, CHINA

Aktenzeichen / *File ref.*

1609800-1550-0003 / 232784 / TL3 / E

letzte Änderung / *updated*

2017-12-13

Datum / *Date*

2010-03-05

Dieses Blatt gilt nur in Verbindung mit Blatt 1 des Zeichengenehmigungsausweises Nr. 40029577.

*This supplement is only valid in conjunction with page 1 of the Certificate No. 40029577.*

Dieser Zeichengenehmigungs-Ausweis bildet eine Grundlage für die EG-Konformitätserklärung und CE-Kennzeichnung durch den Hersteller oder dessen Bevollmächtigten und bescheinigt die Konformität mit den grundlegenden Schutzanforderungen der **EG-Niederspannungsrichtlinie 2014/35/EU**.

*This Marks Approval is a basis for the EC Declaration of Conformity and the CE Marking by the manufacturer or his agent and proves the conformity with the essential safety requirements of the **EC Low-Voltage Directive 2014/35/EU**.*

VDE Prüf- und Zertifizierungsinstitut GmbH

*VDE Testing and Certification Institute*

Fachgebiet TL3

*Section TL3*

# VDE Prüf- und Zertifizierungsinstitut Zeichengenehmigung

Ausweis-Nr. / Beiblatt /  
Certificate No. Supplement  
40029577

Name und Sitz des Genehmigungs-Inhabers / *Name and registered seat of the Certificate holder*

Yung-Li Co. Ltd., Da Pu Industrial Zone, Cang Zi, Chang Ping Town, 523571 DONG GUAN CITY, Guangdong, CHINA

Aktenzeichen / *File ref.*

1609800-1550-0003 / 232784 / TL3 / E

letzte Änderung / *updated*

2017-12-13

Datum / *Date*

2010-03-05

Dieses Beiblatt ist Bestandteil des Zeichengenehmigungsausweises Nr. 40029577.

*This supplement is part of the Certificate No. 40029577.*

## Gerätesteckdose, nicht-wiederanschließbar *Connector, non-rewirable*

### Fertigungsstätte(n)

#### *Place(s) of manufacture*

Referenz/*Reference*

**30008928**

Yung-Li Co. Ltd.

Da Pu Industrial Zone, Cang Zi

Chang Ping Town

523571 DONG GUAN CITY

Guangdong

CHINA

VDE Prüf- und Zertifizierungsinstitut GmbH

*VDE Testing and Certification Institute*

Fachgebiet TL3

*Section TL3*



Name und Sitz des Genehmigungs-Inhabers / Name and registered seat of the Certificate holder

Yung-Li Co. Ltd., Da Pu Industrial Zone, Cang Zi, Chang Ping Town, 523571 DONG GUAN CITY, Guangdong, CHINA

Aktenzeichen / File ref.

1609800-1550-0003 / 232784 / TL3 / E

letzte Änderung / updated

2017-12-13

Datum / Date

2010-03-05

Dieses Blatt gilt nur in Verbindung mit Blatt 1 des Zeichengenehmigungsausweises Nr. 40029577.

*This supplement is only valid in conjunction with page 1 of the Certificate No. 40029577.*

## **Genehmigung zum Benutzen des auf Seite 1 abgebildeten markenrechtlich geschützten Zeichens des VDE:**

Grundlage für die Benutzung sind die Allgemeinen Geschäftsbedingungen (AGB) der VDE Prüf- und Zertifizierungsinstitut GmbH ([www.vde.com\AGB-Institut](http://www.vde.com\AGB-Institut)). Das Recht zur Benutzung erstreckt sich nur auf die bezeichnete Firma mit den genannten Fertigungsstätten und die oben aufgeführten Produkte mit den zugeordneten Bezeichnungen. Die Fertigungsstätte muss so eingerichtet sein, dass eine gleichmäßige Herstellung der geprüften und zertifizierten Ausführung gewährleistet ist.

Die Genehmigung ist so lange gültig wie die VDE-Bestimmungen gelten, die der Zertifizierung zugrunde gelegen haben, sofern sie nicht auf Grund anderer Bedingungen aus der VDE Prüf- und Zertifizierungsordnung (PM102) zurückgezogen werden muss.

Der Gültigkeitszeitraum einer VDE-GS-Zeichengenehmigung kann auf Antrag verlängert werden. Bei gesetzlichen und / oder normativen Änderungen kann die VDE-GS-Zeichengenehmigung ihre Gültigkeit zu einem früheren als dem angegebenen Datum verlieren.

Produkte, die das Biozid Dimethylfumarat (DMF) enthalten, dürfen gemäß der Kommissionsentscheidung 2009/251/EG nicht mehr in den Verkehr gebracht oder auf dem Markt bereitgestellt werden.

Der VDE-Zeichengenehmigungsausweis wird ausschließlich auf der ersten Seite unterzeichnet.

### **Approval to use the legally protected Mark of the VDE as shown on the first page:**

*Basis for the use are the general terms and conditions of the VDE Testing and Certification Institute ([www.vde.com\terms-institute](http://www.vde.com\terms-institute)). The right to use the mark is granted only to the mentioned company with the named places of manufacture and the listed products with the related type references. The place of manufacture shall be equipped in a way that a constant manufacturing of the certified construction is assured.*

*The approval is valid as long as the VDE specifications are in force, on which the certification is based on, unless it is withdrawn according to the VDE Testing and Certification Procedure (PM102E).*

*The validity period of a VDE-GS-Mark Approval may be prolonged on request. In case of changes in legal and / or normative requirements, the validity period of a VDE-GS-Mark Approval may be shortened.*

*Products containing the biocide dimethylfumarate (DMF) may not be marketed or made available on the EC market according to the Commission Decision 2009/251/EC.*

*The approval is solely signed on the first page.*



# Verification of Compliance

No. UKCA21-0004

**Applicant:**

**Yung-Li Co. Ltd.**

Da Pu Industrial Zone, Gang Zi Chang Ping Town,  
523571, Dongguan City, Guangdong, CHINA

**Product/Material:**

**Connector for 10A/250V for use in class I equipment  
in cold conditions**

**Trade Mark:**

—

**Model/Type:**

YC-12, YC-12L

**Rated Specification:**

See Appendix

**Regulation(s)  
Complied with:**

Appliance couplers for household and similar general  
purposes – Part 1:General requirements

**Tested According to:**

BS EN 60320-1:2015

**Referred to the  
Technical Report:**

UKCA2021-0005(XG1)

*This verification of compliance is based on an evaluation of a tested sample of the product mentioned above. It does not imply assessment of series-production of the product. The applicant should hold the whole technical report at the disposal of the competent authority. Provided it is also in conformity with any other UK regulations, the manufacturer or its authorized representative should draw up a UK Declaration of Conformity and affix the UKCA mark shown below to each conforming product.*



中国认可  
国际互认  
检测  
TESTING  
CNAS L0006



Signed by:

*Xie Haojiang*

Xie Haojiang

Date of Issue: Mar. 3<sup>rd</sup>, 2021





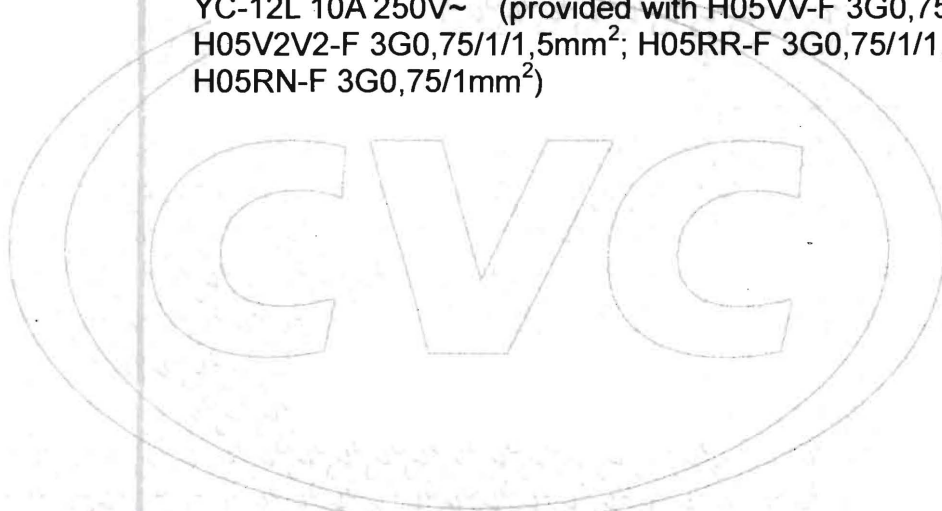
Vkan Certification & Testing Co., Ltd.

## Verification of Compliance

APPENDIX to C.O.C No. UKCA21-0004

*Rated Specification:*

YC-12 10A 250V~ (provided with H05VV-F 3G0,75/1/1,5mm<sup>2</sup>,  
H05V2V2-F 3G0,75/1/1,5mm<sup>2</sup>, H05RR-F 3G0,75/1/1,5mm<sup>2</sup>,  
H05RN-F 3G0,75/1mm<sup>2</sup>),  
YC-12L 10A 250V~ (provided with H05VV-F 3G0,75/1/1,5mm<sup>2</sup>,  
H05V2V2-F 3G0,75/1/1,5mm<sup>2</sup>; H05RR-F 3G0,75/1/1,5mm<sup>2</sup>,  
H05RN-F 3G0,75/1mm<sup>2</sup>)



中国认可  
国际互认  
检测  
TESTING  
CNAS L0096



Signed by

Xie Haojiang

Date of Issue: Mar. 3<sup>rd</sup>, 2021



Vkan Certification & Testing Co., Ltd.

No. 3, Tiantaiyi Road, Kaitai Avenue, Science City, Guangzhou, 510663, P. R. China

Tel.: +86-20-32293888, Fax: +86-20-32293889 E-mail: [office@cvc.org.cn](mailto:office@cvc.org.cn)

[www.cvc.org.cn](http://www.cvc.org.cn)

LTC-C-0041-UKCA-G0



## ZEICHENGENEHMIGUNG MARKS APPROVAL

Yung-Li Co. Ltd.  
Da Pu Industrial Zone, Cang Zi  
Chang Ping Town  
523571 DONG GUAN CITY  
Guangdong  
CHINA

ist berechtigt, für ihr Produkt /  
*is authorized to use for their product*

**Starkstromleitungen für allgemeine Anwendungen**  
**- Flexible Leitungen**  
**mit thermoplastischer PVC-Isolierung**  
***Cables for general applications***  
***- Flexible cables with***  
***thermoplastic PVC insulation***

die hier abgebildeten markenrechtlich geschützten Zeichen  
für die ab Blatt 2 aufgeführten Typen zu benutzen /  
*the legally protected Marks as shown below for the types referred to on page 2 ff.*

◁VDE▷ oder/or ◁▷⊠▷ oder/or  schwarz  
black rot  
red

Geprüft und zertifiziert nach /  
*Tested and certified according to*

DIN EN 50525-2-11 (VDE 0285-525-2-11):2012-01; EN 50525-2-11:2011



Aktenzeichen: 1609800-5140-0005 / 211124

File ref.:

Ausweis-Nr. 40010145

Blatt 1

Certificate No.

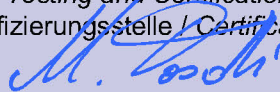
Page

Weitere Bedingungen siehe Rückseite und Folgeblätter /  
*further conditions see overleaf and following pages*

Offenbach, 2004-04-27

(letzte Änderung / updated 2015-05-26 )

VDE Prüf- und Zertifizierungsinstitut GmbH  
VDE Testing and Certification Institute  
Zertifizierungsstelle / Certification



M. Tasotti

VDE Zertifikate sind nur gültig bei Veröffentlichung unter:  
VDE certificates are valid only when published on:

<http://www.vde.com/zertifikat>  
<http://www.vde.com/certificate>

Name und Sitz des Genehmigungs-Inhabers / *Name and registered seat of the Certificate holder*

Yung-Li Co. Ltd., Da Pu Industrial Zone, Cang Zi, Chang Ping Town, 523571 DONG GUAN CITY, Guangdong, CHINA

Aktenzeichen / *File ref.*

1609800-5140-0005 / 211124 / CC5 / HEG

letzte Änderung / *updated*

2015-05-26

Datum / *Date*

2004-04-27

Dieses Blatt gilt nur in Verbindung mit Blatt 1 des Zeichengenehmigungsausweises Nr. 40010145.

*This supplement is only valid in conjunction with page 1 of the Certificate No. 40010145.*

## Starkstromleitungen für allgemeine Anwendungen - Flexible Leitungen mit thermoplastischer PVC-Isolierung *Cables for general applications - Flexible cables with thermoplastic PVC insulation*

Typ(en) / *Type(s)*

H03VV-F 2...4 x 0,5...0,75 mm <sup>2</sup>	+
H03VVH2-F 2 x 0,5...0,75 mm <sup>2</sup>	+
H05VV-F 2...5 x 0,75...4 mm <sup>2</sup>	+
H05VVH2-F 2 x 0,75...1,0 mm <sup>2</sup>	+

Leitungsbauart  
*Type of cable*

Standardleitungen  
*General purpose cables*

Firmenzeichen  
*Trademark*

Yung Li Co., Ltd.

Dieser Zeichengenehmigungs-Ausweis bildet eine Grundlage für die EG-Konformitätserklärung und CE-Kennzeichnung durch den Hersteller oder dessen Bevollmächtigten und bescheinigt die Konformität mit den grundlegenden Schutzanforderungen der **EG-Niederspannungsrichtlinie 2006/95/EG** mit ihren Änderungen.  
*This Marks Approval is a basis for the EC Declaration of Conformity and the CE Marking by the manufacturer or his agent and proves the conformity with the essential safety requirements of the **EC Low-Voltage Directive 2006/95/EC** including amendments.*

VDE Prüf- und Zertifizierungsinstitut GmbH  
*VDE Testing and Certification Institute*  
Fachgebiet CC5  
*Section CC5*

Name und Sitz des Genehmigungs-Inhabers / *Name and registered seat of the Certificate holder*

Yung-Li Co. Ltd., Da Pu Industrial Zone, Cang Zi, Chang Ping Town, 523571 DONG GUAN CITY, Guangdong, CHINA

Aktenzeichen / *File ref.*

1609800-5140-0005 / 211124 / CC5 / HEG

letzte Änderung / *updated*

2015-05-26

Datum / *Date*

2004-04-27

Dieses Beiblatt ist Bestandteil des Zeichengenehmigungsausweises Nr. 40010145.

*This supplement is part of the Certificate No. 40010145.*

**Starkstromleitungen für allgemeine Anwendungen**  
**- Flexible Leitungen**  
**mit thermoplastischer PVC-Isolierung**  
***Cables for general applications***  
**- Flexible cables with**  
***thermoplastic PVC insulation***

**Fertigungsstätte(n)**

***Place(s) of manufacture***

Referenz/*Reference*  
**30008928**

Yung-Li Co. Ltd.  
Da Pu Industrial Zone, Cang Zi  
Chang Ping Town  
523571 DONG GUAN CITY  
Guangdong  
CHINA

VDE Prüf- und Zertifizierungsinstitut GmbH  
*VDE Testing and Certification Institute*  
Fachgebiet CC5  
*Section CC5*



# VDE Prüf- und Zertifizierungsinstitut Zeichengenehmigung

Ausweis-Nr. / Infoblatt /  
Certificate No. Info sheet  
40010145

Name und Sitz des Genehmigungs-Inhabers / Name and registered seat of the Certificate holder

Yung-Li Co. Ltd., Da Pu Industrial Zone, Cang Zi, Chang Ping Town, 523571 DONG GUAN CITY, Guangdong, CHINA

Aktenzeichen / File ref.

1609800-5140-0005 / 211124 / CC5 / HEG

letzte Änderung / updated

2015-05-26

Datum / Date

2004-04-27

Dieses Blatt gilt nur in Verbindung mit Blatt 1 des Zeichengenehmigungsausweises Nr. 40010145.

*This supplement is only valid in conjunction with page 1 of the Certificate No. 40010145.*

## **Genehmigung zum Benutzen des auf Seite 1 abgebildeten markenrechtlich geschützten Zeichens des VDE:**

Grundlage für die Benutzung sind die Allgemeinen Geschäftsbedingungen (AGB) der VDE Prüf- und Zertifizierungsinstitut GmbH ([www.vde.com\AGB-Institut](http://www.vde.com\AGB-Institut)). Das Recht zur Benutzung erstreckt sich nur auf die bezeichnete Firma mit den genannten Fertigungsstätten und die oben aufgeführten Produkte mit den zugeordneten Bezeichnungen. Die Fertigungsstätte muss so eingerichtet sein, dass eine gleichmäßige Herstellung der geprüften und zertifizierten Ausführung gewährleistet ist.

Die Genehmigung ist so lange gültig wie die VDE-Bestimmungen gelten, die der Zertifizierung zugrunde gelegen haben, sofern sie nicht auf Grund anderer Bedingungen aus der VDE Prüf- und Zertifizierungsordnung (PM102) zurückgezogen werden muss.

Der Gültigkeitszeitraum einer VDE-GS-Zeichengenehmigung kann auf Antrag verlängert werden. Bei gesetzlichen und / oder normativen Änderungen kann die VDE-GS-Zeichengenehmigung ihre Gültigkeit zu einem früheren als dem angegebenen Datum verlieren.

Produkte, die das Biozid Dimethylfumarat (DMF) enthalten, dürfen gemäß der Kommissionsentscheidung 2009/251/EG nicht mehr in den Verkehr gebracht oder auf dem Markt bereitgestellt werden.

Der VDE-Zeichengenehmigungsausweis wird ausschließlich auf der ersten Seite unterzeichnet.

### **Approval to use the legally protected Mark of the VDE as shown on the first page:**

*Basis for the use are the general terms and conditions of the VDE Testing and Certification Institute ([www.vde.com\terms-institute](http://www.vde.com\terms-institute)). The right to use the mark is granted only to the mentioned company with the named places of manufacture and the listed products with the related type references. The place of manufacture shall be equipped in a way that a constant manufacturing of the certified construction is assured.*

*The approval is valid as long as the VDE specifications are in force, on which the certification is based on, unless it is withdrawn according to the VDE Testing and Certification Procedure (PM102E).*

*The validity period of a VDE-GS-Mark Approval may be prolonged on request. In case of changes in legal and / or normative requirements, the validity period of a VDE-GS-Mark Approval may be shortened.*

*Products containing the biocide dimethylfumarate (DMF) may not be marketed or made available on the EC market according to the Commission Decision 2009/251/EC.*

*The approval is solely signed on the first page.*