

# 東莞永力電業有限公司

YUNG LI CO., LTD

Da Pu Industrial Zone, Gang Zi, Changping Town,  
Dong Guan City, Guangdong 523571 China.P.R.C

TEL:0769-83396797~8

FAX:0769-83396796

E-mail: sales@yung-li.com

Description: YP-11/YC-13D

Customer: MAG

Parts No. : CB-8D-US

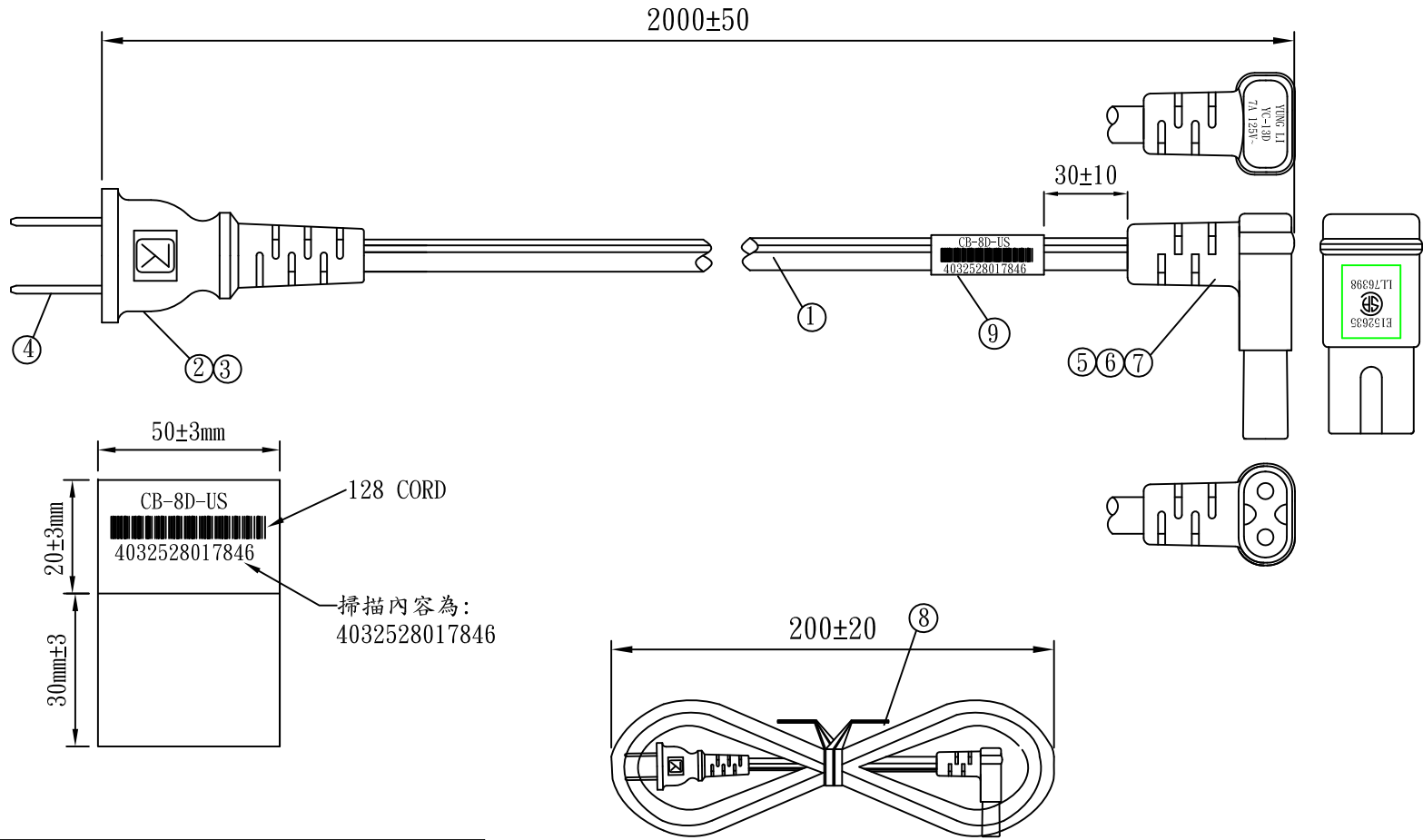
Draw No. :

## *REVISION RECORD*

1		
2		
3		
4		
5		

YUNG LI	
CHECKED	PREPARED BY

CUSTOMER	APPROVED

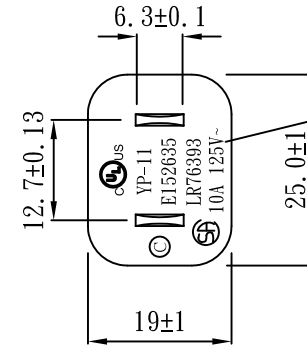
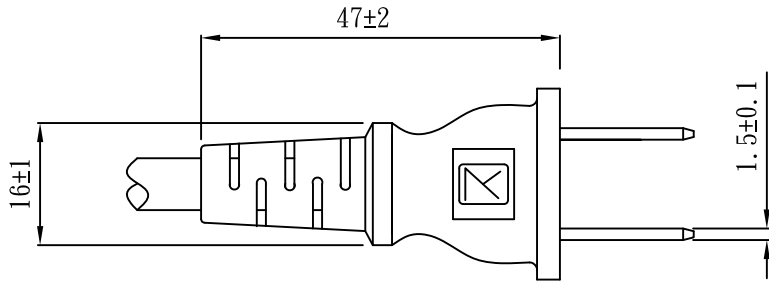


NO.	SPECIFICATION	QTY	REMARK
1	SPT-2 18/2C 105°C BLACK	1PC	
2	YP-11 PVC PLASTIC:35P BLACK	15g/PC	
3	YP-11 INNER BODY	1PC	
4	TER:98675BS-1/KDF 50T	2PCS	
5	YC-13D PVC PLASTIC:35P BLACK	9g/PC	
6	YC-13D H. S. G	1PC	
7	YC-13D TER 98714	2PCS	
8	MINI TIE:L=110mm BLACK	1PC	
9	LABEL:(30+20)*50mm	1PC	

TOLERANCE	APPROVED	DATE	YUNG LI CO.,LTD					
	>0±0.30	CHECKED	DATE	CUSTOMER		MAG		
>1.0±0.50	DRAWN	黃方	DATE	18.11.26	P/N			
>10.0±1.0	TYPE	YP-11/YC-13D		CB-8D-US				
>20.0±2.0	DRAWING NO.	CY-U4489	REV	B	MATERIAL	P. V. C	UNIT	mm
Angle: ±1°	SCALE							


  
 NEMA 1-15P

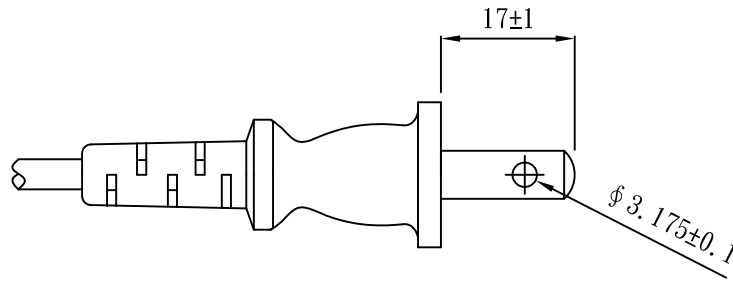
認證號:  
 E152635  
 LR76393



安培數隨線徑變更

13A 125V~

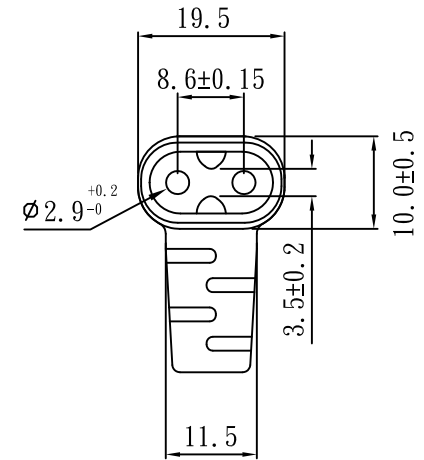
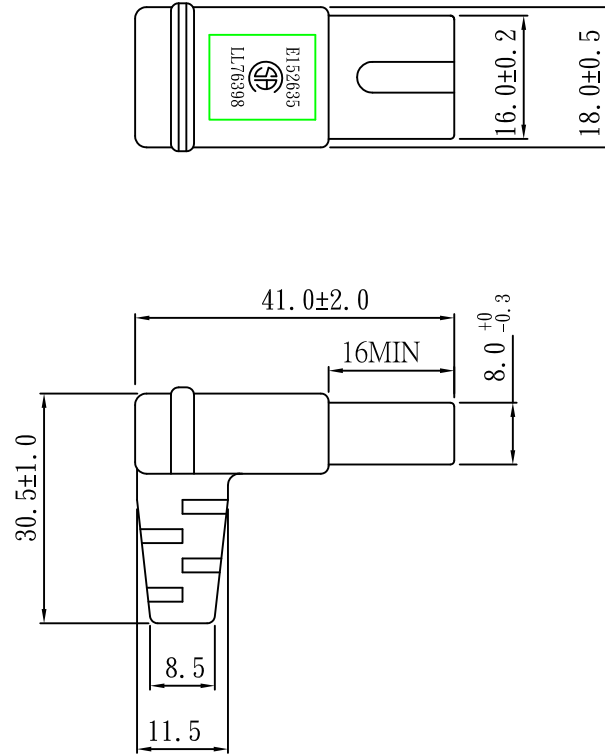
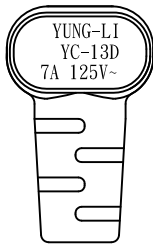
15A 125V~



核准:	審核:	業務:	東莞永力電業有限公司 <b>YUNG LI CO.,LTD</b>					
一般寸法公差: >0±0.30 >1.0±0.50 >10.0±1.0 >20.0±2.0 Angle:±1°	制圖	黃海燕	日期	18.04.19	客戶			
	型號	YP-11			版本	B	單重	
	圖號	MP-U11000			材質	P.V.C	單位	mm
	比例	1:1						



IEC 60320 C7



TOLERANCE >0±0.30 >1.0±0.50 >10.0±1.0 >20.0±2.0 Angle: ±1°	APPROVED		DATE		YUNG LI CO., LTD			
	CHECKED		DATE					
	DRAWN		DATE					
	TYPE	YC-13D(UL)			P/N			
	DRAWING NO.				MATERIAL	P. V. C	UNIT	mm
				SCALE	1:1			

# YUNG LI CO., LTD

## SPECIFICATION

Yung-Li	Style	PVC FLEXIBLE CORDS	Document No
2007.5.22			
Edition	Size	<b>SPT-2 18/2C 105</b>	Page
A			1/2

1. Standard : UL 62 UL 1581

### 2. Construction & Dimension

	Item	Specification
Conductor	Size	18AWG X 2C
	Material	Annealed Bare Copper
	Construction	41/ 0.16±0.002
Insulation	Material	PVC
	Minimum Average Thickness	1.14mm
	Minimum Thickness at any point	1.02mm
	Diameter	6.8±0.2/3.4±0.1mm
	Identification	NA
Core Assembly	Core Twist	NA
	Filler	NA
	Assembly Pair	NA
Taping	Mylar Foil	NA
Shielded	A1-Mylar Foil	NA
Drain Wire	Material	NA
	Construction	NA
Jacket	Material	NA
	Minimum Average Thickness	NA
	Minimum Thickness at any point	NA
	Overall Diameter(Approx)	NA
	Color	Any Color

### Marking :

YUNG LI (UL) E241374 SPT-2 2/C 18AWG(0.824mm<sup>2</sup>) 105 300V VW-1  
 CSA 177323 SPT-2 2/C 18AWG(0.824mm<sup>2</sup>) 105 300V FT2

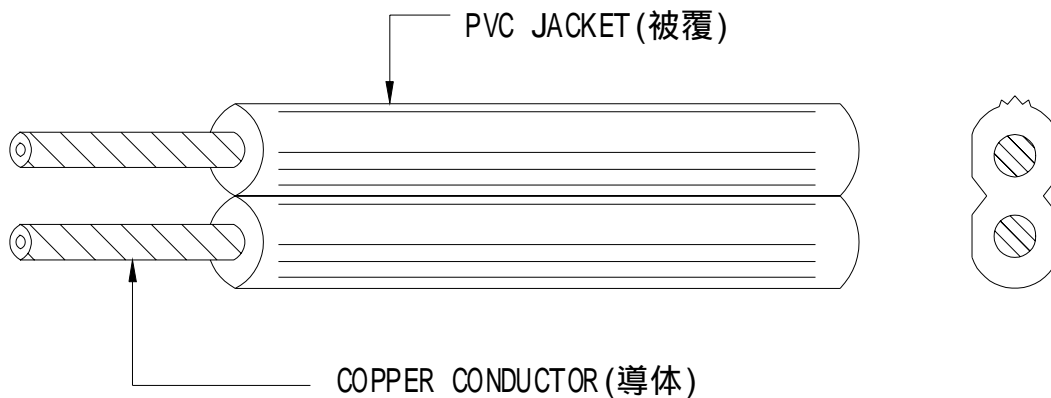
# YUNG LI CO., LTD

## SPECIFICATION

Yung-Li	Style	PVC FLEXIBLE CORDS	Document No
2007..5.22			
Edition	Size	<b>SPT-2 18/2C 105</b>	Page
A			2/2

3.Electrical & Physical Properties			
Item		Specification	
Rating Voltage		300V	
Insulation Resistance		0.76MΩ/Km 15.0 Min	
Dielectric Strength		AC 1.5 KV/1 min No Break	
Spark Test		6KV/0.15 sec	
Insulation	Unaged	Tensile Strength	1500psi Min
		Elongation	100% Min
	Aged	Tensile Strength	Min 85% (136±1 x 168hrs)
		Elongation	Min 65% (136±1 x 168hrs)
Jacket	Unaged	Tensile Strength	NA
		Elongation	NA
	Aged	Tensile Strength	NA
		Elongation	NA
Deformation Test		121±1 X 1hr 50%	
Cold Bend Test		-20 x 4hr No Crack	
Heat Shock Test		121±1 X 1hr No Crack	

**Graph:**





# IMPROVED CERTIFICATIONS SEARCH TOOL. REGISTER NOW!

[LEARN MORE](#)

## ELBZ7.E152635

### Cord Sets and Power-supply Cords Certified for Canada

[Page Bottom](#)

### Cord Sets and Power-supply Cords Certified for Canada

[See General Information for Cord Sets and Power-supply Cords Certified for Canada](#)**YUNG LI CO LTD**

E152635

7F-12 NO 99 SEC 1 XINTAI 5TH RD  
XIZHI DISTRICT  
NEW TAIPEI, 22175 TAIWAN**Power-supply cords**

Cat. No.	ANSI/NEMA WD6 Config	Cord AWG	Cord Type	Electrical Rating Amps V
YP-11	1-15	18/2	SPT-1, SPT-2, SPT-3, NISPT-2, SVT, SVTO, SJT, SJTW, SJTO, SJTOW (All TPE material), SPT-1, SPT-1W, NISPT-1, SPT-2, SPT-2W, NISPT-2, SPT-3, HPN, SVT, SVTO, SJT, SJTW, SJTO, SJTOW, SV, SVO, SJ, SJO, SJOW, SJOOW, EVT, EVJT, EVE, EVJE	10/125
		17/2	SVT, SVTO (All TPE material), SVT, SVTO, SV, SVO, SJ, SJO, SJOW, SJOOW, EVT, EVJT, EVE, EVJE	12/125
		16/2	SPT-2, SPT-3, NISPT-2, SVT, SVTO, SJT, SJTW, SJTO, SJTOW (All TPE material), SPT-2, SPT-2W, NISPT-2, SPT-3, SVT, SVTO, SJT, SJTW, SJTO, SJTOW, SV, SVO, SJ, SJO, SJOW, SJOOW, EVT, EVJT, EVE, EVJE	13/125
		16/2	HPN	15/125
		14/2	SPT-3, SJT, SJTW, SJTO, SJTOW (All TPE material), SPT-3, SJT, SJTW, SJTO, SJTOW, SJ, SJO, SJOW, SJOOW, EVT, EVJT, EVE, EVJE	15/125
YP-11W	1-15P	18/2	SPT-1, SPT-2, SPT-3, NISPT-2, SVT, SVTO, SJT, SJTW, SJTO, SJTOW (All TPE material), SPT-1, SPT-1W, NISPT-1, SPT-2, SPT-2W, NISPT-2, SPT-3, HPN, SVT, SVTO, SJT, SJTW, , SJTO, SJTOW, SV, SVO, SJ, SJO, SJOW, SJOOW, EVT, EVJT, EVE, EVJE	10/125
		17/2	SVT, SVTO (All TPE material), SVT, SVTO, SV, SVO, SJ, SJO, SJOW, SJOOW, EVT, EVJT, EVE, EVJE	12/125
		16/2	SPT-2, SPT-3, NISPT-2, SVT, SVTO, SJT, SJTW, SJTO, SJTOW (All TPE material), SPT-2, SPT-2W, NISPT-2, SPT-3, SVT, SVTO, SJT, SJTW, SJTO, SJTOW, SV, SVO, SJ, SJO, SJOW, SJOOW, EVT, EVJT, EVE, EVJE	13/125
		16/2	HPN	15/125
		14/2	SPT-3, SJT, SJTW, SJTO, SJTOW (All TPE material), SPT-3, SJT, SJTW, SJTO, SJTOW, SJ, SJO, SJOW, SJOOW, EVT, EVJT, EVE, EVJE	15/125
YP-11C	1-15	18/2	NISPT-2 (TPE), NISPT-1, NISPT-2, EVT, EVJT, EVE, EVJE	10/125
YP-12	5-15	18/3	SVT, SJT, SJTW, SJTO, SJTOW, ST, STW, STOW (Shielded and Non-shielded for all types), SVTO, SPT-2, SPT-3 (All TPE material), SVT, SVT Shielded,	10/125

			SJOOW, SO, SOO, SOW, SOOW (Shielded or Non-shielded for above types), SPT-3	
		16	SJT, SJTW, SJTO, SJTOW, ST, STW, STOW (Shielded and Non-shielded for all types), SPT-3 (All TPE material), SJT, SJTW, SJTO, SJTOW, ST, STW, STOW, SJ, SJO, SJOO, SJOW, SJOOW, SO, SOO, SOW, SOOW (Shielded or Non-shielded for above types), SPT-3	13/125 or 250
		15	SJT, SJTW, SJTO, SJTOW, ST, STW, STOW (Shielded and Non-shielded for all types), SPT-3 (All TPE material), SJT, SJTW, SJTO, SJTOW, ST, STW, STOW, SJ, SJO, SJOO, SJOW, SJOOW, SO, SOO, SOW, SOOW (Shielded or Non-shielded for above types), SPT-3	10, 14/125 or 250
		14	SJT, SJTW, SJTO, SJTOW, ST, STW, STOW (Shielded and Non-shielded for all types), SPT-3 (All TPE material), SJT, SJTW, SJTO, SJTOW, ST, STW, STOW, SJ, SJO, SJOO, SJOW, SJOOW, SO, SOO, SOW, SOOW (Shielded or Non-shielded for above types), SPT-3	15/125 or 250
		12	SJT, SJTW, SJTO, SJTOW, ST, STW, STOW (All TPE material, Shielded and Non-shielded for all types), SJT, SJTW, SJTO, SJTOW, ST, STW, STOW, SJ, SJO, SJOO, SJOW, SJOOW, SO, SOO, SOW, SOOW (Shielded or Non-shielded for all types)	15/125 or 250
YC-12(A.C.1)	IEC C13	12	SJT, SJTW, SJTO, SJTOW, ST, STW, STOW, SPT-3 (All TPE material), SJT, SJTW, SJTO, SJTOW, ST, STW, STOW, SO, SOW, SOOW, SPT-3	15/125 or 250
		10	SJT, SJTW, SJTO, SJTOW, ST, STW, STOW (All TPE material), SJT, SJTW, SJTO, SJTOW, ST, STW, STOW, SO, SOW, SOOW	15/125 or 250
YC-12C	IEC C13	18	NISPT-2 (TPE), NISPT-2	10/125 or 250
		16	NISPT-2 (TPE), NISPT-2	13/125 or 250
YC-13	IEC C7	18	SPT-1, SPT-2, NISPT-2, SVT, SJT (All TPE material), SPT-1, SPT-1W, SPT-2, SPT-2W, NISPT-1, NISPT-2, SVT, SJT	2.5/250 or 7/125
YC-13W	IEC C7P	18	SPT-1, SPT-2, NISPT-2, SVT, SJT (All TPE material), SPT-1, SPT-1W, SPT-2, SPT-2W, NISPT-1, NISPT-2, SVT, SJT	2.5/250 or 7/125
YC-14	IEC C5	18	SPT-2, SVT, SVT shielded, SVTO, SJT, SJT shielded, SJTW, SJTW shielded, SJTO, SJTOW (All TPE material), SVT, SVT Shielded, SVTO, SJT, SJT Shielded, SJTW, SJTW Shielded, SJTO, SJTOW, SV, SVO, SJ, SJO, SJOW, SJOOW	2.5/250 or 7/125
			SPT-2	
YC-13L	IEC C7	18	SPT-1, SPT-2, NISPT-2, SVT, SJT (All TPE material), SPT-1, SPT-1W, SPT-2, SPT-2W, NISPT-1, NISPT-2, SVT, SJT	2.5/250 or 7/125
YC-13D	IEC C7	18	SPT-1, SPT-2, NISPT-2, SVT, SJT (All TPE material), SPT-1, SPT-1W, SPT-2, SPT-2W, NISPT-1, NISPT-2, SJT, SVT	2.5/250 or 7/125
YC-13C	IEC C7	18	NISPT-2 (All TPE material), NISPT-1, NISPT-2	2.5/250 or 7/125
YC-13E	IEC C7	18	SPT-1, SPT-2, NISPT-2, SVT, SJT (All TPE material), SPT-1, SPT-1W, SPT-2, SPT-2W, NISPT-1, NISPT-2, SVT, SJT	2.5/250 or 7/125
YC-14L, YC-14L-1, YC-14L-2, YC-14L-3	IEC C5	18	SVT, SJT, SPT-2 (All TPE material), SVT, SJT, SPT-2	2.5/250 or 7/125
YC-18	IEC C19	16	SJT, SJTW, SJTO, SJTOW, SJTOOW, ST, STW, STOW, STOOW, SPT-3 (All TPE material), SJT, SJTW, SJTO, SJTOW, SJTOOW, SJ, SJO, SJOO, SJOW, SJOOW, ST, STW, STOW, STOOW, S, SO, SOW, SOO, SOOW, SPT-3	13/125 or 250
		15	SJT, SJTW, SJTO, SJTOW, SJTOOW, ST, STW, STOW, STOOW, SPT-3 (All TPE material), SJT, SJTW, SJTO, SJTOW, SJTOOW, SJ, SJO, SJOO, SJOW, SJOOW, ST, STW, STOW, STOOW, S, SO, SOW, SOO, SOOW, SPT-3	16/125 or 250
		14	SJT, SJTW, SJTO, SJTOW, SJTOOW, ST, STW, STOW, STOOW, SPT-3 (All TPE material), SJT, SJTW, SJTO, SJTOW, SJTOOW, SJ, SJO, SJOO, SJOW, SJOOW, ST, STW, STOW, STOOW, S, SO, SOW, SOO, SOOW, SPT-3	16/125 or 250





# Certificate of Compliance

**Certificate:** 1147855 (LR 76393)

**Master Contract:** 177323

**Project:** 70057581

**Date Issued:** March 1, 2016

**Issued to:** Yung Li Company Ltd.  
 1F No 10 Lane 235 Pao Chiao Rd  
 Hsin Tien City  
 Taipei Hsien,  
 TAIWAN  
 Attention: W.T. Lai

*The products listed below are eligible to bear the CSA Mark shown*



**Issued by:** Wenwen (Vivian) Zhao  
 Wenwen (Vivian) Zhao

## **PRODUCTS**

CLASS - C584202 - CORD SETS-Power Supply Cords

Power supply cord(s) consisting of the following plug caps moulded onto flexible cords as listed:

Cat/Model	Configuration	Rating	AWG	Flexible Cord Type
YP-11, YP-11W	1-15P	10A, 125V	18	SPT-1(I&N), SPT-2(I&N),SVT, SJT
		13A, 125V	16	SPT-2(I&N), SVT
YP-12, YP-12L	5-15P	10 A, 125 V	18	SPT-2, SVT(S&U), SJT
		13 A, 125 V	16	SPT-2, SJT
		15 A, 125 V	14	SJT
YP-12A	5-15P	15 A, 125 V	14	ST
YP-32, YP-32L	2p, 3W (Sp) (Sd)	10 A, 125/250 V	18	SVT*, SJT* , SJTW*, SJTO*, SJTOW*, ST*, STW*, STOW*, SJ*, SJO*, SJOO*, SJOOW*, SO*, SOO*, SOW*, SOOW*
		13A, 125/250 V	16	SJT* , SJTW*, SJTO*, SJTOW*, ST*, STW*, STOW*, SJ*, SJO*, SJOO*, SJOOW*, SO*, SOO*, SOW*, SOOW*
		15A, 125/250 V	14	SJT* , SJTW*, SJTO*, SJTOW*, SJ*, SJO*, SJOO*, SJOOW*, SO*, SOO*, SOW*, SOOW*



**Certificate:** 1147855  
**Project:** 70057581

**Master Contract:** 177323  
**Date Issued:** March 1, 2016

---

Legend: “W” Polarized; (I&N) denoted Integral and Non-integral. (Sp) - Special-use; (Sd) - Shrouded; \* – Shielded and Unshielded.

Note: These are sold to manufacturers for the assembly as components of Certified electrical equipment where the suitability of the combination is determined by CSA International.

### **APPLICABLE REQUIREMENTS**

CSA Std. C22.2 No. 21	-Cord Sets and Power Supply Cords
CSA Std. C22.2 No. 42	-General Use Receptacles, Attachment Plugs and Similar Wiring Devices
CSA Std. C22.2 No. 182.3	-Special Use Attachment Plugs, Receptacles, and Connectors
INFORMS Cord Sets No.7A	-Production-Line Test for Cord Sets and Power-Supply Cords



## *Supplement to Certificate of Compliance*

**Certificate:** 1147855 (LR 76393)

**Master Contract:** 177323

*The products listed, including the latest revision described below,  
are eligible to be marked in accordance with the referenced Certificate.*

### **Product Certification History**

<b>Project</b>	<b>Date</b>	<b>Description</b>
70057581	2016-03-01	Consolidating report 1299529 and update report 1147855 to comply with standards C22.2 No.21-14 and No.42-10.
2640509	2013-10-14	Update Report 1147855 to increase the electric rating to 250V, cover additional flexible cord, outer body PVC material, CS-9731 for power supply Cat No. YP-32, also include Cat No YP-32L.
1868155	2007-03-19	Update to Report 1147855 to include alternative PVC compounds for plug caps, Cat Nos YP-12, YP-12L, YP-12A, YP-32.
1211672	2001-10-11	Update of Report 1147855 to include 5-15P plug cap, Cat No. YP-12L.
1147855	2001-03-14	Power supply Cords incorporating plug caps, Cat Nos YP12, YP12L, YP-12A, YP-32. (Supersedes Report LR 76393-1 and include 5-15P plug cap, Cat No. YP-12A and Cover additional cord Type SPT-2, 18-16/3; SJT, 14/3 for Cat No YP-12.
LR 76393-6	1998-05-25	Supplementary certification of power supply cords covered in Report LR 76393-1 to comply with CSA Certification Notice - Wiring Products No. 6.
LR 76393-2	1996-02-02	Update to Report LR 76393-1, power supply cords incorporating plugs, Cat Nos YP-12 and YP-32 to include additional size and type of flexible cord.
LR 76393-1	1993-06-30	Original certification to power supply cords incorporating plug caps Cat Nos YP-12, YP-12A and YP-32.

**ZJCZ.E241374**  
**Flexible Cord**[Page Bottom](#)

---

**Flexible Cord**[See General Information for Flexible Cord](#)**YUNG LI CO LTD**

E241374

7F-12 NO 99 SEC 1 XINTAI 5TH RD  
XIZHI DISTRICT  
NEW TAIPEI, 22175 TAIWAN**Decorative cord**, Type(s) SPT-1W, SPT-2W**Dryer and range cord**, Type(s) SRDT**Jacketed cord**, Type(s) S, SE, SE-HF, SJ, SJE, SJE-HF, SJO, SJO, SJOOW, SJOW, SJT, SJT-B, SJTO, SJTOW, SJTW, SO, SOO, SOOW, SOW, ST, ST-B, STO, STOW, STW, SVE, SVE-HF, SVT, SVT-B, SVTO**Parallel cord**, Type(s) NISPE-1, NISPE-1-HF, NISPE-2, NISPE-2-HF, NISPT-1, NISPT-2, SPE-1, SPE-1-HF, SPE-2, SPE-2-HF, SPE-3, SPE-3-HF, SPT-1, SPT-2, SPT-3[Last Updated](#) on 2016-03-07

---

[Questions?](#)[Print this page](#)[Terms of Use](#)[Page Top](#)

◆ 2016 UL LLC

The appearance of a company's name or product in this database does not in itself assure that products so identified have been manufactured under UL's Follow-Up Service. Only those products bearing the UL Mark should be considered to be Certified and covered under UL's Follow-Up Service. Always look for the Mark on the product.

UL permits the reproduction of the material contained in the Online Certification Directory subject to the following conditions: 1. The Guide Information, Assemblies, Constructions, Designs, Systems, and/or Certifications (files) must be presented in their entirety and in a non-misleading manner, without any manipulation of the data (or drawings). 2. The statement "Reprinted from the Online Certifications Directory with permission from UL" must appear adjacent to the extracted material. In addition, the reprinted material must include a copyright notice in the following format: "© 2016 UL LLC".



# Certificate of Compliance

**Certificate:** 1594794 (LL 76398)

**Master Contract:** 177323

**Project:** 2616524

**Date Issued:** April 3, 2013

**Issued to:** Yung Li Company Ltd.

1F No 10 Lane 235 Pao Chiao Rd  
Hsin Tien City  
Taipei Hsien,  
Taiwan  
Attention: Wendy Wu

*The products listed below are eligible to bear the CSA Mark shown*



*Kim Nguyen*

**Issued by:** Kim Nguyen, P. Eng.

## **PRODUCTS**

**CLASS 5831 01** - WIRES - Flexible Cord

Types SPT-1, NISPT-1, SPT-2, NISPT-2, SPT-3, SVT, SVTO, SJT, SJTW, SJTO, SJTOW, ST, STW, STO, STOW with PVC insulation and jacket, rated 60C, 75C, 90C and 105C, FT1, FT2, VW-1.

## **APPLICABLE REQUIREMENTS**

CSA C22.2 No 49 - Flexible Cords and Cables