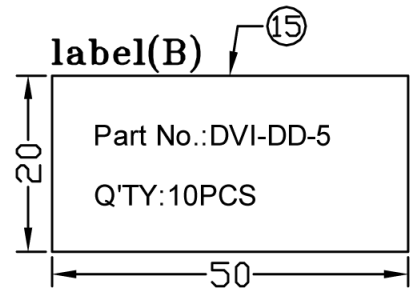
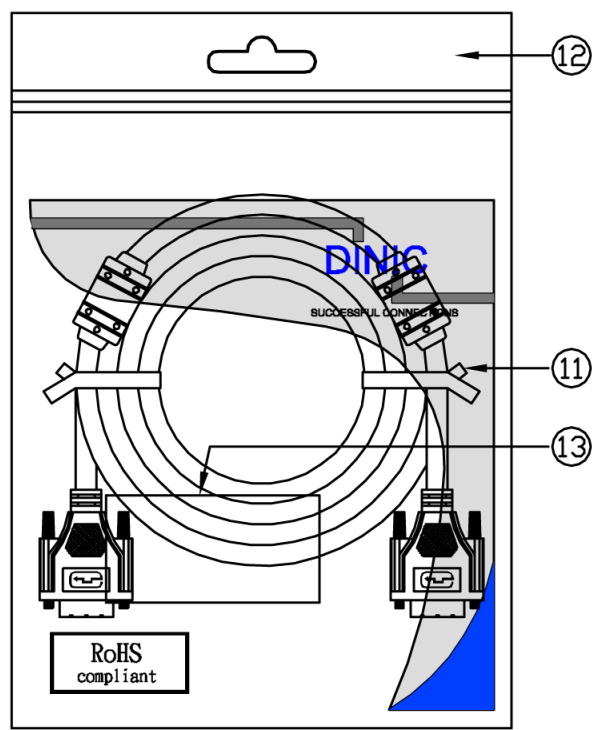
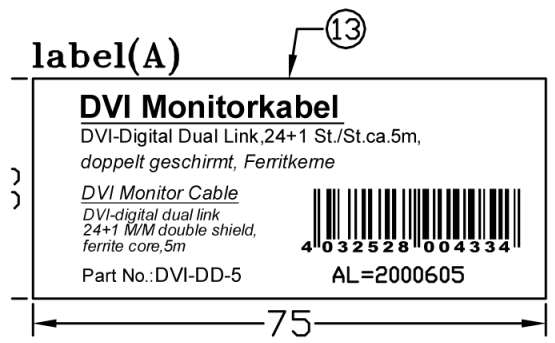
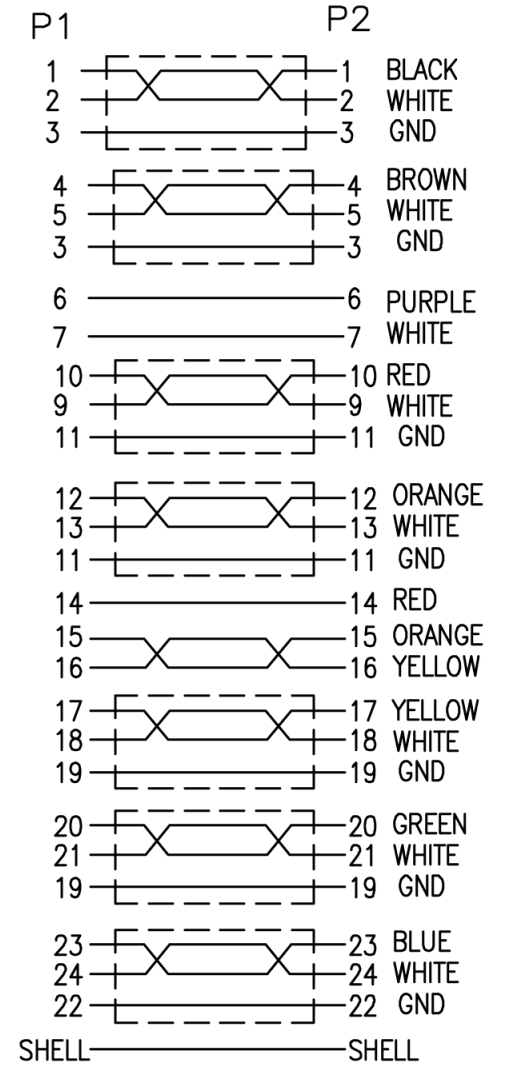
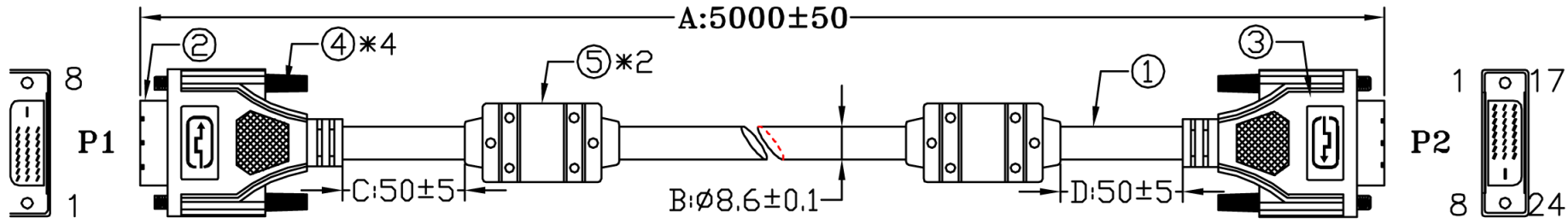


| | | |
|---------|--------------|--------|
| WEIGHT | CUSTOMER NO: | REMARK |
| 552g-K5 | DVI-DD-5 | MAG |



RoHS Compliant

RoHS compliant

| | |
|---|--|
| 3 | OUTER JACKET PVC 45Pa LIGHT GRAY(2005) (RoHS) |
| 2 | DVI24+1 MALE BLACK SOLDER TYPE TERMINAL PLATED GOLD W/METAL HOOD DD:9.5MM (RoHS) |
| 1 | UL20276(28#1P+A+D)*7+28#1P+28#3C+A+B(128BAM)+D DD:8.6MM LIGHT GRAY(2005) 5000MM (RoHS) |

| | | | |
|--|---------------|-------------|----------------------------------|
| A | FIRST EDITION | ••••• | 21/11/08 |
| REV. | ECR | DESCRIPTION | C.N. DATE |
| THESE DRAWINGS AND SPECIFICATIONS ARE THE PROPERTY OF WIRETEK COMPUTER LIMITED AND SHALL NOT BE REPRODUCED COPIED OR USED IN ANY MANNER WITHOUT THE PRIOR WRITTEN CONSENT OF WIRETEK COMPUTER LIMITED. | | TITLE | |
| UNLESS OTHERWISE SPECIFIED: DIMENSIONS ARE IN MILLIMETERS ANGULAR TOLERANCE: ±1.0° | | DVI CABLE | |
| DIMENSIONS | TOLERANCE | CHKD. | CONF. |
| 0.00 TO 30.00mm | ±0.10mm | | |
| 30.01 TO 80.00mm | ±0.13mm | DR. | APPD. |
| 80.01 TO 150.00mm | ±0.15mm | ••••• | |
| 150.01mm ↑ | ±0.20mm | PART NO. | 2160-0179 |
| MATERIAL | | SCALE | SHEET 1/1 UNIT MM SIZE A4 REV. A |
| FINISH | | | |