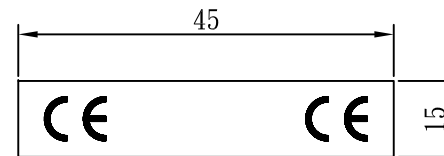
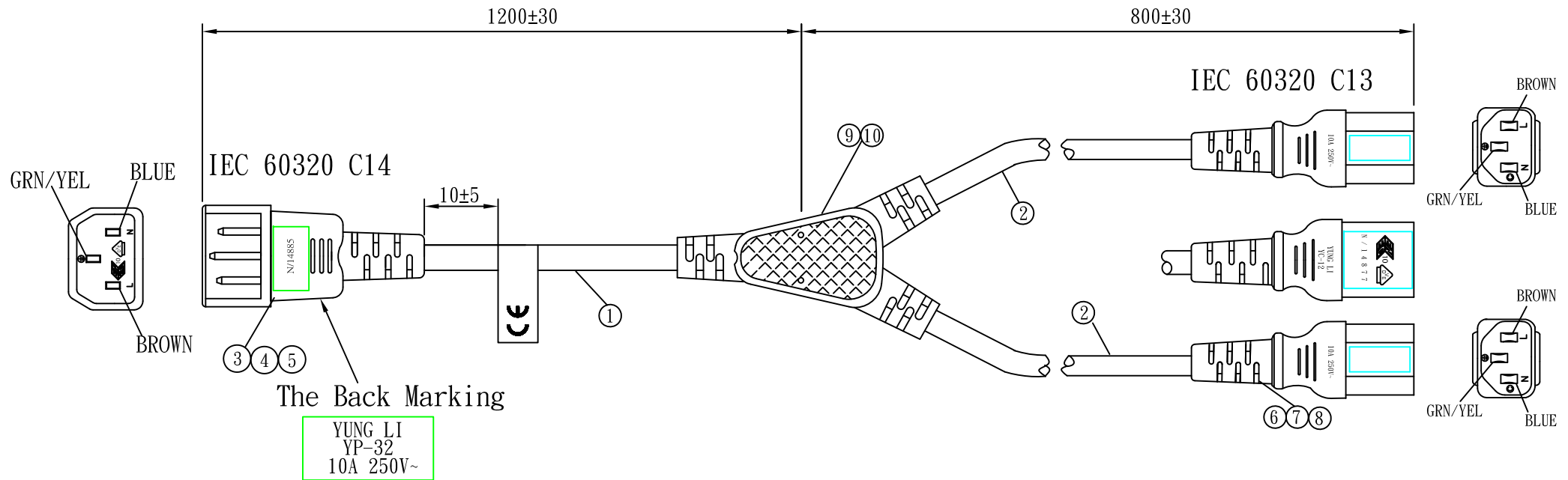




N/14885



N/14877



Sample Drawing NO.:
SP140730-02

NO.	SPECIFICATION	Q' TY	REMARK
1	H05VV-F 1.0/3C BLACK	1PC	
2	H05VV-F 1.0/3C BLACK	2PCS	
3	YP-32 PVC PLASTIC:50P BLACK	15g/PC	
4	YP-32 INNER BODY:2X4 BLACK(MARKING)	1PC	
5	TER:98672	3PCS	
6	YC-12 PVC PLASTIC:50P BLACK	18g/PC	
7	TER:97740BS-0	6PCS	
8	YC-12 INNER BODY	2PCS	
9	SR-6 PVC PLASTIC:50P BLACK	8g/PC	
10	TER:99146	3PCS	
11	Label:45*15mm CE	1PC	LABEL-4144

Tolerance >0±0.30 >1.0±0.50 >10.0±1.0 >20.0±2.0 Angle: ±1°	Approved		Date		YUNG LI CO., LTD.			
	Checked		Date					
	Drawn	SUKI	Date	14.07.30	Customer	MAG		
	Cat. No.	YP-32/SR6+YC-12*2			P/N.	CB-K-Y-2M		
	Drawing No.	CY-V0144		Rev.	B	Material	P.V.C	Unit
					Scale			