

# 東莞永力電業有限公司

YUNG LI CO., LTD

Da Pu Industrial Zone, Gang Zi, Changping Town,  
Dong Guan City, Guangdong 523571 China.P.R.C

TEL:0769-83396797~8

FAX:0769-83396796

E-mail: sales@yung-li.com

Description: YP-21K/YC-13

Customer: MAG

Parts No. : CB-8-K0

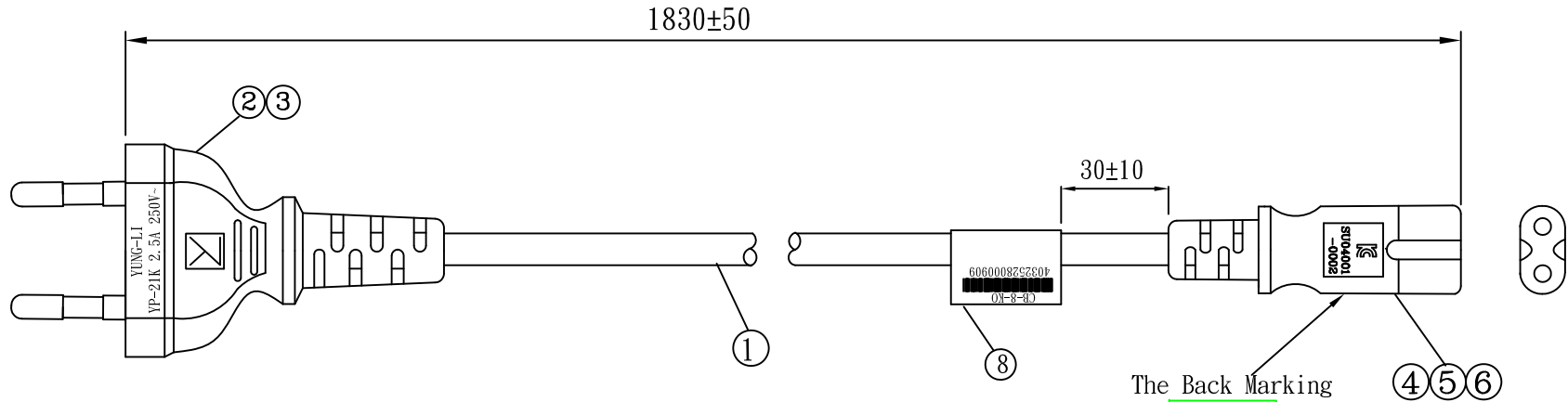
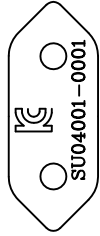
Draw No. :

## *REVISION RECORD*

1		
2		
3		
4		
5		

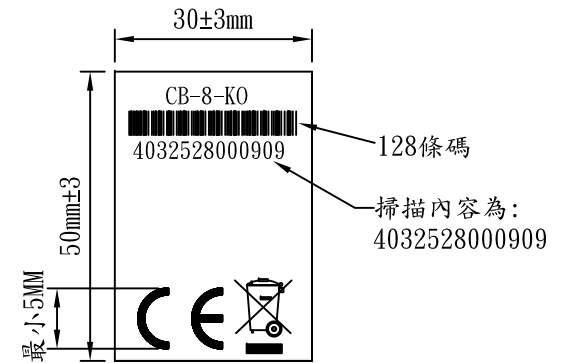
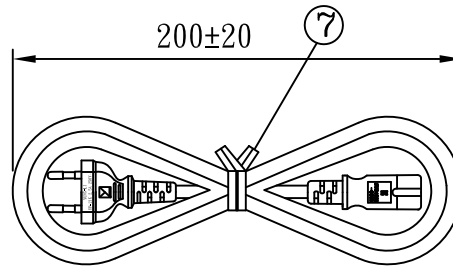
YUNG LI	
CHECKED	PREPARED BY

CUSTOMER	APPROVED



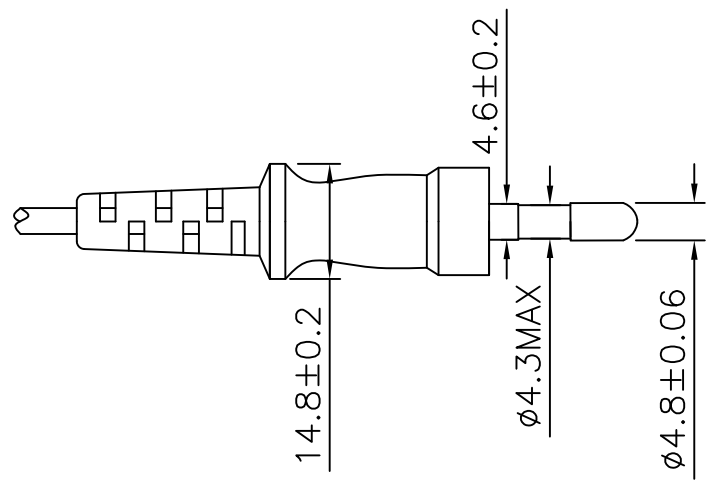
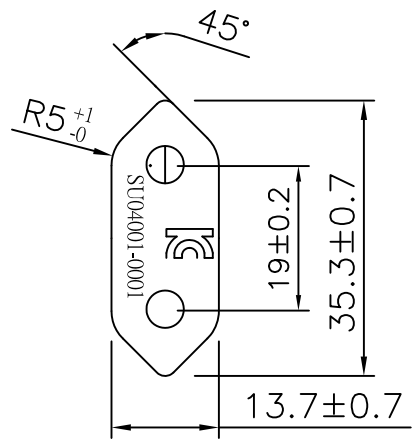
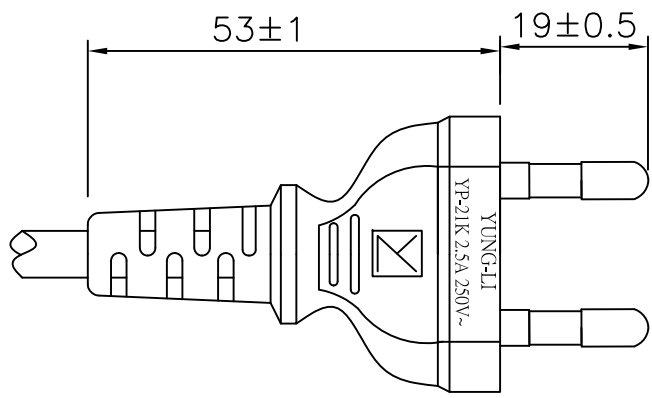
The Back Marking

YUNG-LI  
YC-13  
2.5A 250V~



NO.	SPECIFICATION	QTY	REMARK
1	H03VVH2-F 0.75/2C BLACK	1PC	1820±15(YL)
2	YP-21K PVC PLASTIC:50P BLACK	18g/PC	
3	FRAME/2PIN (P98077N)	1PC	
4	YC-13 PVC PLASTIC:50P BLACK	9g/PC	
5	YC-13 TER	2PCS	
6	YC-13 H. S. G BLACK	1PC	
7	MINI TIE:L=130mm BLACK	1PC	
8	LABEL:50X30mm 128 Code	1PC	Label-6693

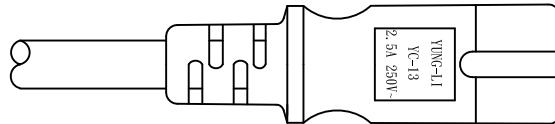
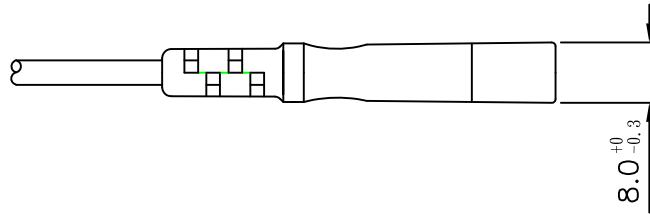
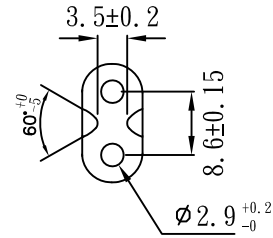
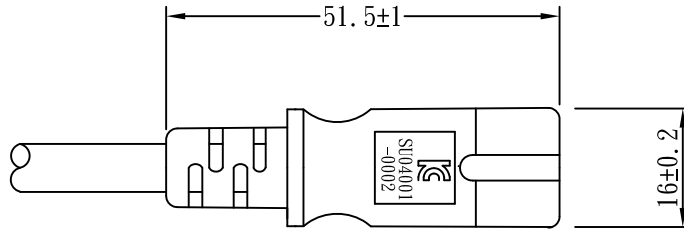
Tolerance >0.±0.30 >1.0±0.50 >10.0±1.0 >20.0±2.0 Angle: ±1°	Approved		Date		YUNG LI CO., LTD.			
	Checked		Date					
	Drawn	SUKI	Date	19.06.05	Customer	MAG		
	Cat. No.	YP-21K/YC-13			P/N.	CB-8-KO		
	Drawing No.	CY-K0073-07	Rev.	B	Material	P.V.C	Unit	mm
				Scale				



TOLERANCE >0±0.30 >1.0±0.50 >10.0±1.0 >20.0±2.0 Angle: ±1°	APPROVED		DATE		YUNG LI CO., LTD			
	CHECKED		DATE					
	DRAWN	羅生英		11.03.24				
	TYPE	YP-21K			P/N			
	DRAWING NO.	D-P21KB			MATERIAL	P. V. C	UNIT	mm
				SCALE	1:1	⊕	▭	



IEC 60320 C7



TOLERANCE >0±0.30 >1.0±0.50 >10.0±1.0 >20.0±2.0 Angle: ±1°	APPROVED		DATE		YUNG LI CO., LTD			
	CHECKED		DATE					
	DRAWN		DATE					
	TYPE	YC-13			P/N			
	DRAWING NO.	CY-C13K			MATERIAL	P. V. C	UNIT	mm
					SCALE	1:1		

# YUNG LI CO., LTD

## SPECIFICATION

Yung Li	Style	PVC FLEXIBLE CORDS	Document No
2019.04.22			CY-V04034
Edition	Size	<b>H03VVH2-F 2 x 0.75mm<sup>2</sup></b>	Page
A			1/2

1. Standard: IEC 227 IEC228

### 2. Construction & Dimension

	Item	Specification
Conductor	Size	2 x 0.75mm <sup>2</sup>
	Material	Annealed Bare Copper
	Construction	67 / $\phi$ 0.12±0.01
Insulation	Material	PVC
	Minimum Average Thickness	0.50mm
	Minimum Thickness at any point	0.35mm
	Diameter	2.15 ± 0.10
	Identification	Blue,Brown
Core Assembly	Core Twist	2-Core
	Filler	NA
	Assembly Pair	NA
Taping	Mylar Foil	NA
Shielded	A1-Mylar Foil	NA
Drain	Material	NA
	Construction	NA
Jacket	Material	PVC
	Minimum Average Thickness	0.60mm
	Minimum Thickness at any point	0.44mm
	Overall Diameter(Approx)	3.4 ± 0.1/5.6±0.15
	Color	Any Color

### Marking:

Yung Li Co., Ltd. H03VVH2-F 2X0.75mm<sup>2</sup> <VDE> NF-USE 1347 (NF) KEMA-KEUR △CEBEC <OVE>  
 (D) (FI) (N) (S) (S) IEMMEQU SAA-190646-EA (CCC) A004049 60227 IEC 52(RVV) 300/300V (K) SU01027-4001

# YUNG LI CO., LTD

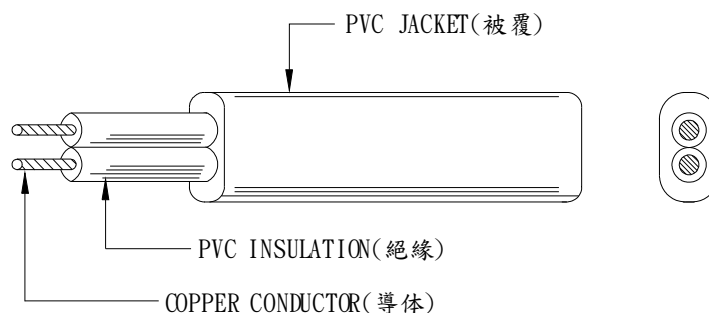
## SPECIFICATION

Yung Li	Style	PVC FLEXIBLE CORDS	Document No
2019.04.22			CY-V04034
Edition	Size	<b>H03VVH2-F 2 x 0.75mm<sup>2</sup></b>	Page
A			2/2

### 3. Electrical & Physical Properties

Item		Specification	
Rating Voltage		70°C 300V	
Conductor resistance(AT 20°C)		26.0Ω/Km MAX	
Insulation Resistance(AT 70°C)		0.010MΩ/Km Min	
Dielectric Strength		AC 2.0 KV / 15 min No Break	
Spark Test		5.0KV	
Insulation	Unaged	Tensile Strength	1500 lbs/in <sup>2</sup> min
		Elongation	150% Min
	Aged	Tensile Strength	80~120% (80°C x168hrs)
		Elongation	80~120% (80°C x168hrs)
Jacket	Unaged	Tensile Strength	1500 lbs/in <sup>2</sup> min
		Elongation	150% Min
	Aged	Tensile Strength	80~120% (80°C x168hrs)
		Elongation	80~120% (80°C x168hrs)
Deformation Test		70±4°C X 1hr ≤ 50%	
Cold Bend Test		-15°C x 4hr No Crack	
Heat Shock Test		150±2°C x 1hr No Crack	

### Graph:



접수번호 : 17-080694-03-1  
(Receipt No.)



# 안전인증서

## Safety Certificate

안전인증번호 : SU01027-17003  
(Certificate No.)

제조업자/수입업자명 : Yung Li Co.,Ltd  
(Manufacturer/importer)

주소 : Da Pu Industrial Zone, Chang Ping Town, Dongguan City,  
(Address) GuangDong Province China 523571

제품명 : 코드세트(Cordset)  
(Product)

기본모델명 : YP-21K+YC-13  
(Basic Model)

파생모델명 : Not Applicable  
(Series Model)

정격/안전기준상의 모델구분 : 2.5 A 250 VAC  
(Rating)

시험기준 : KC60799(2015-09)  
(Standard)

본 인증서는 제조국명 : 중국  
제조업자명 : Yung Li Co.,Ltd  
제조공장의 주소 : Da Pu Industrial Zone, Chang Ping Town, Dongguan City, GuangDong Province China 523571  
의 제품에만 해당함

「전기용품 및 생활용품 안전관리법 시행규칙」 제9조제2항·제4항 또는 제10조제2항에 따라 안전인증서를 발급합니다.

We Issue This Safety Certificate for the above appliances in accordance with the Article 9(2),9(4) or10 (2) of the Enforcement Rule of the Electrical Appliances and Consumer Products Safety Control Act.

2018 년 01 월 17 일  
Year month day

### 한국산업기술시험원장

### KOREA TESTING LABORATORY



\* 이 인증서는 「전기용품 및 생활용품 안전관리법 시행규칙」에 따른 제품의 안전성 확인에 한정된 것이며, 그 밖의 다른 법률이 적용되는 제품의 경우에는 해당 법률에 따라 추가로 인증·허가 등을 받아야 합니다.

첨부서류	1. 전기용품의 안전관리부품 및 재질목록(List of Critical Components) 2. 기본모델·파생모델의 내용 (Descriptions of the basic and series model) 3. 안전인증의 변경 현황 (Revisions Status)
------	---

# CERTIFICATE

OF SAFETY FOR ELECTRICAL APPLIANCES

Certification Number : SU01027-4001

Ref. No. : 04-1920-4371

Manufacturer's Name : Yung Li Co., Ltd.  
& Address : Da Pu Industrial Zone, Chang Ping Town, Dongguan City,  
GuangDong Province, China 523571

Factory Address : Same as Manufacturer's

Certified Product

1. Product	: 코드류 (Polyvinyl chloride insulated cord)
2. Basic Model	: 60227 IEC 52 (H03VVH2-F) 2Cx0.75mm <sup>2</sup>
3. Rating	: 300/300V
4. Derivative Model	: See the Attachment1

Applied Standard : K60227-5

Attached Supplement : 1. General Description of Certified Products

*This is to certify that the product shown above is complied with the safety standards under the Electrical Appliance Safety Control Law, paragraph 2 of Article 5 and is manufactured by a scheme that follows continuous obligations of safety. The product listed above is eligible to bear the Korean Safety Mark.*

Date of Issue: December 27, 2004



CERTIFICATION BODY  
KOREA TESTING LABORATORY

-----  
Jong-Myung Lee / Certification Director



**별첨 1: 파생모델구분 및 특기사항**  
 General description of Certified Products

파생모델명 Derivative model	기본모델과의 차이점 Differences between the basic and derivative model(s)
60227 IEC 52 (H03VVH2-F), 2x0.5 mm <sup>2</sup>	Nominal sectional area
60227 IEC 52 (H03VV-F), 2x0.5 mm <sup>2</sup> , 0.75 mm <sup>2</sup>	Nominal sectional area
60227 IEC 52 (H03VV-F), 3x0.5 mm <sup>2</sup> , 0.75 mm <sup>2</sup>	Nominal sectional area & number of conductors
제품특기사항 및 시험조건 Remarks & Test conditions	
<p>1. Test Report No. : 04-1920-4371 (2004.12.23)</p> <p>2. Product Description</p> <ul style="list-style-type: none"> <li>- "60227 IEC 52 (H03VVH2-F) 2Cx0.75 mm<sup>2</sup>" is                      rated nominal sectional area is 0.75 mm<sup>2</sup>, constructed with 2 wires without ground wire,                      external figure is the flat type, sheathed with polyvinyl chloride</li> <li>- Permitted maximum using voltage between live and earth line &amp; between live lines                      is AC300V/300V.</li> <li>- "60227 IEC 52 (H03VVH2-F) cord" means "sheathed flexible power cable insulated with                      polyvinyl chloride" &amp; the external sheath figure is flat.</li> </ul>	
<p><input type="checkbox"/> 본 제품의 시험내용에 관하여 문의하실 사항이 있으시면 아래 연락처로 문의하시기 바랍니다.                      시험담당자 : 전기전자본부 신뢰성평가팀, 강호우 / (02)8601-415</p> <p><input type="checkbox"/> If you have any question on product testing, please contact the person below :                      Job holder : Electrotechnical Center Reliability Assessment Team, H.W.KANG/+82 2 8601-415</p>	

FP511-09-00