

# 東莞永力電業有限公司

YUNG LI CO., LTD

Da Pu Industrial Zone, Gang Zi, Changping Town,  
Dong Guan City, Guangdong 523571 China.P.R.C

TEL:0769-83396797~8

FAX:0769-83396796

E-mail: sales@yung-li.com

Description: YP-21K/YC-13L

Customer: MAG

Parts No. : CB-8-KO-L

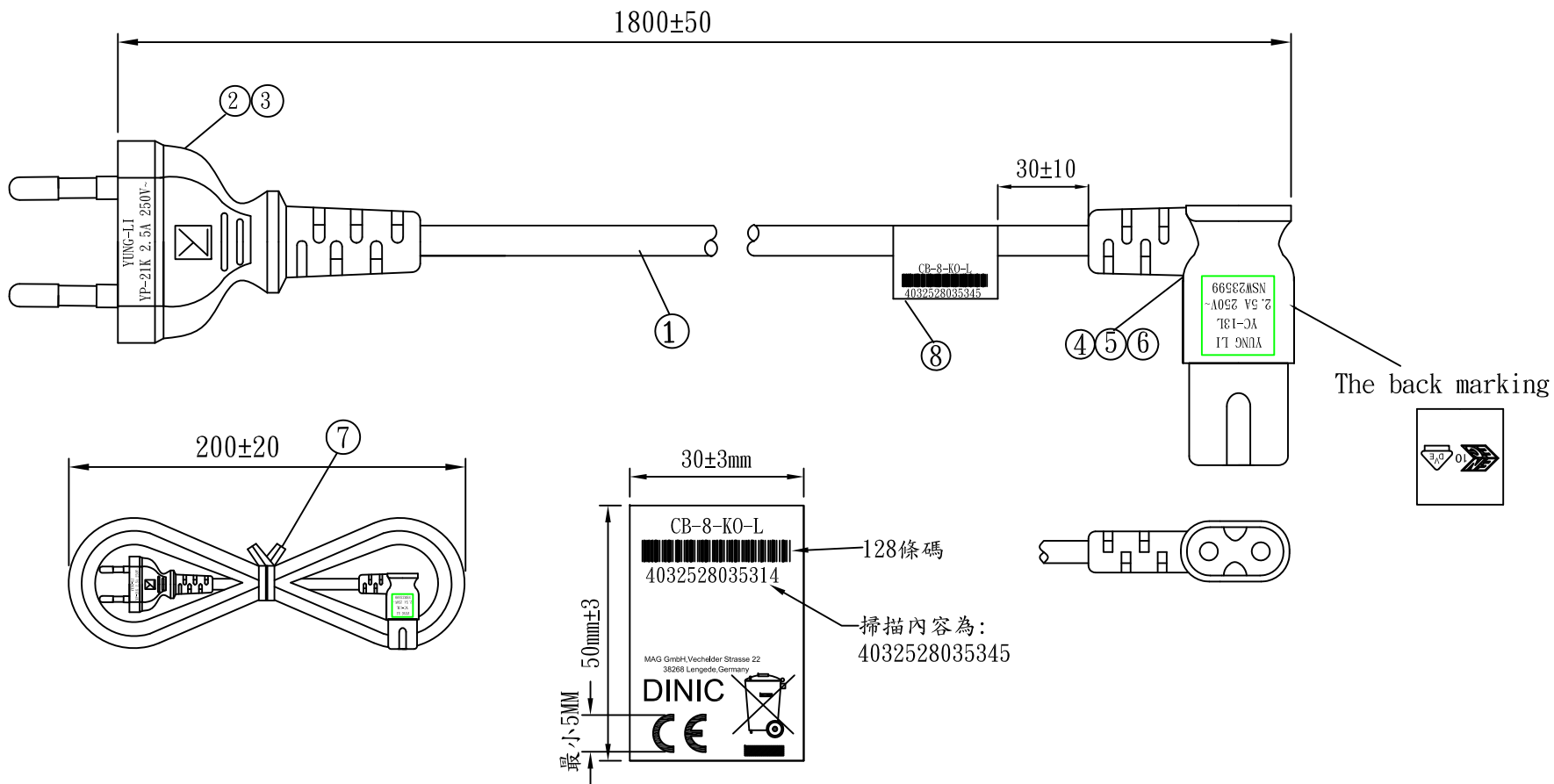
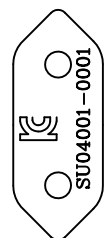
Draw No. :

## *REVISION RECORD*

1		
2		
3		
4		
5		

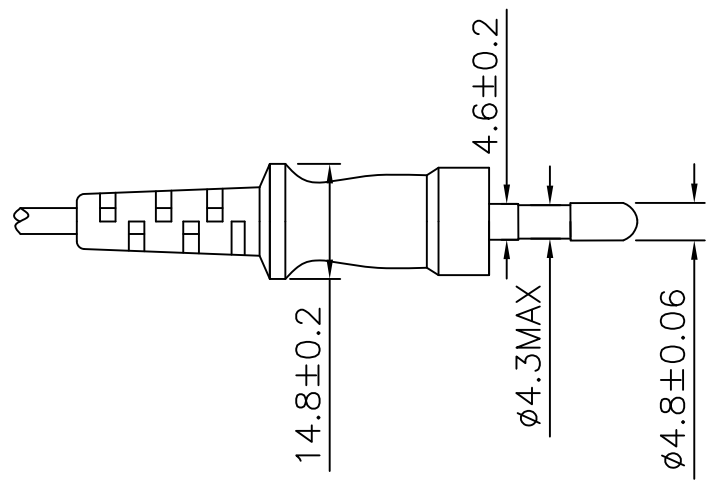
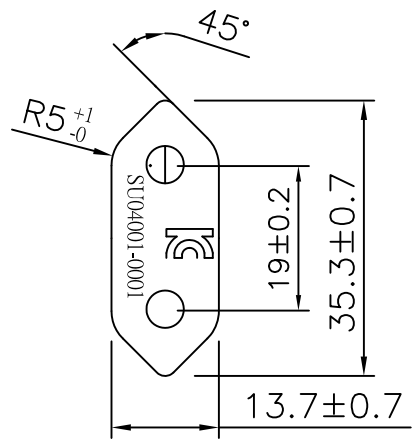
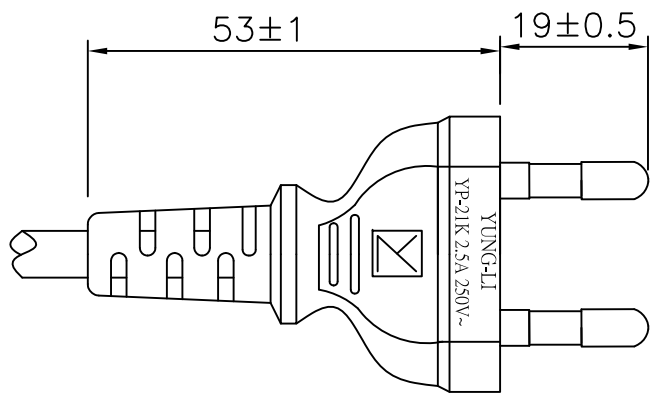
YUNG LI	
CHECKED	PREPARED BY

CUSTOMER	APPROVED



NO.	SPECIFICATION	QTY	REMARK
1	H05VVH2-F 0.75/2C BLACK	1PC	
2	YP-21K PVC PLASTIC:50P BLACK	18g/PC	
3	FRAME/2PIN (98077N)	1PC	
4	YC-13L PVC PLASTIC:50P BLACK	9g/PC	
5	YC-13L TER	2PCS	
6	YC-13L H. S. G BLACK	1PC	
7	MINI TIE BLACK	1PC	
8	LABEL:50*30mm	1PC	

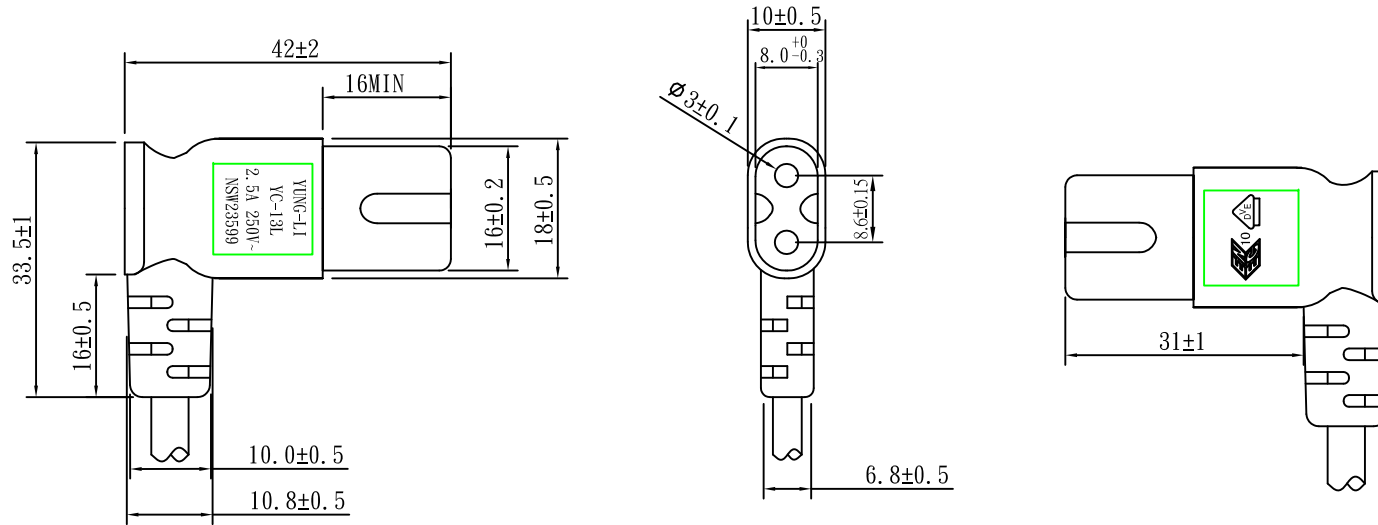
Tolerance	Approved	Date		<b>YUNG LI CO.,LTD</b>			
	Checked	Date					
>0±0.30	Drawn	SUKI	Date	21.06.24	Customer	MAG	
>1.0±0.50	Cat. No.	YP-21K/YC-13L			P/N.	CB-8-K0-L	
>10.0±1.0	Drawing No.	Rev.	B	Material	P.V.C	Unit	mm
>20.0±2.0		Scale					
Angle: ±1°							



TOLERANCE >0±0.30 >1.0±0.50 >10.0±1.0 >20.0±2.0 Angle: ±1°	APPROVED		DATE		YUNG LI CO., LTD			
	CHECKED		DATE					
	DRAWN	羅生英		11.03.24				
	TYPE	YP-21K			P/N			
	DRAWING NO.	D-P21KB			MATERIAL	P. V. C	UNIT	mm
				SCALE	1:1	⊕	▭	



NSW23599



一般寸法公差: >0±0.30 >1.0±0.50 >10.0±1.0 >20.0±2.0 Angle: ±1°	核准		日期		東莞永力電業有限公司 YUNG LI CO., LTD.			
	審核		日期					
	制圖	周淑萍	日期	16.12.02	料號			
	型號	YC-13L(ENEC)			材質	P.V.C	單位	mm
圖號				比例	1:1			

# YUNG LI CO., LTD

## SPECIFICATION





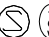




Yung Li	Style	PVC FLEXIBLE CORDS	Document No
2012.08.23			
Edition	Size	<b>H05VVH2-F 2 x 0.75mm<sup>2</sup></b>	Page
A			1/2

1. Standard: IEC 227 IEC228

2. Construction & Dimension

	Item	Specification
Conductor	Size	2 x 0.75mm <sup>2</sup>
	Material	Annealed Bare Copper
	Construction	67/ § 0.12±0.01
Insulation	Material	PVC
	Minimum Average Thickness	0.60mm
	Minimum Thickness at any point	0.44mm
	Diameter	2.35 ± 0.10
	Identification	Blue,Brown
Core Assembly	Core Twist	2-Core
	Filler	NA
	Assembly Pair	NA
Taping	Mylar Foil	NA
Shielded	A1-Mylar Foil	NA
Drain	Material	NA
	Construction	NA
Jacket	Material	PVC
	Minimum Average Thickness	0.80mm
	Minimum Thickness at any point	0.58mm
	Overall Diameter(Approx)	4.0 ± 0.1/6.4±0.15
	Color	Any Color

### Marking:

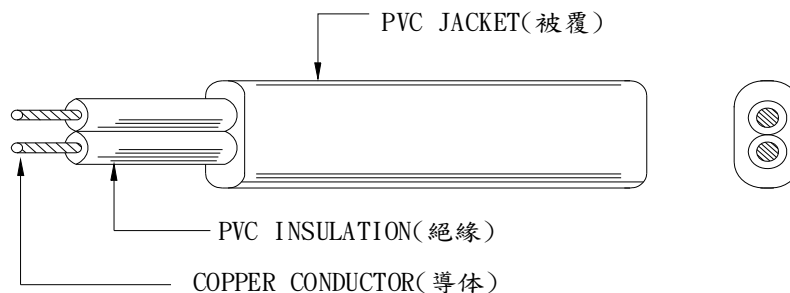
Yung Li Co., Ltd. H05VVH2-F 2X0.75mm<sup>2</sup> <VDE> NF-USE 1347  KEMA-KEUR  CEBEC <OVE>  
     IEMMEQU SAA-190646-EA  A004049 60227 IEC 53(RVV) 300/500V  SU01027-4002

# YUNG LI CO., LTD

## SPECIFICATION

Yung Li	Style	PVC FLEXIBLE CORDS	Document No
2012.08.23			
Edition	Size	<b>H05VVH2-F 2 x 0.75mm<sup>2</sup></b>	Page
A			2/2
<b>4. Electrical &amp; Physical Properties</b>			
Item		Specification	
Rating Voltage		70°C 500V	
Conductor resistance(AT 20°C)		26.0Ω/Km MAX	
Insulation Resistance(AT 70°C)		0.011MΩ/Km Min	
Dielectric Strength		AC 2.0 KV / 15 min No Break	
Spark Test		5.0KV	
Insulation	Unaged	Tensile Strength	1.02 kgf/mm <sup>2</sup> min
		Elongation	150% Min
	Aged	Tensile Strength	80~120% (80°C x168hrs)
		Elongation	80~120% (80°C x168hrs)
	Loss of mass Test		2.0mg/cm <sup>2</sup> (max)
Jacket	Unaged	Tensile Strength	1.02 kgf/mm <sup>2</sup> min
		Elongation	150% Min
	Aged	Tensile Strength	80~120% (80°C x168hrs)
		Elongation	80~120% (80°C x168hrs)
	Loss of mass Test		2.0mg/cm <sup>2</sup> (max)
Deformation Test		70±4°C X 1hr ≤ 50%	
Cold Bend Test		-15°C x 4hr No Crack	
Heat Shock Test		150±2°C x 1hr No Crack	

### Graph:





# 전기용품 안전인증서

## Electrical Appliances Safety Certificate

안전인증번호  
(Certificate No.) : SU04001-0001A

접수번호  
(Order No.) : 05-1920-0340

제 조 자 명  
(Manufacturer) : Yung Li Co., Ltd. China

공장소재지  
(Factory Address) : Da Pu Industrial Zone, Chang Ping Town, Dong Guan City,  
Guang Dong 511736, China

제 품 명  
(Product) : 일반플러그 (General Plug)

기본모델명  
(Basic Model) : YP-21K

정 격  
(Electrical Ratings) : AC250V, 2.5A

파생모델명  
(Series Model) : Not Applicable

적용기준  
(Applied Standard) : K60884-1, KSC8305

- 첨부 : 1. 기본모델·파생모델의 내용 (General Descriptions of Certified Products)  
 2. 전기용품안전인증서의 변경발급 현황 (Status of Compliance Certificate Revisions)  
 3. 안전관리 부품목록 (List of Critical Components)

전기용품 안전관리법 제5조의 규정에 의하여 위의 전기용품에 대하여 안전인증서를 교부합니다.

We Certify Electrical Appliances Safety Certification as above product by Article 5 of the Electrical Appliance Safety Control Law.

2005년 04월 06일  
year month day



안전인증기관  
산업기술시험원장  
KOREA TESTING LABORATORY



**첨부 1 : 기본모델·파생모델의 내용**  
General description of Certified Products

파생모델명 Derivative model	기본모델과의 차이점 Differences between the basic and derivative model(s)
Not Applicable	
제품특기사항 및 시험조건 Remarks & Test conditions	
<p>1. Test Report Number : 00-920-0213 (2000.09.15)</p> <p>2. Product Description</p> <ul style="list-style-type: none"> <li>- This power plug "YP-21K (2.5A 250V~)" is combined with VCTFK 2C x 0.75 mm<sup>2</sup> power cord.</li> <li>- Head figure of power plug is illustrated in the "sheet 5 a) 2.5 A 250V 2pole plug, flat head type" of KS C 8305.</li> <li>- Power plug is moulded with power cord straightly &amp; has no earthing contact line .</li> </ul> <p><input type="checkbox"/> 본 제품의 시험내용에 관하여 문의하실 사항이 있으시면 아래 연락처로 문의하시기 바랍니다. 시험담당자 : 전기전자본부 신뢰성평가팀, 강호우 / (02)8601-415</p> <p><input type="checkbox"/> If you have any question on product testing, please contact the person below : Job holder : Electrotechnical Center Reliability Assessment Team, H.W.KANG/+82 2 8601-415</p>	

FP511-09-00

**첨부 2 : 전기용품안전인증서의 변경발급현황**  
Status of Compliance Certificate Revisions

변경발급 내용 Contents of Certificate Revisions	비고 Remarks
<p>1st. Rev) Critical component is added. And rating is changed. (05-1920-0340 : 2005.04.01)</p> <ul style="list-style-type: none"> <li>- Adding power cord : H03VVH2-F 2C X 0.75 mm<sup>2</sup> , H05VVH2-F 2C X 0.75 mm<sup>2</sup></li> <li>- Changing rated current : 3A → 2.5A</li> <li>- Deleting the derivation model : YP-24K</li> </ul>	

FP511-11-00



첨부 3 : 안전관리부품 목록  
List of Critical Components

부품명 (회로기호) Component(Part no.)	제조사(상표명) Manufacturer(Brand)	모델명(형식) Model(Type)	정격 또는 특성 Rating or Characteristics	인증마크 Tested by
Power cord	Yung Li	60227 IEC 52 (H03VVH2-F)	2C × 0.75 mm <sup>2</sup>	EK
		60227 IEC 53 (H05VVH2-F)	2C × 0.75 mm <sup>2</sup>	

유의사항 (Attention) :

1. 안전관리부품은 전기적인 안전에 직접적인 영향을 주는 부품으로서 안전인증기관이 정기공장검사이시 확인 관리 하는 사항입니다. 따라서 상기목록에 기재된 사항을 변경하거나 또는 복수등재를 원하시는 경우는 안전인증기관에 인증변경신청을 하여야 합니다.

*As the "Critical components" are parts in directly related with safety, these components shall be checked during a factory inspection by the certification body. In case of applying multiple listing or changing the items above, the certification revision shall be applied.*

2. 인증변경신청 없이 임의로 변경하는 경우는, 전기용품안전관리법 제 9 조제 1 항의 규정에 의한 안전인증 취소 사유가 됨을 유의하시기 바랍니다.

*The Safety Certification will be cancelled under the Safety Control Law for Electrical Appliances, Paragraph 1 of Article 9 if the contents of the Certification is altered without our authorization*

## ZEICHENGENEHMIGUNG MARKS APPROVAL

Yung-Li Co. Ltd.  
Da Pu Industrial Zone, Cang Zi  
Chang Ping Town  
523571 DONG GUAN CITY  
Guangdong  
CHINA

ist berechtigt, für ihr Produkt /  
*is authorized to use for their product*

**Gerätesteckdose, nicht-wiederanschließbar**  
**Connector, non-rewirable**

die hier abgebildeten markenrechtlich geschützten Zeichen  
für die ab Blatt 2 aufgeführten Typen zu benutzen /  
*the legally protected Marks as shown below for the types referred to on page 2 ff.*



Geprüft und zertifiziert nach /  
*Tested and certified according to*

DIN EN 60320-1 (VDE 0625-1):2016-04; EN 60320-1:2015+AC:2016  
DIN EN 60320-3 (VDE 0625-3):2015-11; EN 60320-3:2014  
IEC 60320-1:2015  
IEC 60320-3:2014



Aktenzeichen: 1609800-1550-0005 / 232749

File ref.:

Ausweis-Nr. 40029072

Blatt 1

Certificate No.

Page

Weitere Bedingungen siehe Rückseite und Folgeblätter /  
*further conditions see overleaf and following pages*

Offenbach, 2010-01-08

(letzte Änderung/updated 2017-10-19 )

VDE Prüf- und Zertifizierungsinstitut GmbH  
VDE Testing and Certification Institute  
Zertifizierungsstelle / Certification

R. Nickel

VDE Zertifikate sind nur gültig bei Veröffentlichung unter:  
VDE certificates are valid only when published on:

<http://www.vde.com/zertifikat>  
<http://www.vde.com/certificate>

Name und Sitz des Genehmigungs-Inhabers / *Name and registered seat of the Certificate holder*

Yung-Li Co. Ltd., Da Pu Industrial Zone, Cang Zi, Chang Ping Town, 523571 DONG GUAN CITY, Guangdong, CHINA

Aktenzeichen / *File ref.*

1609800-1550-0005 / 232749 / CC1 / E

letzte Änderung / *updated*

2017-10-19

Datum / *Date*

2010-01-08

Dieses Blatt gilt nur in Verbindung mit Blatt 1 des Zeichengenehmigungsausweises Nr. 40029072.

*This supplement is only valid in conjunction with page 1 of the Certificate No. 40029072.*

## Gerätesteckdose, nicht-wiederanschließbar *Connector, non-rewirable*

Typ(en) / *Type(s)*

- 1) YC-13
- 2) YC-13L
- 3) YC-13D

Bemessungsspannung  
*Rated voltage*

AC 250 V

Bemessungsstrom  
*Rated current*

2,5 A

Polzahl  
*Number of poles*

2-polig ohne Schutzkontakt  
*2-pole without earthing contact*

Bauart  
*Kind of construction*

Normblatt C7  
*standard sheet C7*

Ausführung(en)  
*Construction(s)*

zentrale Leitungseinführung  
*straight cable entry*  
Für / *for* 1)

abgewinkelte Leitungseinführung  
*angled cable entry*  
Für / *for* 2), 3)

Warenzeicheninhaber  
*Trademark holder*

Yung-Li Co. Ltd.

Anmerkung(en)

Gerätesteckdosen ohne Schutzkontakt müssen Teil einer Geräteanschlußleitung oder einer Weiterverbindungs-Geräteanschlußleitung sein

*Remark(s)*

*Connectors without earthing contact shall be part of a cord set or interconnection cord set*

Produktinformation  
*Product information*

siehe Anlage Nr. 300 + 700 + 900 vom 2017-10-19  
*see Appendix No. 300 + 700 + 900 dated 2017-10-19*

Fortsetzung siehe Blatt 3 /  
*continued on page 3*

# VDE Prüf- und Zertifizierungsinstitut Zeichengenehmigung

Ausweis-Nr. / Blatt /  
Certificate No. / Page  
40029072 3

Name und Sitz des Genehmigungs-Inhabers / *Name and registered seat of the Certificate holder*

Yung-Li Co. Ltd., Da Pu Industrial Zone, Cang Zi, Chang Ping Town, 523571 DONG GUAN CITY, Guangdong, CHINA

Aktenzeichen / *File ref.*

1609800-1550-0005 / 232749 / CC1 / E

letzte Änderung / *updated*

2017-10-19

Datum / *Date*

2010-01-08

Dieses Blatt gilt nur in Verbindung mit Blatt 1 des Zeichengenehmigungsausweises Nr. 40029072.

*This supplement is only valid in conjunction with page 1 of the Certificate No. 40029072.*

Dieser Zeichengenehmigungs-Ausweis bildet eine Grundlage für die EG-Konformitätserklärung und CE-Kennzeichnung durch den Hersteller oder dessen Bevollmächtigten und bescheinigt die Konformität mit den grundlegenden Schutzanforderungen der **EG-Niederspannungsrichtlinie 2014/35/EU**.

*This Marks Approval is a basis for the EC Declaration of Conformity and the CE Marking by the manufacturer or his agent and proves the conformity with the essential safety requirements of the **EC Low-Voltage Directive 2014/35/EU**.*

VDE Prüf- und Zertifizierungsinstitut GmbH

*VDE Testing and Certification Institute*

Fachgebiet CC1

*Section CC1*

# VDE Prüf- und Zertifizierungsinstitut Zeichengenehmigung

Ausweis-Nr. / Beiblatt /  
Certificate No. Supplement  
40029072

Name und Sitz des Genehmigungs-Inhabers / *Name and registered seat of the Certificate holder*

Yung-Li Co. Ltd., Da Pu Industrial Zone, Cang Zi, Chang Ping Town, 523571 DONG GUAN CITY, Guangdong, CHINA

Aktenzeichen / *File ref.*

1609800-1550-0005 / 232749 / CC1 / E

letzte Änderung / *updated*

2017-10-19

Datum / *Date*

2010-01-08

Dieses Beiblatt ist Bestandteil des Zeichengenehmigungsausweises Nr. 40029072.

*This supplement is part of the Certificate No. 40029072.*

## Gerätesteckdose, nicht-wiederanschließbar *Connector, non-rewirable*

### Fertigungsstätte(n)

### *Place(s) of manufacture*

Referenz/*Reference*  
**30008928**

Yung-Li Co. Ltd.  
Da Pu Industrial Zone, Cang Zi  
Chang Ping Town  
523571 DONG GUAN CITY  
Guangdong  
CHINA

VDE Prüf- und Zertifizierungsinstitut GmbH  
*VDE Testing and Certification Institute*  
Fachgebiet CC1  
*Section CC1*



# VDE Prüf- und Zertifizierungsinstitut Zeichengenehmigung

Name und Sitz des Genehmigungs-Inhabers / Name and registered seat of the Certificate holder

Yung-Li Co. Ltd., Da Pu Industrial Zone, Cang Zi Chang Ping Town, 523571 DONG GUAN CITY, CN China

Dieses Blatt gilt nur in Verbindung mit Blatt 1 des Zeichengenehmigungsausweises Nr. 40029072.

This supplement is only valid in conjunction with page 1 of the Certificate No. 40029072

Rubrik / Rubric

341

Aktenzeichen / File ref.

1609800-1550-0005/232749/CC1/E

Ausweis-Nr. /  
Certificate No.

40029072

letzte Änderung / updated

2017-10-19

Anlage /  
Appendix

700

Datum / Date

2010-01-08

**Gerätesteckdose, nicht-wiederanschließbar**  
**Connector, non-rewirable**

**2-polig ohne Schutzkontakt**  
**2-pole without earthing contact**

**Fertigungsstätte**  
**Place of manufacture:**

3008928

Kennzeichnung  
Identification

---

		X $\Delta$ genehmigte Ausführung / approved version											--- $\Delta$ nicht genehmigt / not approved								
Typ(en) Type(s)	Leitungsaufdruck Marking on cable	H03VVH2-F 2x 0,5 mm <sup>2</sup> (max. 2 m)	H03VVH2-F 2x 0,75 mm <sup>2</sup>	H05VVH2-F 2x 0,75 mm <sup>2</sup>	H05VVH2-F 2x 1,0 mm <sup>2</sup>	H03VV-F 2x 0,5 mm <sup>2</sup> (max. 2 m)	H03VV-F 2x 0,75 mm <sup>2</sup>	H05VV-F 2x 0,75 mm <sup>2</sup>	H05VV-F 2x 1,0 mm <sup>2</sup>	H05RR-F 2x 0,75 mm <sup>2</sup>	H05RN-F 2x 0,75 mm <sup>2</sup>	H03V2V2H2-F 2x 0,75 mm <sup>2</sup>	H05V2V2H2-F 2x 0,75 mm <sup>2</sup>	H03V2V2-F 2x 0,75 mm <sup>2</sup>	H05V2V2-F 2x 0,75 mm <sup>2</sup>						
YC-13	Yung Li Co., Ltd.	--	X	X	--	--	X	X	--	--	--	X	X	X	X	--	--	--	--	--	--
YC-13D	Yung Li Co., Ltd.	--	X	X	--	--	X	X	--	--	--	X	X	X	X	--	--	--	--	--	--
YC-13L	Yung Li Co., Ltd.	--	X	X	--	--	X	X	--	--	--	X	X	X	X	--	--	--	--	--	--



Certificate Number: 23599

# CERTIFICATE OF APPROVAL

ISSUED PURSUANT TO THE ELECTRICITY (CONSUMER SAFETY) ACT 2004

ISSUED TO:

Yung Li Co Ltd

CLASS OF ARTICLE:

Appliance Connector

DESCRIPTION OF ARTICLE:

Appliance Connector  
(Non-rewirable, thermoplastic moulded, straight-entry C7 appliance connector for cold conditions for Class II equipment integrally moulded to any <HAR> certified H03VVH2-F 2X0.75mm<sup>2</sup> or Australian approved, two-core, 0.75mm<sup>2</sup>, PVC insulated and sheathed light duty flat flexible cord)  
Trade Name: 'Yung Li'  
250V, ac 2.5A

EXAMINED FOR COMPLIANCE WITH: AS/NZS 60320.1 : 2004

TYPE REFERENCE CODE: Type YC-13

APPROVAL MARK:

Each electrical article of the abovementioned type shall be marked with Approval Number NSW23599 or N15371 ;or  
the Regulatory Compliance Mark (RCM) provided that the requirements of all relevant parts of AS/NZS 4417 applicable to the article are fulfilled.

DATE OF APPROVAL: 30 July 2008

This approval expires 30 July 2013 unless suspended, cancelled, renewed or extended.



for Commissioner for Fair Trading

ADDENDUM TO CERTIFICATE OF APPROVAL 23599

Particulars of Modification(s)

1. Type No. YC-13 alternatively moulded to any of the following <HAR> certified or equivalent Australian approved flexible cords:-
  - (a) H05VVH2-F 2X0.75mm<sup>2</sup>,
  - (b) H03VV-F 2X0.75mm<sup>2</sup>,
  - (c) H05VV-F 2X0.75mm<sup>2</sup>,
  
2. Type No. YC-13L being similar to Type No. YC-13 except having a side cord entry on the vertical plane in lieu of a rear cord entry and integrally moulded to any of the following <HAR> certified or equivalent Australian approved flexible cords:-
  - (a) H03VVH2-F 2X0.75mm<sup>2</sup>,
  - (b) H05VVH2-F 2X0.75mm<sup>2</sup>,
  - (c) H03VV-F 2X0.75mm<sup>2</sup>,
  - (d) H05VV-F 2X0.75mm<sup>2</sup>,
  
3. Type No. YC-13D being similar to Type No. YC-13 except having a side cord entry on the horizontal plane in lieu of a rear cord entry and integrally moulded to any of the following <HAR> certified or equivalent Australian approved flexible cords:-
  - (a) H03VVH2-F 2X0.75mm<sup>2</sup>,
  - (b) H05VVH2-F 2X0.75mm<sup>2</sup>,
  - (c) H03VV-F 2X0.75mm<sup>2</sup>,
  - (d) H05VV-F 2X0.75mm<sup>2</sup>,

Approved: 30 July 2008



for Commissioner for Fair Trading





Fair  
Trading

Ref: NSW23599/2

## RENEWAL OF CERTIFICATE OF APPROVAL: NSW23599

### Particulars of Renewal

The approval of (C7) Appliance Connector Type No. YC-13 and all approved modifications has been renewed for a period of FIVE years.

The Approval expires on 30/07/2018 unless it is renewed, extended, suspended or cancelled.

 12/6/2013

For Commissioner for Fair Trading



Fair  
Trading

Ref: NSW23599/3

## RENEWAL OF CERTIFICATE OF APPROVAL: NSW23599

### Particulars of Renewal

The approval of (C7) Appliance Connector Type No. YC-13 and all approved modifications has been renewed for a period of FIVE years.

The Approval expires on 30/07/2023 unless it is renewed, extended, suspended or cancelled.

For Commissioner for Fair Trading

# CERTIFICATE

OF SAFETY FOR ELECTRICAL APPLIANCES

Certification Number : SU01027-4002

Ref. No. : 04-1920-4372

Manufacturer's Name : Yung Li Co., Ltd.

& Address : Da Pu Industrial Zone, Chang Ping Town, Dongguan City,  
GuangDong Province, China 523571

Factory Address : Same as Manufacturer's

Certified Product

1. Product : 코드류 (Polyvinyl chloride insulated cord)
2. Basic Model : 60227 IEC 53 (H05VV-F) 2Cx0.75mm<sup>2</sup>
3. Rating : 300/500V
4. Derivative Model : See the Attachment1

Applied Standard: K60227-5

Attached Supplement : 1. General Description of Certified Products

*This is to certify that the product shown above is complied with the safety standards under the Electrical Appliance Safety Control Law, paragraph 2 of Article 5 and is manufactured by a scheme that follows continuous obligations of safety. The product listed above is eligible to bear the Korean Safety Mark.*

Date of Issue: December 27, 2004



CERTIFICATION BODY

**KOREA TESTING LABORATORY**

-----  
Jong-Myung Lee / Certification Director

**별첨 1: 파생모델구분 및 특기사항**  
 General description of Certified Products

파생모델명 Derivative model	기본모델과의 차이점 Differences between the basic and derivative model(s)
60227 IEC 53 (H05VV-F), 2Cx1.0~2.5 mm <sup>2</sup>	Nominal sectional area
60227 IEC 53 (H05VV-F), 3Cx0.75~2.5 mm <sup>2</sup>	Nominal sectional area & number of conductors
60227 IEC 53 (H05VVH2-F), 2x0.75 mm <sup>2</sup>	Flat type
제품특기사항 및 시험조건 Remarks & Test conditions	
<p>1. Test Report No. : 04-1920-4372 (2004.12.23)</p> <p>2. Product Description</p> <ul style="list-style-type: none"> <li>- "60227 IEC 53 (H05VV-F) 2Cx0.75 mm<sup>2</sup>" is                      rated nominal sectional area is 0.75 mm<sup>2</sup>, constructed with 2 wires without ground wire,                      external figure is the flat type, sheathed with polyvinyl chloride</li> <li>- Permitted maximum using voltage between live and earth line &amp; between live lines                      is AC300V/500V.</li> <li>- "60227 IEC 53 (H05VV-F) cord" means "sheathed flexible power cable insulated with polyvinyl                      chloride" &amp; the external sheath figure is round circle.</li> </ul>	
<p><input type="checkbox"/> 본 제품의 시험내용에 관하여 문의하실 사항이 있으시면 아래 연락처로 문의하시기 바랍니다.                      시험담당자 : 전기전자본부 신뢰성평가팀, 강호우 / (02)8601-415</p> <p><input type="checkbox"/> If you have any question on product testing, please contact the person below :                      Job holder : Electrotechnical Center Reliability Assessment Team, H.W.KANG/+82 2 8601-415</p>	

FP511-09-00