

# 東莞永力電業有限公司

YUNG LI CO., LTD

Da Pu Industrial Zone, Gang Zi, Changping Town,  
Dong Guan City, Guangdong 523571 China.P.R.C

TEL:0769-83396797~8

FAX:0769-83396796

E-mail: sales@yung-li.com

Description: YP-CD/YC-12

Customer: \_SY

Parts No. : UI?`?ge?C\_

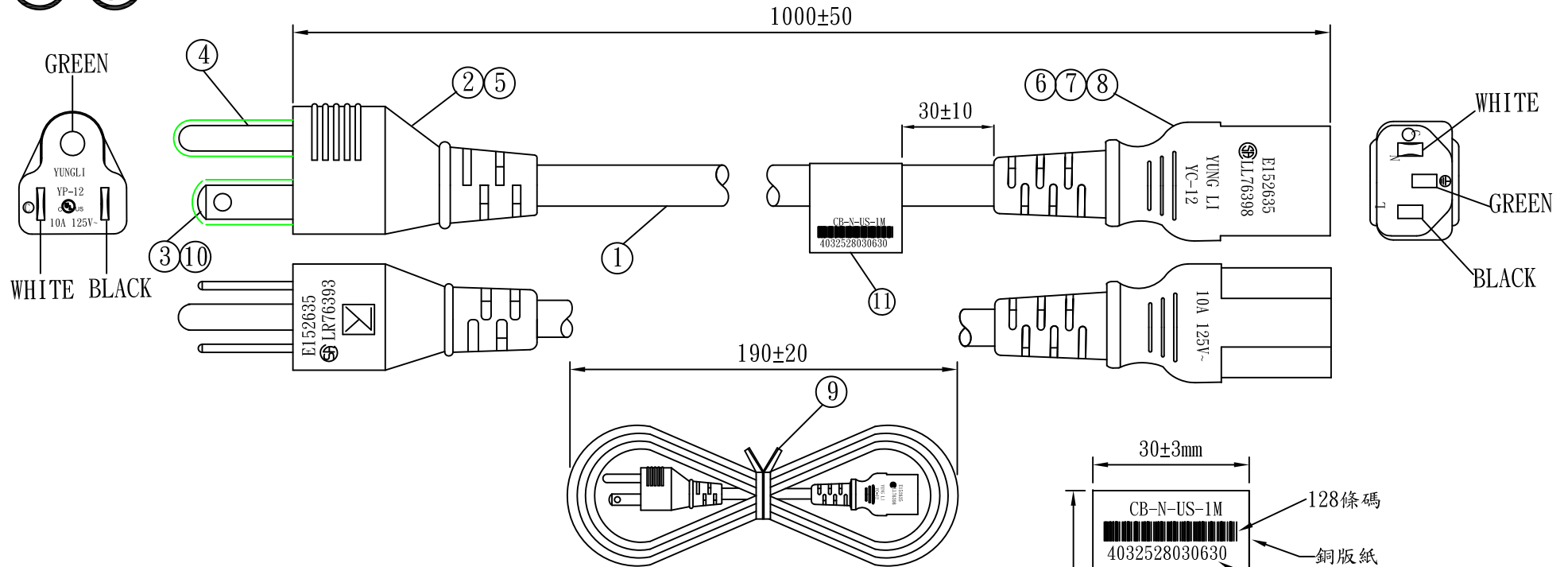
Draw No. :

## REVISION RECORD

|   |  |  |
|---|--|--|
| 1 |  |  |
| 2 |  |  |
| 3 |  |  |
| 4 |  |  |
| 5 |  |  |

| YUNG LI |             |
|---------|-------------|
| CHECKED | PREPARED BY |
|         |             |

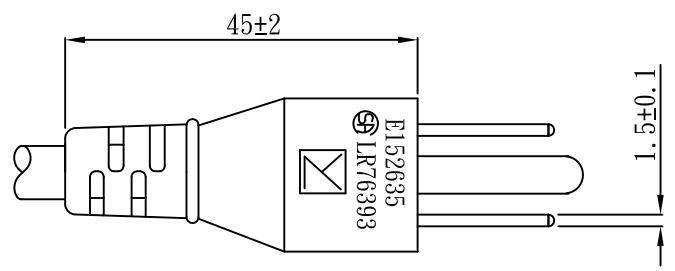
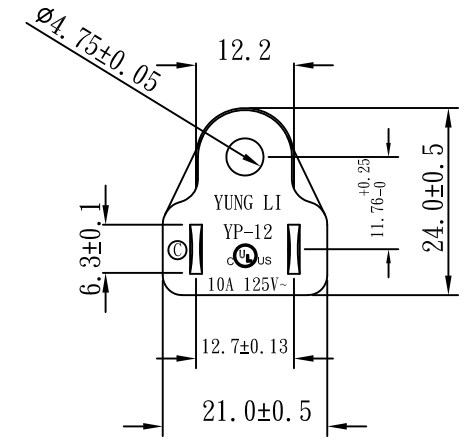
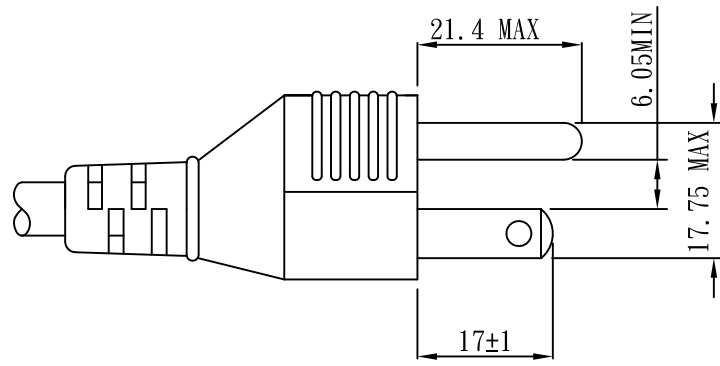
| CUSTOMER | APPROVED |
|----------|----------|
|          |          |



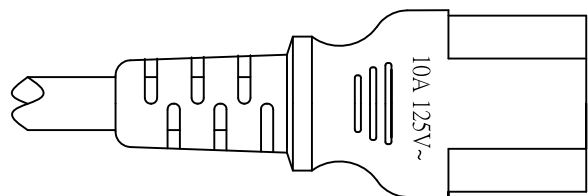
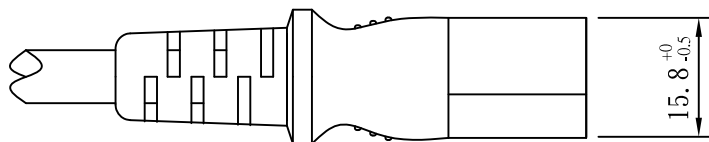
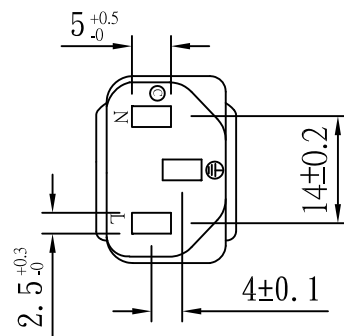
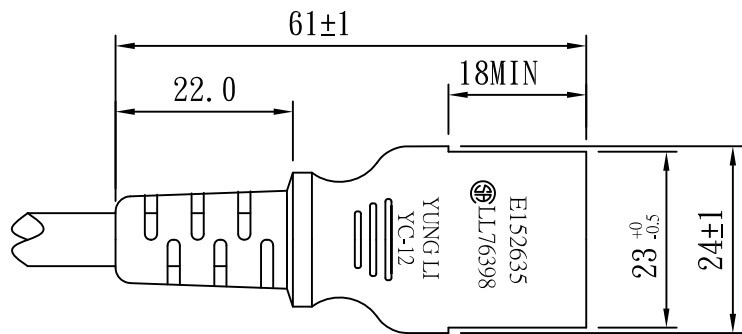
| NO. | SPECIFICATION               | QTY    | REMARK |
|-----|-----------------------------|--------|--------|
| 1   | SVT 18/3C 105°C BLACK       | 1PC    |        |
| 2   | YP-12 PVC PLASTIC 35P BLACK | 19g/PC |        |
| 3   | TERMINAL:98675BS-1          | 2PCS   |        |
| 4   | Ø4.75 TERMINAL:98475        | 1PC    |        |
| 5   | YP-12 INNER BODY            | 1PC    |        |
| 6   | YC-12 PVC PLASTIC 50P BLACK | 18g/PC |        |
| 7   | U-TYPE TERMINAL:97740       | 3PCS   |        |
| 8   | YC-12 INNER BODY            | 1PC    |        |
| 9   | MINI TIE:L=130mm BLACK      | 1PC    |        |
| 10  | SLEEVE WHITE                | 1PC    |        |
| 11  | LABEL:30*50mm 128 CORD      | 1PC    |        |

|   |             |             |      |          |                        |            |       |      |
|---|-------------|-------------|------|----------|------------------------|------------|-------|------|
| Tolerance<br>>0±0.30<br>>1.0±0.50<br>>10.0±1.0<br>>20.0±2.0<br>Angle: ±1° | Approved    |             | Date |          | <b>YUNG LI CO.,LTD</b> |            |       |      |
|   | Checked     |             | Date |          |                        |            |       |      |
|   | Drawn       | SUKI        | Date | 19.01.17 | Customer               | MAG        |       |      |
|   | Cat. No.    | YP-12/YC-12 |      |          | P/N.                   | CB-N-US-1M |       |      |
|   | Drawing No. | CY-U7580    |      | Rev.     | B                      | Material   | P.V.C | Unit |
|   |             |             |      |          | Scale                  |            |       |      |

Sample Drawing No.:  
SP181219-05



|  |             |         |      |   |                  |         |      |    |
|--|-------------|---------|------|---|------------------|---------|------|----|
| TOLERANCE<br>>0±0.30<br>>1.0±0.50<br>>10.0±1.0<br>>20.0±2.0<br>Angle:<br>±1° | APPROVED    |         | DATE |   | YUNG LI CO., LTD |         |      |    |
|  | CHECKED     |         | DATE |   |                  |         |      |    |
|  | DRAWN       |         | DATE |   | CUSTOMER         |         |      |    |
|  | TYPE        | YP-12   |      |   | P/N              |         |      |    |
|  | DRAWING NO. | CY-P12U | REV  | B | MATERIAL         | P. V. C | UNIT | mm |
|  |             |         |      |   | SCALE            | 1:1     |      |    |



|  |             |       |      |          |                  |         |      |    |
|--|-------------|-------|------|----------|------------------|---------|------|----|
| TOLERANCE<br>>0±0.30<br>>1.0±0.50<br>>10.0±1.0<br>>20.0±2.0<br>Angle:<br>±1° | APPROVED    |       | DATE |          | YUNG LI CO., LTD |         |      |    |
|  | CHECKED     |       | DATE |          |                  |         |      |    |
|  | DRAWN       | melon | DATE | 18.06.01 | CUSTOMER         |         |      |    |
|  | TYPE        | YC-12 |      |          | P/N              |         |      |    |
|  | DRAWING NO. |       | REV  | B        | MATERIAL         | P. V. C | UNIT | mm |
|  |             |       |      | SCALE    | 1:1              |         |      |    |

# YUNG LI CO., LTD

## SPECIFICATION

|           |       |                         |             |
|-----------|-------|-------------------------|-------------|
| Yung-Li   | Style | PVC FLEXIBLE CORDS      | Document No |
| 2007.5.03 |       |                         |             |
| Edition   | Size  | <b>SVT 18/ 3C 105°C</b> | Page        |
| A         |       |                         | 1/2         |

1. Standard : UL 62 UL 1581

### 2. Construction & Dimension

|               | Item                           | Specification         |
|---------------|--------------------------------|-----------------------|
| Conductor     | Size                           | 18AWG x 3C            |
|               | Material                       | Annealed Bare Copper  |
|               | Construction                   | 41/ $\phi$ 0.16±0.002 |
| Insulation    | Material                       | P.V.C.                |
|               | Minimum Average Thickness      | 0.38mm                |
|               | Minimum Thickness at any point | 0.33mm                |
|               | Diameter                       | 2.1 ± 0.1             |
|               | Identification                 | Black, Green, White   |
| Core Assembly | Core Twist                     | 3-Core                |
|               | Filler                         | Cotton 6000D          |
|               | Assembly Pair                  | NA                    |
| Taping        | Mylar Foil                     | NA                    |
| Shielded      | A1-Mylar Foil                  | NA                    |
| Drain Wire    | Material                       | NA                    |
|               | Construction                   | NA                    |
| Jacket        | Material                       | PVC                   |
|               | Minimum Average Thickness      | 0.76mm                |
|               | Minimum Thickness at any point | 0.61mm                |
|               | Overall Diameter(Approx)       | 6.3 ± 0.15            |
|               | Color                          | Any Color             |

### Marking :

YUNG LI (UL) E241374 SVT 3/C 18AWG(0.824mm<sup>2</sup>) 105°C 300V VW-1  
 CSA 177323 SVT 3/C 18AWG(0.824mm<sup>2</sup>) 105°C 300V FT2

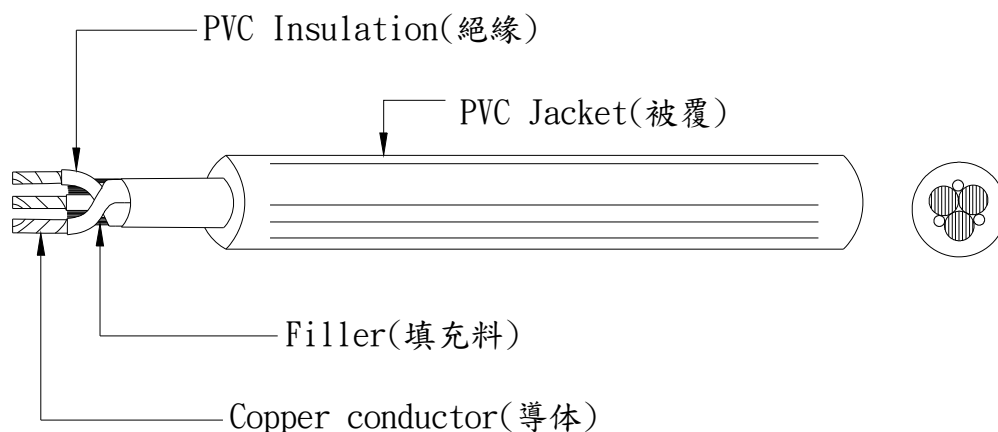
# YUNG LI CO., LTD

## SPECIFICATION

|           |       |                         |             |
|-----------|-------|-------------------------|-------------|
| Yung-Li   | Style | PVC FLEXIBLE CORDS      | Document No |
| 2007.5.03 |       |                         |             |
| Edition   | Size  | <b>SVT 18/ 3C 105°C</b> | Page        |
| A         |       |                         | 2/2         |

| 3. Electrical & Physical Properties |        |  |                            |
|-------------------------------------|--------|--|----------------------------|
| Item                                |        | Specification                                  |                            |
| Rating Voltage                      |        | 300V   |                            |
| Insulation Resistance               |        | $\geq 0.76\text{M}\Omega/\text{Km}$ 15.0°C Min |                            |
| Dielectric Strength                 |        | AC 1.5KV/1 min No Crack                        |                            |
| Resistance of cond.                 |        | 21.8 $\Omega$ .Km (20°C)                       |                            |
| Spark Test                          |        | 3.0KV/0.15 Sec                                 |                            |
| Insulation                          | Unaged | Tensile Strength                               | 1500 lbs/in2 min           |
|                                     |        | Elongation                                     | 100% Min                   |
|                                     | Aged   | Tensile Strength                               | Min 85% (136±1°C x 168hrs) |
|                                     |        | Elongation                                     | Min 65% (136±1°C x 168hrs) |
| Jacket                              | Unaged | Tensile Strength                               | 1500 lbs/in2 min           |
|                                     |        | Elongation                                     | 100% Min                   |
|                                     | Aged   | Tensile Strength                               | Min 85% (136±1°C x 168hrs) |
|                                     |        | Elongation                                     | Min 45% (136±1°C x 168hrs) |
| Deformation Test                    |        | 121°C±1°C m X 1hr $\leq 50\%$                  |                            |
| Cold Bend Test                      |        | -20°C x 4hr No Crack                           |                            |
| Heat Shock Test                     |        | 121°C±1°C x 1hr No Crack                       |                            |
| Flame Test                          |        | VW-1   |                            |

### Graph:



# ELBZ7.E152635 - CORD SETS AND POWER-SUPPLY CORDS CERTIFIED FOR CANADA

## Cord Sets and Power-supply Cords Certified for Canada

See General Information for Cord Sets and Power-supply Cords Certified for Canada

### YUNG LI CO LTD

7F-12 NO 99 SEC 1 XINTAI 5TH RD  
XIZHI DISTRICT  
NEW TAIPEI, 22175 TAIWAN

### Power-supply cords

E152635

| Cat. No. | ANSI/NEMA Cord<br>WD6 Config | AWG  | Cord<br>Type   | Electrical<br>Rating<br>Amps V |
|----------|------------------------------|------|--|--------------------------------|
| YP-11    | 1-15                         | 18/2 | SPT-1, SPT-2, SPT-3, NISPT-2, SVT, SVTO, SJT, SJTW, SJTO, SJTOW (All TPE material), SPT-1, SPT-1W, NISPT-1, SPT-2, SPT-2W, NISPT-2, SPT-3, HPN, SVT, SVTO, SJT, SJTW, SJTO, SJTOW, SV, SVO, SJ, SJO, SJOW, SJOOW, EVT, EVJT, EVE, EVJE   | 7 or 10/125                    |
|          |                              | 17/2 | SVT, SVTO (All TPE material), SVT, SVTO, SV, SVO, SJ, SJO, SJOW, SJOOW, EVT, EVJT, EVE, EVJE   | 12/125                         |
|          |                              | 16/2 | SPT-2, SPT-3, NISPT-2, SVT, SVTO, SJT, SJTW, SJTO, SJTOW (All TPE material), SPT-2, SPT-2W, NISPT-2, SPT-3, SVT, SVTO, SJT, SJTW, SJTO, SJTOW, SV, SVO, SJ, SJO, SJOW, SJOOW, EVT, EVJT, EVE, EVJE                                       | 13/125                         |
|          |                              | 16/2 | HPN  | 15/125                         |
|          |                              | 14/2 | SPT-3, SJT, SJTW, SJTO, SJTOW (All TPE material), SPT-3, SJT, SJTW, SJTO, SJTOW, SJ, SJO, SJOW, SJOOW, EVT, EVJT, EVE, EVJE  | 15/125                         |
| YP-11W   | 1-15P                        | 18/2 | SPT-1, SPT-2, SPT-3, NISPT-2, SVT, SVTO, SJT, SJTW, SJTO, SJTOW (All TPE material), SPT-1, SPT-1W, NISPT-1, SPT-2, SPT-2W, NISPT-2, SPT-3, HPN, SVT, SVTO, SJT, SJTW, , SJTO, SJTOW, SV, SVO, SJ, SJO, SJOW, SJOOW, EVT, EVJT, EVE, EVJE | 7 or 10/125                    |
|          |                              | 17/2 | SVT, SVTO (All TPE material), SVT, SVTO, SV, SVO, SJ, SJO, SJOW, SJOOW, EVT, EVJT, EVE, EVJE   | 12/125                         |
|          |                              | 16/2 | SPT-2, SPT-3, NISPT-2, SVT, SVTO, SJT, SJTW, SJTO, SJTOW (All TPE material), SPT-2, SPT-2W, NISPT-2, SPT-3, SVT, SVTO, SJT, SJTW, SJTO, SJTOW, SV, SVO, SJ, SJO, SJOW, SJOOW, EVT, EVJT, EVE, EVJE                                       | 13/125                         |
|          |                              | 16/2 | HPN  | 15/125                         |
|          |                              | 14/2 | SPT-3, SJT, SJTW, SJTO, SJTOW (All TPE material), SPT-3, SJT, SJTW, SJTO, SJTOW, SJ, SJO, SJOW, SJOOW, EVT, EVJT, EVE, EVJE  | 15/125                         |

|        |      |      |  |             |
|--------|------|------|--|-------------|
| YP-11C | 1-15 | 18/2 | NISPT-2 (TPE), NISPT-1, NISPT-2, EVT, EVJT, EVE, EVJE  | 7 or 10/125 |
| YP-12  | 5-15 | 18/3 | SVT, SJT, SJTW, SJTO, SJTOW, ST, STW, STOW (Shielded and Non-shielded for all types), SVTO, SPT-2, SPT-3 (All TPE material), SVT, SVT Shielded, SVTO, SJT, SJT Shielded, SJTW, SJTW Shielded, SJTO, SJTO Shielded, SJTOW, SJTOW Shielded, SJTOOW, ST, ST Shielded, STW, STW Shielded, STOW, STOW Shielded, SV, SVO, SJ, SJ Shielded, SJO, SJO Shielded, SJOO, SJOO Shielded, SJOW, SJOW Shielded, SJOOW, SJOOW Shielded, S, SO, SO Shielded, SOO, SOO Shielded, SOW, SOW Shielded, SOOW, SOOW Shielded, SPT-2, SPT-3, EVT, EVJT, EVE, EVJE | 7 or 10/125 |
|        |      | 17/3 | SVT, SVTO (All TPE material), SVT, SVTO, SV, SVO, EVT, EVJT, EVE, EVJE   | 12/125      |
|        |      | 16/3 | SVT, SJT, SJTW, SJTO, SJTOW, ST, STW, STOW (Shielded and Non-shielded for all types), SVTO, SPT-2, SPT-3 (All TPE material), SVT, SVT Shielded, SVTO, SJT, SJT Shielded, SJTW, SJTW Shielded, SJTO, SJTO Shielded, SJTOW, SJTOW Shielded, SJTOOW, ST, ST Shielded, STW, STW Shielded, STOW, STOW Shielded, SV, SVO, SJ, SJ Shielded, SJO, SJO Shielded, SJOO, SJOO Shielded, SJOW, SJOW Shielded, SJOOW, SJOOW Shielded, S, SO, SO Shielded, SOO, SOO Shielded, SOW, SOW Shielded, SOOW, SOOW Shielded, SPT-2, SPT-3, EVT, EVJT, EVE, EVJE | 13/125      |
|        |      | 14/3 | SJT, SJTW, SJTO, SJTOW, ST, STW, STOW (Shielded and Non-shielded for all types), SPT-3 (All TPE material), SJT, SJT Shielded, SJTW, SJTW Shielded, SJTO, SJTO Shielded, SJTOW, SJTOW Shielded, SJTOOW, ST, ST Shielded, STW, STW Shielded, STOW, STOW Shielded, SJ, SJ Shielded, SJO, SJO Shielded, SJOO, SJOO Shielded, SJOW, SJOW Shielded, SJOOW, SJOOW Shielded, S, SO, SO Shielded, SOO, SOO Shielded, SOW, SOW Shielded, SOOW, SOOW Shielded, SPT-3, EVT, EVJT, EVE, EVJE, SJT-B   | 15/125      |
|        |      | 12/3 | SJT, SJTW, SJTO, SJTOW, ST, STW, STOW (Shielded and Non-shielded for all types), SPT-3 (All TPE material), SJT, SJT Shielded, SJTW, SJTW Shielded, SJTO, SJTO Shielded, SJTOW, SJTOW Shielded, SJTOOW, ST, ST Shielded, STW, STW Shielded, STOW, STOW Shielded, SJ, SJ Shielded, SJO, SJO Shielded, SJOO, SJOO Shielded, SJOW, SJOW Shielded, SJOOW, SJOOW Shielded, S, SO, SO Shielded, SOO, SOO Shielded, SOW, SOW Shielded, SOOW, SOOW Shielded, SPT-3, EVT, EVJT, EVE, EVJE  | 15/125      |
| YP-12L | 5-15 | 18/3 | SVT, SVT shielded, SJT, SJTW, SJTO, SJTOW, ST, STW, STOW, SPT-2, SPT-3 (All TPE material), SVT, SVT shielded, SJT, SJTW, SJTO, SJTOW, ST, STW, STOW, SO, SOW, SOOW, SPT-2, SPT-3, EVT, EVJT, EVE, EVJE   | 7 or 10/125 |
|        |      | 16/3 | SVT, SJT, SJTW, SJTO, SJTOW, ST, STW, STOW, SPT-2, SPT-3 (All TPE material), SVT, SJT, SJTW, SJTO, SJTOW, ST, STW, STOW, SO, SOW, SOOW, SPT-2, SPT-3, EVT, EVJT, EVE, EVJE   | 13/125      |
|        |      | 14/3 | SJT, SJTW, SJTO, SJTOW, ST, STW, STOW, SPT-3 (All TPE material), SJT, SJTW, SJTO, SJTOW, ST, STW, STOW, SO, SOW, SOOW, SPT-3, EVT, EVJT, EVE, EVJE   | 15/125      |



|                  |       |      |  |            |
|------------------|-------|------|--|------------|
|                  |       | 12/3 | SJ, SJO, SJOW, SJOO, SJOOW, S, SO, SOW, SOO, SOOW, SJT, SJTW, SJTO, SJTOW, SJTOO, SJTOOW, ST, STW, STO, STOW, STOO, STOOW            | 25/277 Vac |
|                  |       | 10/3 | SJ, SJO, SJOW, SJOO, SJOOW, S, SO, SOW, SOO, SOOW, SJT, SJTW, SJTO, SJTOW, SJTOO, SJTOOW, ST, STW, STO, STOW, STOO, STOOW            | 30/277 Vac |
|                  |       | 8/3  | S, SO, SOW, SOO, SOOW, ST, STW, STO, STOW, STOO, STOOW   | 30/277 Vac |
| YP-12R, YP-12R-1 | 5-15P | 18/3 | SJ, SJO, SJOW, SJOO, SJOOW, S, SO, SOW, SOO, SOOW, SVT, SVTO, SJT, SJTW, SJTO, SJTOW, SJTOO, SJTOOW, ST, STW, STO, STOW, STOO, STOOW | 10/125     |
|                  |       | 16/3 | SJ, SJO, SJOW, SJOO, SJOOW, S, SO, SOW, SOO, SOOW, SJT, SJTW, SJTO, SJTOW, SJTOO, SJTOOW, ST, STW, STO, STOW, STOO, STOOW            | 13/125     |
|                  |       | 14/3 | SJ, SJO, SJOW, SJOO, SJOOW, S, SO, SOW, SOO, SOOW, SJT, SJTW, SJTO, SJTOW, SJTOO, SJTOOW, ST, STW, STO, STOW, STOO, STOOW            | 15/125     |
|                  |       | 12/3 | SJ, SJO, SJOW, SJOO, SJOOW, SJT, SJTW, SJTO, SJTOW, SJTOO, SJTOOW  | 15/125     |

### Special-use cord sets

| Cat. No.                                    | IEC 320 Cord Config | AWG | Cord Type  | Electrical Rating Amps V |
|---|---------------------|-----|--|--------------------------|
| YC-11                                       | IEC C17             | 18  | SPT-1, SPT-2, SPT-3, NISPT-2, SVT, SJT, SJTO, SJTOW, ST, STW, STOW (All TPE material), SPT-1, SPT-2, NISPT-1, NISPT-2, SPT-3, SVT, SJT, SJTO, SJTW, SJTOW, ST, STW, STOW, SO, SOW, SOOW  | 2.5, 7 or 10/125 or 250  |
|   |                     | 17  | SPT-3, SVT, SJT, SJTW, SJTO, SJTOW, ST, STW, STOW (All TPE material), SPT-3, SVT, SJT, SJTW, SJTO, SJTOW, ST, STW, STOW, SO, SOW, SOOW   | 10, 12/125 or 250        |
|   |                     | 16  | SPT-2, SPT-3, NISPT-2, SVT, SJT, SJTW, SJTO, SJTOW, ST, STW, STOW (All TPE material), SPT-2, NISPT-2, SPT-3, SVT, SJT, SJTW, SJTO, SJTOW, ST, STW, STOW, SO, SOW, SOOW   | 13/125 or 250            |
| YC-12, YC-12L, YC-12L-1, YC-12L-2, YC-12L-3 | IEC C13             | 18  | SVT, SJT, SJTW, SJTO, SJTOW, ST, STW, STOW (Shielded and Non-shielded for all types), SPT-2, SPT-3 (All TPE material), SVT, SJT, SJTW, SJTO, SJTOW, SJ, SJO, SJOO, SJOW, SJOOW, ST, STW, STOW, SO, SOO, SOW, SOOW (Shielded or Non-Shielded for above types), SPT-2, SPT-3 | 2.5, 7 or 10/125 or 250  |
|   |                     | 17  | SVT, SJT, SJTW, SJTO, SJTOW, ST, STW, STOW (Shielded and Non-shielded for all types), SPT-3 (All TPE material), SVT, SJT, SJTW, SJTO, SJTOW, ST, STW, STOW, SJ, SJO, SJOO, SJOW, SJOOW, SO, SOO, SOW, SOOW (Shielded or Non-shielded for above types), SPT-3               | 10, 12/125 or 250        |
|   |                     | 16  | SJT, SJTW, SJTO, SJTOW, ST, STW, STOW (Shielded and Non-shielded for all types), SPT-3 (All TPE material), SJT, SJTW, SJTO, SJTOW, ST, STW, STOW, SJ, SJO, SJOO, SJOW, SJOOW, SO, SOO, SOW, SOOW (Shielded or Non-shielded for above types), SPT-3                         | 13/125 or 250            |

|              |         |    |  |                               |
|--------------|---------|----|--|-------------------------------|
|              |         | 15 | SJT, SJTW, SJTO, SJTOW, ST, STW, STOW (Shielded and Non-shielded for all types), SPT-3 (All TPE material), SJT, SJTW, SJTO, SJTOW, ST, STW, STOW, SJ, SJO, SJOO, SJOW, SJOOW, SO, SOO, SOW, SOOW (Shielded or Non-shielded for above types), SPT-3 | 10,<br>14/125<br>or 250       |
|              |         | 14 | SJT, SJTW, SJTO, SJTOW, ST, STW, STOW (Shielded and Non-shielded for all types), SPT-3 (All TPE material), SJT, SJTW, SJTO, SJTOW, ST, STW, STOW, SJ, SJO, SJOO, SJOW, SJOOW, SO, SOO, SOW, SOOW (Shielded or Non-shielded for above types), SPT-3 | 15/125<br>or 250              |
|              |         | 12 | SJT, SJTW, SJTO, SJTOW, ST, STW, STOW (All TPE material, Shielded and Non-shielded for all types), SJT, SJTW, SJTO, SJTOW, ST, STW, STOW, SJ, SJO, SJOO, SJOW, SJOOW, SO, SOO, SOW, SOOW (Shielded or Non-shielded for all types)                  | 15/125<br>or 250              |
| YC-12(A.C.1) | IEC C13 | 12 | SJT, SJTW, SJTO, SJTOW, ST, STW, STOW, SPT-3 (All TPE material), SJT, SJTW, SJTO, SJTOW, ST, STW, STOW, SO, SOW, SOOW, SPT-3   | 15/125<br>or 250              |
|              |         | 10 | SJT, SJTW, SJTO, SJTOW, ST, STW, STOW (All TPE material), SJT, SJTW, SJTO, SJTOW, ST, STW, STOW, SO, SOW, SOOW   | 15/125<br>or 250              |
| YC-12C       | IEC C13 | 18 | NISPT-2 (TPE), NISPT-2   | 2.5, 7 or<br>10/125<br>or 250 |
|              |         | 16 | NISPT-2 (TPE), NISPT-2   | 13/125<br>or 250              |
| YC-13        | IEC C7  | 18 | SPT-1, SPT-2, NISPT-2, SVT, SJT (All TPE material), SPT-1, SPT-1W, SPT-2, SPT-2W, NISPT-1, NISPT-2, SVT, SJT   | 2.5/250<br>or<br>7/125        |
| YC-13W       | IEC C7P | 18 | SPT-1, SPT-2, NISPT-2, SVT, SJT (All TPE material), SPT-1, SPT-1W, SPT-2, SPT-2W, NISPT-1, NISPT-2, SVT, SJT   | 2.5/250<br>or<br>7/125        |
| YC-14        | IEC C5  | 18 | SPT-2, SVT, SVT shielded, SVTO, SJT, SJT shielded, SJTW, SJTW shielded, SJTO, SJTOW (All TPE material), SVT, SVT Shielded, SVTO, SJT, SJT Shielded, SJTW, SJTW Shielded, SJTO, SJTOW, SV, SVO, SJ, SJO, SJOW, SJOOW                                | 2.5/250<br>or<br>7/125        |
|              |         |    | SPT-2  |                               |
| YC-13L       | IEC C7  | 18 | SPT-1, SPT-2, NISPT-2, SVT, SJT (All TPE material), SPT-1, SPT-1W, SPT-2, SPT-2W, NISPT-1, NISPT-2, SVT, SJT   | 2.5/250<br>or<br>7/125        |
| YC-13D       | IEC C7  | 18 | SPT-1, SPT-2, NISPT-2, SVT, SJT (All TPE material), SPT-1, SPT-1W, SPT-2, SPT-2W, NISPT-1, NISPT-2, SJT, SVT   | 2.5/250<br>or<br>7/125        |
| YC-13C       | IEC C7  | 18 | NISPT-2 (All TPE material), NISPT-1, NISPT-2   | 2.5/250<br>or<br>7/125        |
| YC-13E       | IEC C7  | 18 | SPT-1, SPT-2, NISPT-2, SVT, SJT (All TPE material), SPT-1, SPT-1W, SPT-2, SPT-2W, NISPT-1, NISPT-2, SVT, SJT   | 2.5/250<br>or<br>7/125        |



# Certificate of Compliance

**Certificate:** 1155953

**Master Contract:** 177323 (LL 76398)

**Project:** 2767514

**Date Issued:** October 17, 2014

**Issued to:** Yung Li Co., Ltd.  
1F, No 10, Lane 235, Pao Chiao Rd.,  
Hsien Tien City, Taipei Hsien  
TAIWAN  
**Attention:** Mr. David W.D. Lai

*The products listed below are eligible to bear the CSA Mark shown*



**Issued by:**   
Jupiter Huang

## PRODUCTS

CLASS – 5841 03 - CORD SETS - Special-Use Cord Sets

Special use cord set consisting of the following connector body moulded on either of the submittor's Certified power supply cords as indicated:

| Female Cat No    | Config./Type | Male Cat No      | Config.    | Max Rating of Cord Set | Cord AWG | Cord Type                 |
|------------------|--------------|------------------|------------|------------------------|----------|---------------------------|
| YC-12, or YC-12L | (SP23, C13)  | YP-12, or YP-12L | 5-15P      | 10A, 125V              | 18/3     | SJT, SVT, SVT(S&U), SPT-2 |
|                  |              |                  |            | 13A, 125V              | 16/3     | SJT                       |
|                  |              |                  |            | 15A, 125V              | 14/3     | SJT                       |
| YC-12, or YC-12L | (SP23, C13)  | YP-18, or YP-18L | 5-15P (HG) | 10A, 125V              | 18/3     | SJT, SJTO, SJTOW          |
|                  |              |                  |            | 13A, 125V              | 16/3     | SJT, SJTO, SJTOW          |
|                  |              |                  |            | 15A, 125V              | 14/3     | SJT, SJTO, SJTOW          |
| YC-14            | (SP23, C13)  | YP-18, or YP-18L | 5-15P (HG) | 10A, 125V              | 18/3     | SJT, SJTO, SJTOW          |



CSA Group

Certificate: 1155953

Master Contract: 177323 (LL 76398)

Project: 2767514

Date Issued: October 17, 2014

|                     |             |                  |                 |               |      |  |
|---------------------|-------------|------------------|-----------------|---------------|------|--|
| YC-12, or<br>YC-12L | (SP23, C13) | YP-32, or YP-32L | (SP23, Sd, C14) | 10A, 125/250V | 18/3 | SVT (S&U),<br>SJT(S&U) , SJTW<br>(S&U), SJTO(S&U),<br>SJTOW(S&U),<br>ST(S&U), STW(S&U),<br>STOW(S&U), SJ<br>(S&U), SJO(S&U),<br>SJO(S&U),<br>SJOOW(S&U),<br>SO(S&U), SOO(S&U),<br>SOW(S&U),<br>SOOW(S&U) |
|                     |             |                  |                 | 13A, 125/250V | 16/3 | SJT(S&U) , SJTW<br>(S&U), SJTO(S&U),<br>SJTOW(S&U),<br>ST(S&U), STW(S&U),<br>STOW(S&U), SJ<br>(S&U), SJO(S&U),<br>SJO(S&U),<br>SJOOW(S&U),<br>SO(S&U), SOO(S&U),<br>SOW(S&U),<br>SOOW(S&U)               |
|                     |             |                  |                 | 15A, 125/250V | 14/3 | SJT(S&U) , SJTW<br>(S&U), SJTO(S&U),<br>SJTOW(S&U), SJ<br>(S&U), SJO(S&U),<br>SJO(S&U),<br>SJOOW(S&U),<br>SO(S&U), SOO(S&U),<br>SOW(S&U),<br>SOOW(S&U)   |
| YC-14               | (SP23, C5)  | YP-32, or YP-32L | (SP23, Sd, C14) | 10A, 125/250V | 18/3 | SVT (S&U), SJT(S&U),<br>SJTOW(S&U), SJTO,<br>SJTOW, SJO, SJOOW   |

LEGEND: "(S&U)" shielded and unshielded, "(SP23)" Special-use, 2 pole, 3 wires, "(Sd)" Shrouded, "(HG)" Hospital Grade.



CSA  
Group

Certificate: 1155953

Master Contract: 177323 (LL 76398)

Project: 2767514

Date Issued: October 17, 2014

**APPLICABLE REQUIREMENTS**

- CSA Std.C22.2 No. 21-95 - Cord Sets and Power Supply Cords
- CSA Std. C22.2 No. 182.3-M1987 - Special Use Attachment Plugs, Receptacles, and Connectors
- Certification Notice - Wiring Products No. 6
- INFORMS
- Cord Sets No. 7A - Production-Line Test for Cord Sets and Power



## Supplement to Certificate of Compliance

Certificate: 1155953

Master Contract: 177323 (LL 76398)

*The products listed, including the latest revision described below,  
are eligible to be marked in accordance with the referenced Certificate.*

### Product Certification History

| Project    | Date             | Description   |
|------------|------------------|---|
| 2767514    | October 16, 2014 | Include Cat Nos. YP-12L, YP-18, YP-18L, YC-14.  |
| 2183539    | July 28, 2009    | Include alternative body material, inner body material and blade, for Cat No YC-12.   |
| 1868158    | March 19, 2007   | Include Alternative PVC Compounds to connector, Cat No. YC-12.  |
| 1299531    | June 6, 2002     | Cover Additional Cord Type SPT-2, 18/3 for Special-use Cord Set , Cat No YC-12 with YP-12.  |
| 1155953    | March, 14, 2001  | Special-use Cord Set incorporating Connector Body, Cat No. YC-12 and 5-15P Plug Cap, Cat No. YP-12. (Supersedes Report LL 76398-1 and Covered Additional Cord Type SJT, 14/3 AWG) |
| LR 76393-7 | June 10, 1998    | Special-use Cord Sets Covered in Report LL 76398-1 to Comply with CSA Certification Notice-Wiring Products No. 6.   |
| LR 76393-9 | June 8, 1998     | Special-use Cord Sets to Add Connector Body Cat No YC-12L.  |
| LR 76393-3 | February 2, 1996 | Cord Sets Incorporating Connector Body Cat No YC-12 to Include Additional Size and Type of Cord.  |
| LR 76393-1 | July 8, 1993     | Original Certification.(Superseded by Report 1155953)   |

**ZJCZ.E241374**  
**Flexible Cord**[Page Bottom](#)

---

**Flexible Cord**[See General Information for Flexible Cord](#)**YUNG LI CO LTD**

E241374

7F-12 NO 99 SEC 1 XINTAI 5TH RD  
XIZHI DISTRICT  
NEW TAIPEI, 22175 TAIWAN**Decorative cord**, Type(s) SPT-1W, SPT-2W**Dryer and range cord**, Type(s) SRDT**Jacketed cord**, Type(s) S, SE, SE-HF, SJ, SJE, SJE-HF, SJO, SJO, SJOOW, SJOW, SJT, SJT-B, SJTO, SJTOW, SJTW, SO, SOO, SOOW, SOW, ST, ST-B, STO, STOW, STW, SVE, SVE-HF, SVT, SVT-B, SVTO**Parallel cord**, Type(s) NISPE-1, NISPE-1-HF, NISPE-2, NISPE-2-HF, NISPT-1, NISPT-2, SPE-1, SPE-1-HF, SPE-2, SPE-2-HF, SPE-3, SPE-3-HF, SPT-1, SPT-2, SPT-3[Last Updated](#) on 2016-03-07

---

[Questions?](#)[Print this page](#)[Terms of Use](#)[Page Top](#)

◆ 2016 UL LLC

The appearance of a company's name or product in this database does not in itself assure that products so identified have been manufactured under UL's Follow-Up Service. Only those products bearing the UL Mark should be considered to be Certified and covered under UL's Follow-Up Service. Always look for the Mark on the product.

UL permits the reproduction of the material contained in the Online Certification Directory subject to the following conditions: 1. The Guide Information, Assemblies, Constructions, Designs, Systems, and/or Certifications (files) must be presented in their entirety and in a non-misleading manner, without any manipulation of the data (or drawings). 2. The statement "Reprinted from the Online Certifications Directory with permission from UL" must appear adjacent to the extracted material. In addition, the reprinted material must include a copyright notice in the following format: "© 2016 UL LLC".



# Certificate of Compliance

**Certificate:** 1594794 (LL 76398)

**Master Contract:** 177323

**Project:** 2616524

**Date Issued:** April 3, 2013

**Issued to:** Yung Li Company Ltd.

1F No 10 Lane 235 Pao Chiao Rd  
Hsin Tien City  
Taipei Hsien,  
Taiwan  
Attention: Wendy Wu

*The products listed below are eligible to bear the CSA Mark shown*



*Kim Nguyen*

**Issued by:** Kim Nguyen, P. Eng.

## **PRODUCTS**

**CLASS 5831 01** - WIRES - Flexible Cord

Types SPT-1, NISPT-1, SPT-2, NISPT-2, SPT-3, SVT, SVTO, SJT, SJTW, SJTO, SJTOW, ST, STW, STO, STOW with PVC insulation and jacket, rated 60C, 75C, 90C and 105C, FT1, FT2, VW-1.

## **APPLICABLE REQUIREMENTS**

CSA C22.2 No 49 - Flexible Cords and Cables