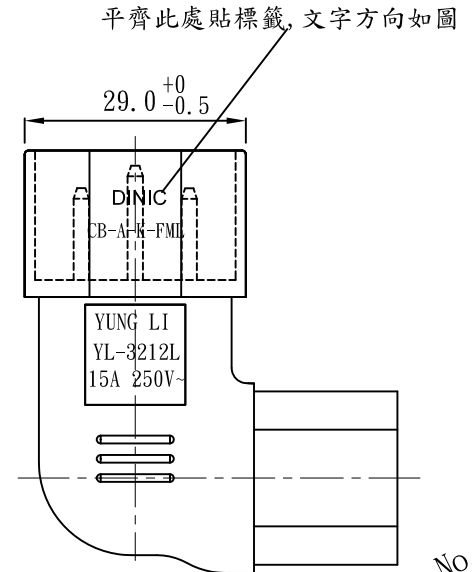
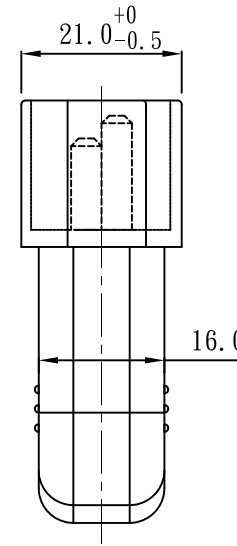
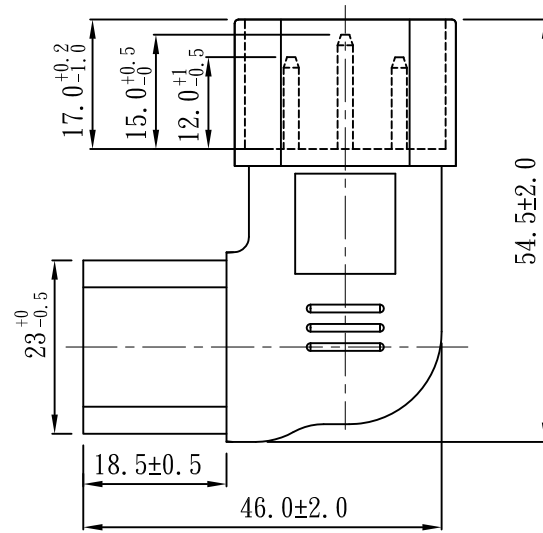
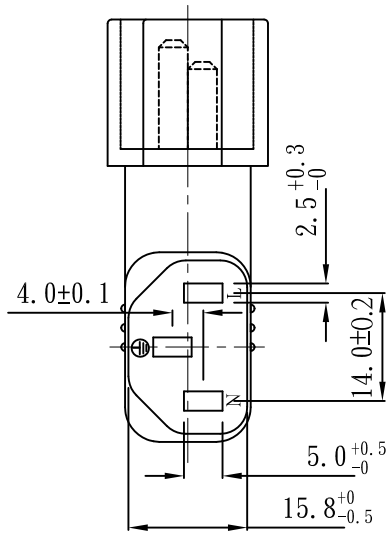
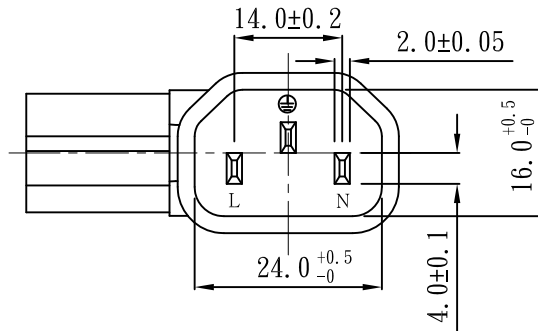


IEC 60320 C13 to Right Angle IEC 60320 C14 Plug

外箱標籤:每箱貼一張

產品型號
Model: YL-3212L
電流電壓
Rated voltage current: 250V~ 15A
License holder: Yung Li Co.,Ltd
Mark: YUNG LI
Manufacturer: Yung Li Co.,Ltd
Address: Da Pu Industrial Zone,
Gang Zi Chang Ping Town,
Dong Guan City, Guang Dong,
China 523571

60mm
60mm



60mm
60mm

CE
MAG GmbH
Vechedler Str.22
38268 Lengede
Germany

MAX. 250V/15A
DINIC
CB-A-K-FML

4032528038315

30PCS

袋子標籤:每袋裝30PCS, 貼一張標籤

9mm

CE
MAG GmbH
Vechedler Str.22
38268 Lengede
Germany

MAX. 250V/15A
DINIC
CB-A-K-FML

4032528038315

Sample Drawing No. :
SP230130-01
掃描內容為:
4032528038315

Note:

- 1.Rating:15A 250V
- 2.Insulation Resistance:100MΩ
- 3.Dielectric Voltage:2000V/sec

TOLERANCE >0±0.30 >1.0±0.50 >10.0±1.0 >20.0±2.0 Angle: ±1°	APPROVED	DATE	YUNG LI CO.,LTD			
	CHECKED	DATE				
	DRAWN	SUKI	DATE	23.01.30	CUSTOMER	MAG
	TYPE	YL-3212L(15A 250V)			P/N	CB-A-K-FML
	DRAWING NO.	REV	B	MATERIAL	P. V. C	UNIT
			SCALE			