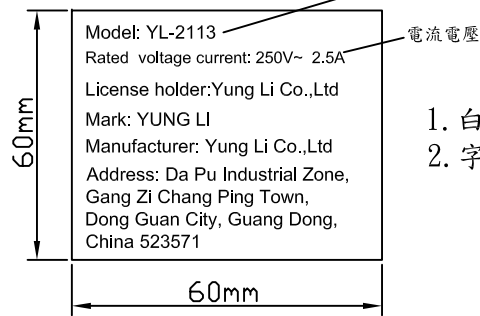
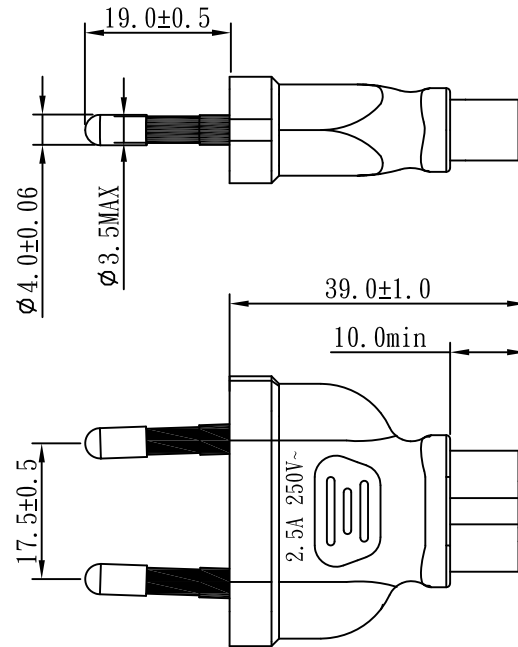
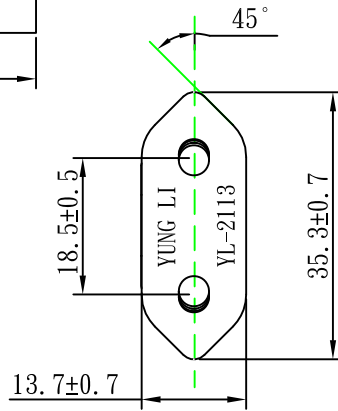


外箱標籤:每箱貼一張

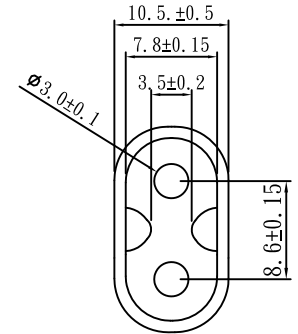


1. 白底黑字
2. 字體: Arial

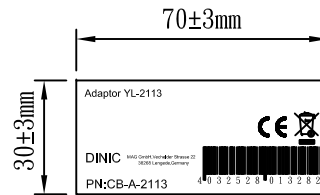


Note:

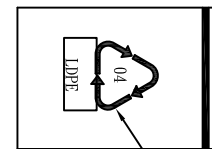
1. Rating: 2.5A 250V
2. Insulation Resistance: 100MΩ
3. Dielectric Voltage: 2000V/sec



(SACLE 1.5:1)



標籤貼在環保標誌的背面



BLACK LOGO

TOLERANCE >0±0.30 >1.0±0.50 >10.0±1.0 >20.0±2.0 Angle: ±1°	APPROVED		DATE		YUNG LI CO., LTD			
	CHECKED		DATE					
	DRAWN	SUKI	DATE	20.11.17	CUSTOMER	MAG		
	TYPE	YL-2113(10mm)			P/N	CB-A-2113		
	DRAWING NO.	CY-A2113-02	REV	B	MATERIAL	P. V. C	UNIT	mm
				SCALE	1:1			