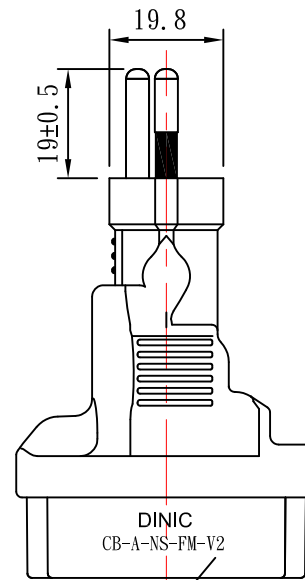
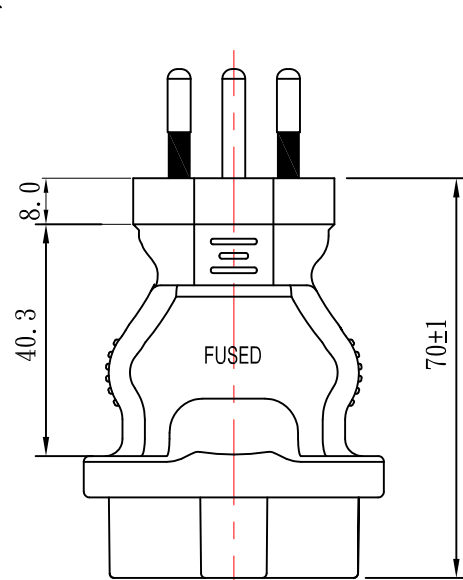
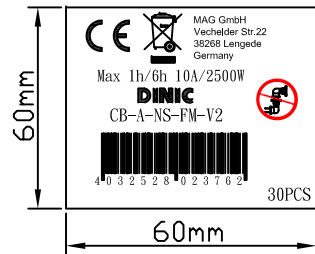


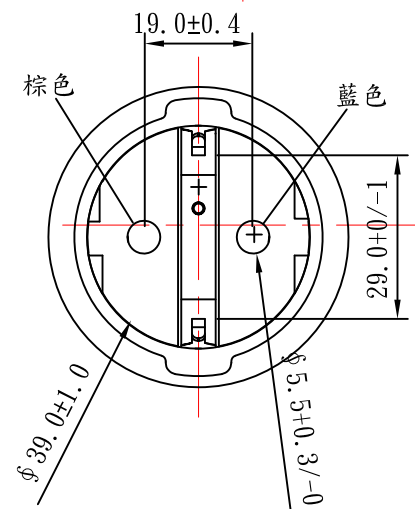
白底黑字+合成紙

掃描內容為:  
4032528023762

袋子標籤:每30PCS裝一袋,貼標籤一張



以進料點為起點,平齊此處貼標籤,文字方向如圖。

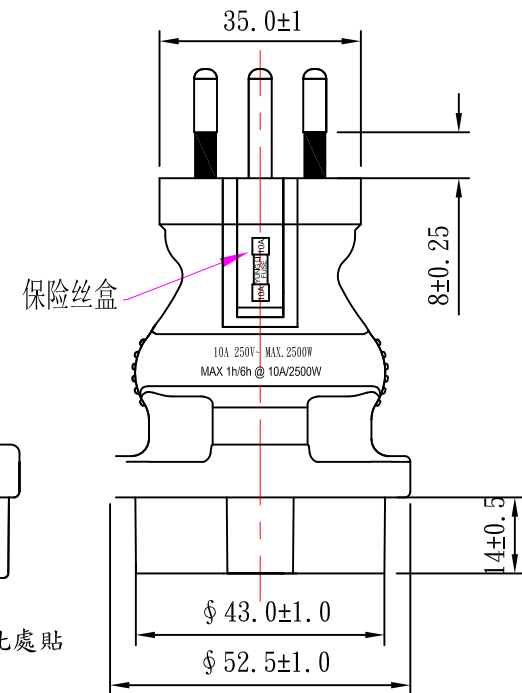


Note:

1.Rating:10A 250V

2.Insulation Resistance:100MΩ

3.Dielectric Voltage:2000V/sec



Tolerance >0±0.30 >1.0±0.50 >10.0±1.0 >20.0±2.0 Angle: ±1°	Approved		Date		YUNG LI CO., LTD.			
	Checked		Date					
	Drawn	SUKI	Date	22.08.01	Customer	MAG		
	Cat. No.	YL-4623(FUSE)			P/N.	CB-A-NS-FM-V2		
	Drawing No.	CY-A4623F-01		Rev.	C	Material	P.V.C	Unit
					HEFT(g)			