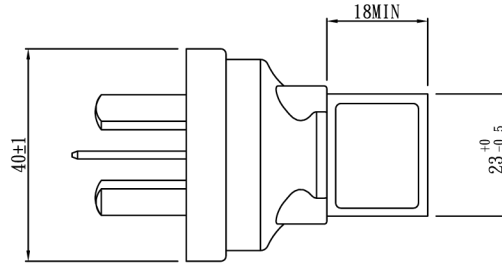
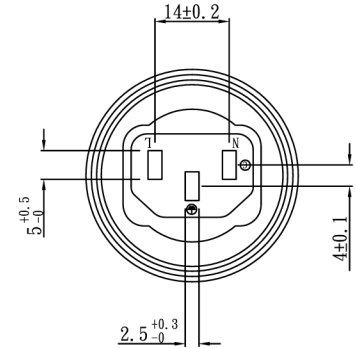
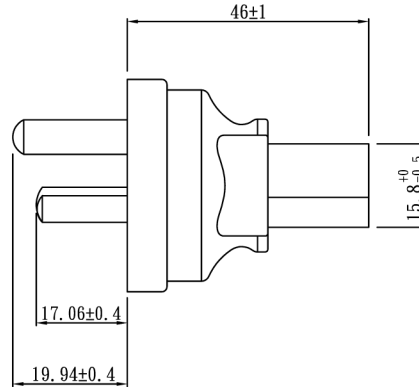
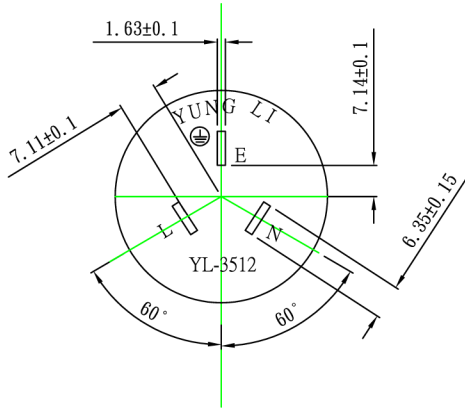


RoHS Compliant



Note:

- 1.Rating:10A 250V
- 2.Insulation Resistance:100MΩ
- 3.Dielectric Voltage:2000V/sec



NO.	SPECIFICATION	Q'TY	REMARK
1	1015 18AWG (Brown Blue Gen/Yel)	3PCS	WT IS
2	SAA H. S. G/3PIN	1PC	JJ
3	TER:98675	3PCS	JT
4	TER:55198/97740	3PCS	JT
5	YC-12 INNER BODY(005-6A)	1PC	JJ
6	YC-12 INNER BODY(005-5A)	1PC	JJ
7	PVC:50P		GEORGIA GULF
8	SAA SLEEVE	1PC	
9	ZIP BAG	1PC	SIZE:110X85X0.06mm

TOLERANCE >0±0.30 >1.0±0.50 >10.0±1.0 >20.0±2.0 Angle: ±1°	APPROVED	DATE	YUNG LI CO., LTD				
	CHECKED	DATE					
	DRAWN	DATE					
	TYPE	YL-3512		P/N			
DRAWING NO.	CY-A3512	SCALE	1:1	MATERIAL	P. V. C	UNIT	mm