

東莞永力電業有限公司

YUNG LI CO., LTD

Da Pu Industrial Zone, Gang Zi, Changping Town,
Dong Guan City, Guangdong 523571 China.P.R.C

TEL:0769-83396797~8

FAX:0769-83396796

E-mail: sales@yung-li.com

Description: USA to angled C13

Customer:

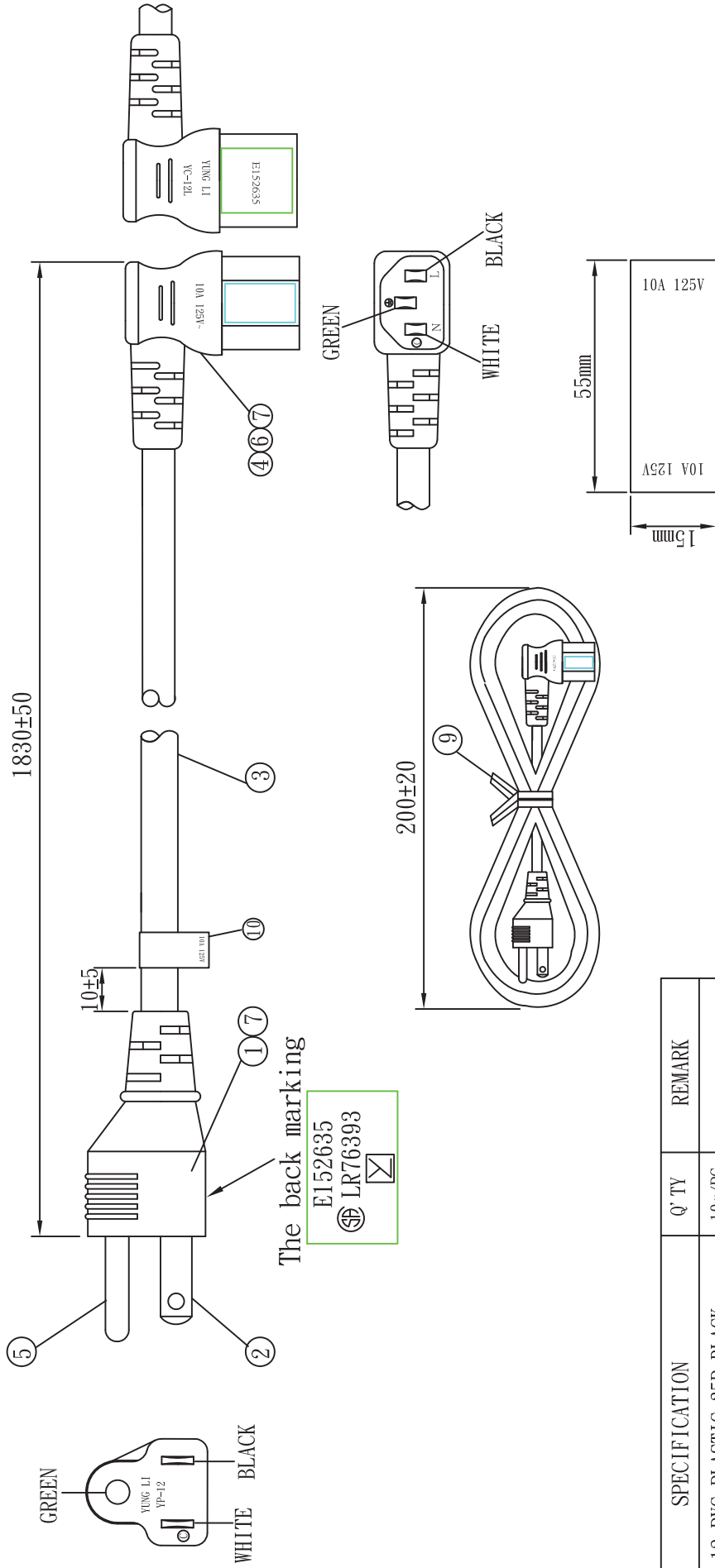
Parts No. : CB-N-US-90 / YP-12/YC-12L

Draw No. :

REVISION RECORD

1		
2		
3		
4		
5		

YUNG LI		CUSTOMER	APPROVED
CHECKED	PREPARED BY		

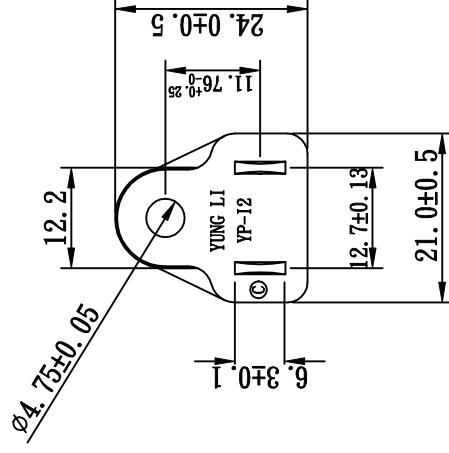
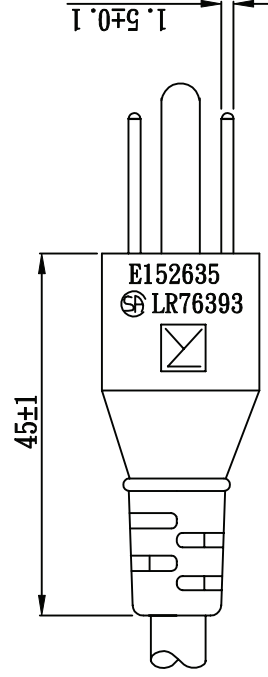
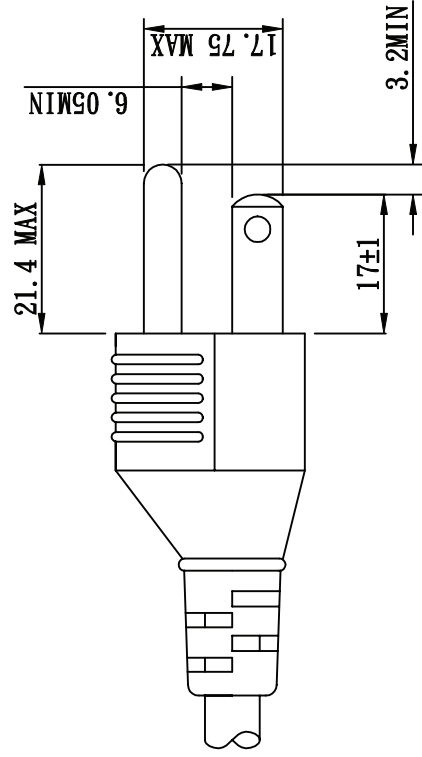


The back marking

E152635
 LR76393

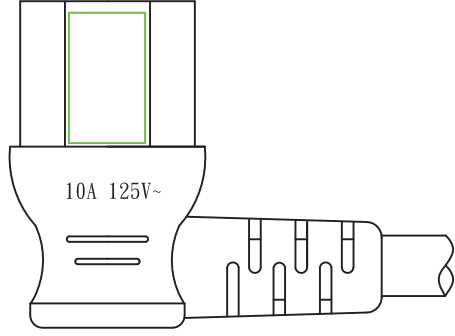
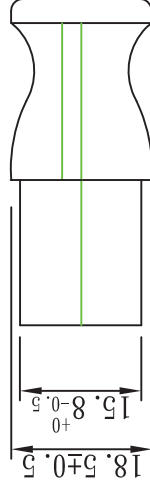
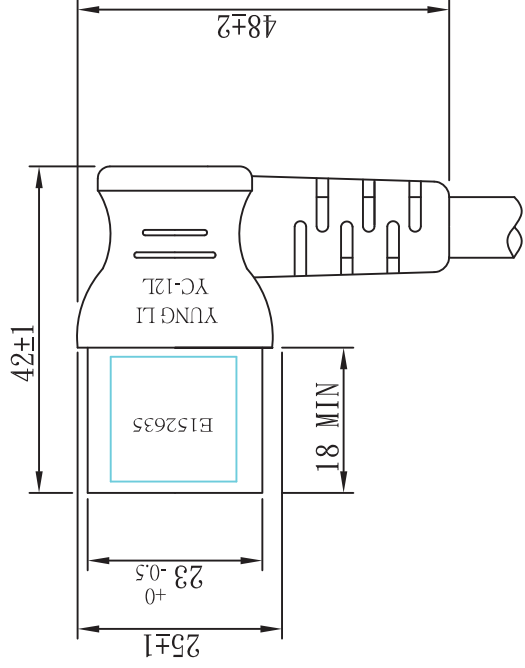
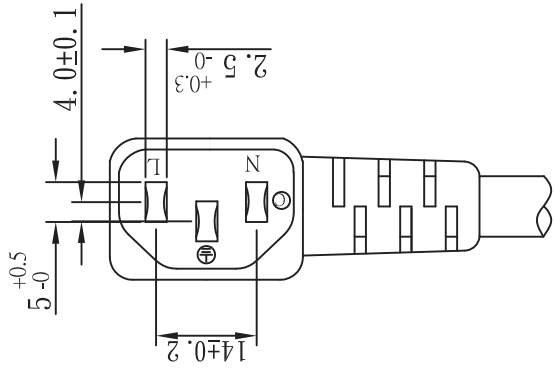
NO.	SPECIFICATION	Q'TY	REMARK
1	YP-12 PVC PLASTIC:35P BLACK	19g/PC	
2	TERMINAL: 98675BS-1/KDF 50T-2	2PCS	
3	SVT 18/3C 105 ° C BLACK	1PC	
4	YC-12L PVC PLASTIC:35P BLACK	18g/PC	
5	TERMINAL: 98475	1PC	
6	U-TYPE TERMINAL: 97740BS-0	3PCS	
7	YP-12 INNER BODY	1PC	
8	YC-12L INNER BODY	1PC	
9	MINI TIE L=130mm BLACK	1PC	
10	LABEL:15X55mm 自粘布	1PC	

YUNG LI CO.,LTD			
Approved	Date	Customer	MAG
Checked	Date	P/N.	
Drawn	Date	Material	P. V. C
Cat. No.	YP-12/YC-12L	Scale	
Drawing No.	SP110617-03	Rev.	B
Tolerance	>0±0.30		
	>1.0±0.50		
	>10.0±1.0		
	>20.0±2.0		
	Angle: ±1°		



APPROVED		DATE	YUNG LI CO., LTD	
CHECKED		DATE	CUSTOMER	
DRAWN		DATE	P/N	MATERIAL
TYPE		YP-12		
P/N		P.V.C		
DRAWING NO.		CY-P12U	REV	B
TOLERANCE		SCALE 1:1		
>0±0.30		UNIT mm		
>1.0±0.50		P.V.C		
>10.0±1.0		1:1		
>20.0±2.0		UNIT		
Angle: ±1°		UNIT		





一般寸法公差:
 $>0 \pm 0.30$
 $>1.0 \pm 0.50$
 $>10.0 \pm 1.0$
 $>20.0 \pm 2.0$
 Angle: $\pm 1^\circ$

核准	日期			
審核	日期			
制圖	羅生英	11.06.11		
型號	YC-12L(美規10A)		料號	
圖號	CY-C12LUI0A		材質	P.V.C
			單位	mm
			比例	1:1

永力電業有限公司
 YUNG LI CO., LTD.



SPECIFICATION

TYPE	DESCRIPTION	PART NO.	PAGE
YP-12/YC-12L	POWER SUPPLY CORD		1 of 3

1. SCOPE:

This specification applies to **POWER SUPPLY CORDS** which are in compliance with With **UL & CSA** standards and authorized by **UL & CSA** as following files.

UL E152635

**CORD SETS & POWER
SUPPLY CORDS**

CSA LR76393, LL76398

SPECIAL USE CORD SET

2. Standard of applicable

No.	Item	Type	Max. voltages	Max. current	File No.
2.1	Plug	YP-12			E152635,LR76393
2.2	Connector	YC-12L	125V	10A	E152635,LL76398
2.3	Cord	SVT 18/3C 105°C BK			

3. TEST CONDITION: This test and measurement, unless otherwise specified shall be carried out at a temperature of 15⁰C to 35⁰C, relative humidity of 25% to 85%, and atmospheric pressure of 86kpa to 106kpa.

However, when any doubt arises on the judgement value under it the test and measurement shall be carried out at a temperature of 20±2⁰C, relative humidity of 60% to 70%, and atmospheric pressure of 86kpa to 106kpa.

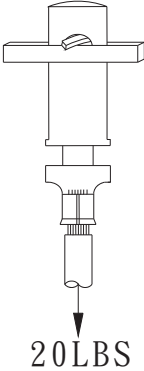
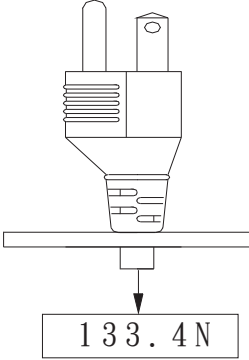
4.ELECTRICAL PERFORMANCE

NO.	Item	Test condition	Requirement
4-1	Dielectric Withstanding Voltage test	AC2500V is applied between a conductor and other conductor for 1 second. Loss of electric current at 1mA	No breakage
4-2	Current and Polarity test	L=L E=E N=N	No problem with Conductor
4-3	Insulation resistance test	In the air 20 ⁰ C~60 ⁰ C DC 500V	5MΩ / km MIN

SPECIFICATION

TYPE	DESCRIPTION	PART NO.	PAGE
YP-12/YC-12L	POWER SUPPLY CORD		2 of 3

5.MECHANICAL PERFORMANCE

NO.	Item	Test condition	Requirement
5-1	Aging test	Exposure to $70\pm 2^{\circ}\text{C}$, atmosphere for 168 hours under natural ventilation.	No crack mucus mark wire exposure short and opposite polarity.
5-2	Input & output Force to connector	It is tested after taking the action of 10time input & output.	Applied force is 1~6kg
5-3	Pulling out force of terminal	The connection between blade terminal and conductor shall not break under a pull force of 20lbs for 1minute 	Blade can not fall down
5-4	Pulling out force of cord	The joint in flexible cord is to be securely supported by a rigid flat mounted horizontally, a pull of 133.4N weight for one minute to the flexible cord 	No looseness

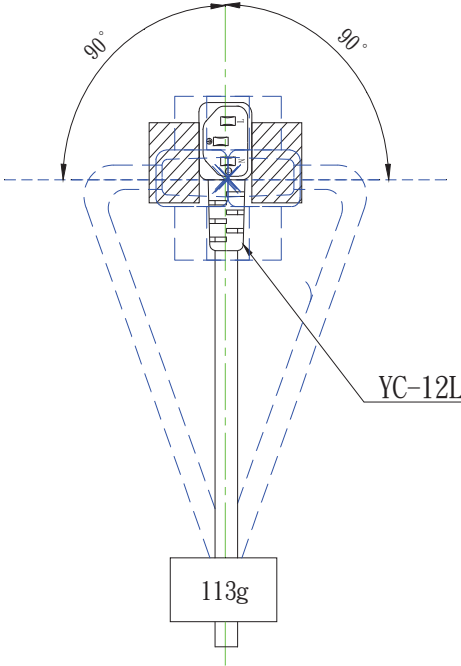
SPECIFICATION

YP-12/YC-12L

POWER SUPPLY CORD

3 of 3

6.MECHANICAL PERFORMANCE

NO.	Item	Test condition	Requirement
6-1	Bending force	<p>The power supply cord division is fixing and load of 113g is added to a tip of a cable. It is made to do 2500times bending on right and left each 90° (bending speed 40 times/minute)</p> 	Breaking rate is under 10%

YUNG LI CO., LTD

SPECIFICATION

Yung-Li	Style	PVC FLEXIBLE CORDS	Document No
2008.8.10			
Edition	Size	SVT 18/ 3C 105°C	Page
A			1/2

1. Standard : UL 62 UL 1581

2. Construction & Dimension

	Item	Specification
Conductor	Size	18AWG x 3C
	Material	Annealed Bare Copper
	Construction	41/ ϕ 0.16±0.002
Insulation	Material	P.V.C.
	Minimum Average Thickness	0.38mm
	Minimum Thickness at any point	0.33mm
	Diameter	2.1 ± 0.1
	Identification	Black, Green, White
Core Assembly	Core Twist	3-Core
	Filler	Cotton 8000D
	Assembly Pair	NA
Taping	Mylar Foil	NA
Shielded	A1-Mylar Foil	NA
Drain Wire	Material	NA
	Construction	NA
Jacket	Material	PVC
	Minimum Average Thickness	0.76mm
	Minimum Thickness at any point	0.61mm
	Overall Diameter(Approx)	6.3 ± 0.15
	Color	Any Color

Marking :

YUNG LI (UL) E241374 SVT 3/C 18AWG(0.824mm²) 105°C 300V VW-1
CSA 177323 SVT 3/C 18AWG(0.824mm²) 105°C 300V FT-2

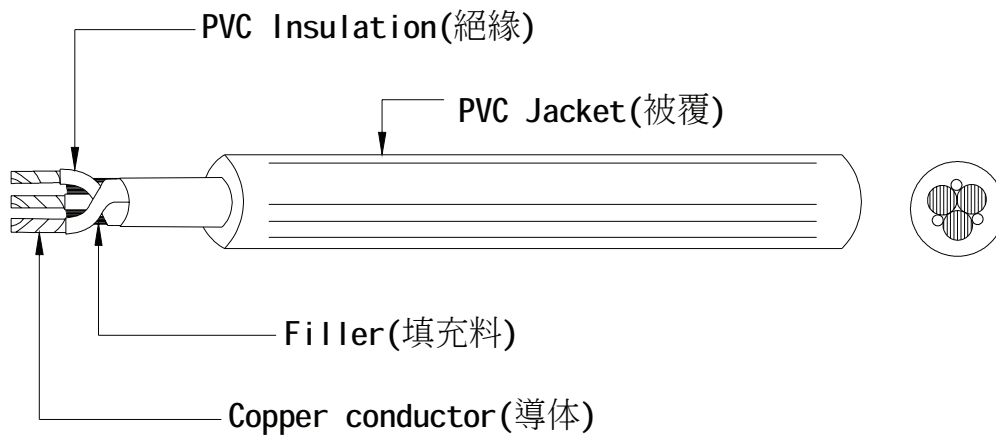
YUNG LI CO., LTD

SPECIFICATION

Yung-Li	Style	PVC FLEXIBLE CORDS	Document No
2008.8.10			
Edition	Size	SVT 18/ 3C 105°C	Page
A			2/2

3. Electrical & Physical Properties			
Item		Specification	
Rating Voltage		300V	
Insulation Resistance		$\geq 0.76\text{M}\Omega/\text{Km}$ 15.0°C Min	
Dielectric Strength		AC 1.5KV/1 min No Crack	
Spark Test		3.0KV/0.15 Sec	
Insulation	Unaged	Tensile Strength	1500 lbs/in2 min
		Elongation	100% Min
	Aged	Tensile Strength	Min 85% (136±1°C x 168hrs)
		Elongation	Min 65% (136±1°C x 168hrs)
Jacket	Unaged	Tensile Strength	1500 lbs/in2 min
		Elongation	100% Min
	Aged	Tensile Strength	Min 85% (136±1°C x 168hrs)
		Elongation	Min 45% (136±1°C x 168hrs)
Deformation Test		121°C±1°Cm X 1hr $\leq 50\%$	
Cold Bend Test		-20°C x 4hr No Crack	
Heat Shock Test		121°C±1°C x 1hr No Crack	
Flame Test		VW-1	

Graph:





ELBZ7.E152635

Cord Sets and Power-supply Cords Certified for Canada

Page Bottom

Cord Sets and Power-supply Cords Certified for Canada

See General Information for Cord Sets and Power-supply Cords Certified for Canada

YUNG LI CO LTD

E152635

1ST FL

10 LANE 235 PAO-CHIAO RD

HSIN-TIEN, TAIPEI HSIEN 231 TAIWAN

Power-supply cords

Cat. No.	ANSI/NEMA WD6 Config	Cord AWG	Cord Type	Electrical Rating Amps V
YP-11	1-15	18/2	SPT-1, SPT-1W, NISPT-1, SPT-2, SPT-2W, NISPT-2, SPT-3, HPN, SVT, SVTO, SJT, SJTW, SJTO, SJTOW, SV, SVO, SJ, SJO, SJOW, SJOOW	10/125
		17/2	SVT, SVTO, SV, SVO, SJ, SJO, SJOW, SJOOW	12/125
		16/2	SPT-2, SPT-2W, NISPT-2, SPT-3, SVT, SVTO, SJT, SJTW, SJTO, SJTOW, SV, SVO, SJ, SJO, SJOW, SJOOW	13/125
		16/2	HPN	15/125
		14/2	SPT-3, SJT, SJTW, SJTO, SJTOW, SJ, SJO, SJOW, SJOOW	15/125
YP-11W	1-15P	18/2	SPT-1, SPT-1W, NISPT-1, SPT-2, SPT-2W, NISPT-2, SPT-3, HPN, SVT, SVTO, SJT, SJTW, , SJTO, SJTOW, SV, SVO, SJ, SJO, SJOW, SJOOW	10/125
		17/2	SVT, SVTO, SV, SVO, SJ, SJO, SJOW, SJOOW	12/125
		16/2	SPT-2, SPT-2W, NISPT-2, SPT-3,SVT, SVTO, SJT, SJTW, SJTO, SJTOW, SV, SVO, SJ, SJO, SJOW, SJOOW	13/125
		16/2	HPN	15/125
		14/2	SPT-3, SJT, SJTW, SJTO, SJTOW, SJ, SJO, SJOW, SJOOW	15/125
YP-11C	1-15	18/2	NISPT-1, NISPT-2	10/125
YP-12	5-15	18/3	SVT, SVT Shielded, SVTO, SJT, SJT Shielded, SJTW, SJTW Shielded, SJTO, SJTOW, ST, STW, STOW, SV, SVO, SJ, SJO, SJOW, SJOOW, S, SO, SOW, SOOW, SPT-2, SPT-3	10/125
		17/3	SVT, SVTO, SV, SVO	12/125
		16/3	SVT, SVTO, SJT, SJTW, SJTO, SJTOW, ST, STW, STOW, SV, SVO, SJ, SJO, SJOW, SJOOW, S, SO, SOW, SOOW, SPT-2, SPT-3	13/125
		14/3	SJT, SJTW, SJTO, SJTOW, ST, STW, STOW, SJ, SJO, SJOW, SJOOW, S, SO, SOW, SOOW,	15/125

YP-19HL	6-20	14	SJT, SJTW, SJTO, SJTOW, ST, STW, STOW, SO, SOW, SOOW	15/125
		12	SJT, SJTW, SJTO, SJTOW, ST, STW, STOW, SO, SOW, SOOW	20/125
		18	SJT, SJT SHIELED, SJTW, SJTW SHIELED, SJTO, SJTOW, ST, STW, STOW, SJ, SJO, SJOW, SJOOW, S, SO, SOW, SOOW	10/250
		16	SJT, SJTW, SJTO, SJTOW, ST, STW, STOW, SO, SOW, SOOW	13/250
		14	SJT, SJTW, SJTO, SJTOW, ST, STW, STOW, SO, SOW, SOOW	15/250
		12	SJT, SJTW, SJTO, SJTOW, ST, STW, STOW, SO, SOW, SOOW	15/250

Special-use cord sets

Cat. No.	IEC 320 Config	Cord AWG	Cord Type	Electrical Rating Amps V
YC-11	IEC C17	18	SPT-1, SPT-2, NISPT-1, NISPT-2, SPT-3, SVT, SJTO, SJTOW, ST, STW, STOW, SO, SOW, SOOW	125/250
		16	SPT-2, NISPT-2, SPT-3, SVT, SJT, SJTW, SJTO, SJTOW, ST, STW, STOW, SO, SOW, SOOW	125/250
YC-12, YC-12L	IEC C13	18	SVT, SVT Shielded, SJT, SJT Shielded, SJTW, SJTW Shielded, SJTO, SJTOW, ST, STW, STOW, SO, SOW, SOOW, SPT-2, SPT-3	125/250
		16	SJT, SJTW, SJTO, SJTOW, ST, STW, STOW, SO, SOW, SOOW, SPT-3	125/250
		14	SJT, SJTW, SJTO, SJTOW, ST, STW, STOW, SO, SOW, SOOW, SPT-3	125/250
YC-12 (A.C.1)	IEC C13	12	SJT, SJTW, SJTO, SJTOW, ST, STW, STOW, SO, SOW, SOOW, SPT-3	125/250
		10	SJT, SJTW, SJTO, SJTOW, ST, STW, STOW, SO, SOW, SOOW	125/250
YC-12C	IEC C13	18	NISPT-2	125/250
		16	NISPT-2	125/250
YC-13	IEC C7	18	SPT-1, SPT-1W, SPT-2, SPT-2W, NISPT-2, SVT, SJT	125
			NISPT-1	
YC-13W	IEC C7P	18	SPT-1, SPT-1W, SPT-2, SPT-2W, NISPT-2	125
YC-14	IEC C5	18	SVT, SVT Shielded, SVTO, SJT, SJT Shielded, SJTW, SJTW Shielded, SJTO, SJTOW, SV, SVO, SJ, SJO, SJOW, SJOOW	10/125
			SPT-2	
YC-13L	IEC C7	18	SPT-1, SPT-1W, SPT-2, SPT-2W	125
YC-13D	IEC C7	18	SPT-1, SPT-1W, SPT-2, SPT-2W, NISPT-1, NISPT-2, SJT, SVT	125
YC-13C	IEC C7	18	NISPT-1, NISPT-2	125
YC-14L	IEC C5	18	SVT, SJT, SPT-2	15
YC-18	IEC C19	16	SJT, SJTW, SJTO, SJTOW, SJTOOW, SJ, SJO, SJOO, SJOW, SJOOW, ST, STW, STOW, STOOW, S, SO, SOW, SOO, SOOW, SPT-3	125 or 250
		14	SJT, SJTW, SJTO, SJTOW, SJTOOW, SJ, SJO, SJOO, SJOW, SJOOW, ST, STW, STOW, STOOW, S, SO, SOW, SOO, SOOW, SPT-3	125 or 250
		12	SJT, SJTW, SJTO, SJTOW, SJTOOW, SJ, SJO, SJOO, SJOW, SJOOW, ST, STW, STOW, STOOW, S, SO, SOW, SOO, SOOW, SPT-3	125 or 250 V ac
YC-18L	IEC	16	SJT, SJTW, SJTO, SJTOW, SJTOOW, SJ, SJO, SJOO, SJOW, SJOOW,	125 or 250



CERTIFICATION RECORD

The company named below has been authorized by CSA to represent the products listed in this record as "CSA Certified" and to affix the CSA Mark to these products according to the terms and conditions of the CSA Service Agreement and applicable CSA program requirements (including additional Markings).

File No: 076393 0 000

Class No: 5842 02 CORD SETS Power Supply Cords

SUBMITTOR

4554507 Yung Li Company Ltd.
1F No 10 Lane 235 Pao Chiao Rd
Hsin Tien City
Taipei Hsien,
Taiwan

FACTORY

4554507 Yung Li Company Ltd.
1F No 10 Lane 235 Pao Chiao Rd
Hsin Tien City
Taipei Hsien,
Taiwan

October 11, 2001(Replaces:April 23, 2001)

IN COMPLIANCE WITH CSA STD. C22.2 NO 21-95:

- Power supply cords consisting of the following plug caps moulded on flexible cords as indicated:

Cat No Plug Caps	Config- uration	Rating of PSC		AWG	Flexible Cord Type
		Amp	Volts		
YP-11, -11W	1-15P	10	125	18	SPT-1,-2, SVT, SPT-2 non-integral SPT-2, SVT, SPT-2 non-integral
		13	125	16	
YP-12, YP-12L	5-15P	10	125	18	SJT,SVT, SVT(Sh), SPT-2 SJT, SPT-2 SJT
		13	125	16/3	
		15	125	14/3	
YP-12A	5-15P	15	125	14/3	ST
YP-32	2p, 3W(Sp) (Sd)	10	125	18	SJT, SVT, SVT(Sh)

**ZJCZ.E241374
Flexible Cord**[Page Bottom](#)

Flexible Cord[See General Information for Flexible Cord](#)**YUNG LI CO LTD**

E241374

1ST FL

10 LANE 235 PAO-CHIAO RD

HSIN-TIEN, TAIPEI HSIEN 231 TAIWAN

Jacketed cords, Type SJTW, STW, SJTO, SJTOW, STO, STOW, SJ, S, SJO, SO, SVT, SVTO, SJT, ST, SJOW, SJOOW, SOW, SOOW, SJO, SOO.

Parallel cords, Type SPT-1, SPT-2, SPT-3, SPT-1W, SPT-2W, NISPT-1, NISPT-2.

Rang and dryer cord, Type SRDT.

[Last Updated on 2007-02-12](#)

[Questions?](#)[Notice of Disclaimer](#)[Page Top](#)

[Copyright © 2007 Underwriters Laboratories Inc.®](#)

The appearance of a company's name or product in this database does not in itself assure that products so identified have been manufactured under UL's Follow-Up Service. Only those products bearing the UL Mark should be considered to be Listed and covered under UL's Follow-Up Service. Always look for the Mark on the product.

UL permits the reproduction of the material contained in the Online Certification Directory subject to the following conditions: 1. The Guide Information, Designs and/or Listings (files) must be presented in their entirety and in a non-misleading manner, without any manipulation of the data (or drawings). 2. The statement "Reprinted from the Online Certifications Directory with permission from Underwriters Laboratories Inc." must appear adjacent to the extracted material. In addition, the reprinted material must include a copyright notice in the following format: "Copyright © 2007 Underwriters Laboratories Inc.®"

An independent organization working for a safer world with integrity, precision and knowledge.





CSA INTERNATIONAL

Certificate of Compliance

Certificate: 1594794 (LL 76398)

Master Contract: 177323

Project: 2128031

Date Issued: 2009/03/03

Issued to: Yung Li Company Ltd.

1F No 10 Lane 235 Pao Chiao Rd
Hsin Tien City
Taipei Hsien,
Taiwan
Attention: Mr. W.T. Lai

The products listed below are eligible to bear the CSA Mark shown



Issued by: Kim Nguyen, P. Eng.

Authorized by: Nick Alfano, Operations
Manager

PRODUCTS

CLASS 5831 01 - WIRES - Flexible Cord

Types SPT-1, NISPT-1, SPT-2, NISPT-2, SPT-3, SVT, SVTO, SJT, SJTW, SJTO, SJTOW, ST, STW, STO, STOW with PVC insulation and jacket, rated 60C, 75C, 90C and 105C, FT1, FT2, VW-1.

APPLICABLE REQUIREMENTS

CSA C22.2 No 49 - Flexible Cords and Cables



CSA INTERNATIONAL

Supplement to Certificate of Compliance

Certificate: 1594794

Master Contract: 177323

The products listed, including the latest revision described below, are eligible to be marked in accordance with the referenced Certificate.

Product Certification History

Project	Date	Description
2128031	2009/03/03	Adding temperature ratings of 75C and 90C to Types SPT-1,-2,-3, NISPT-1,-2, SVT, SJT, SJTW, ST and STW.
1929621	2007/10/17	Types SJTO, SJTOW, STO, STOW, SVTO added.
1625068	2005/01/10	Addition of Flexible cords Types SJTW, STW rated 60C, 105C
1594794	2004/10/14	Original Certification: Flexible Cords SPT-1, -2, -3, NISPT-1, -2, SVT, SJT, ST