

# 東莞永力電業有限公司

YUNG LI CO., LTD

Da Pu Industrial Zone, Gang Zi, Changping Town,  
Dong Guan City, Guangdong 523571 China.P.R.C

TEL:0769-83396797~8

F AX:0769-83396796

E-mail: sales@yung-li.com

Description : YP-83/YC-14\

Customer : \_SY

Parts No. : ED/P/WM\ J

Draw No. : E[ \ D2223

## REVISION RECORD

1		
2		
3		
4		
5		

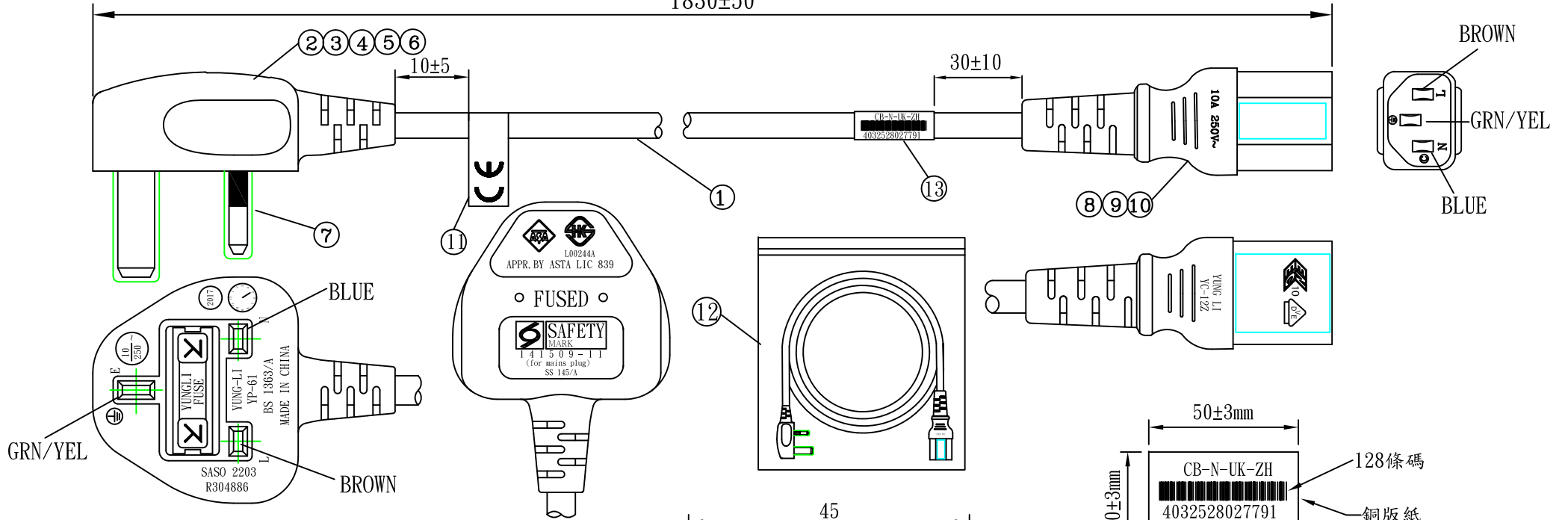
YUNG LI	
CHECKED	PREPARED BY
蔣彥宏*	周淑萍



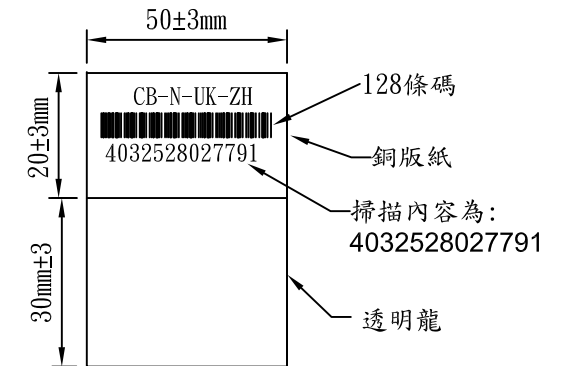
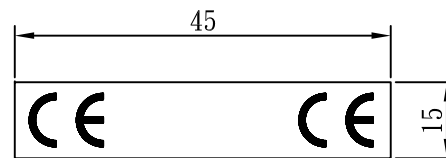
CUSTOMER APPROVED	
CHECKED	PREPARED BY



1830±50



NO.	SPECIFICATION	QTY	REMARK
1	H05Z1Z1-F 1.0/3C BLACK LSZH	1PC	
2	YP-61 TEPPLASTIC:35P BLACK LSZH	45g/PC	
3	FRAME: BLACK LSZH	1PC	
4	FUSE LID: BLACK LSZH	1PC	
5	FRAME LID	1PC	
6	FUSE:10A	1PC	
7	SLEEVE WHITE	1PC	
8	YC-12 INNER BODY LSZH	1PC	
9	TER:97740BS-0	2PCS	
10	YC-12Z TPE PLASTIC:35P BLACK LSZH	18g/PC	
11	Label:45x15mm	1PC	
12	LOCK BAG:280*240*0.04mm	1PC	
13	Label:(30+20)*50mm	1PC	



MARKING:

YUNG LI H05Z1Z1-F 3G 1.0mm<sup>2</sup> <VDE> CE LSZH + HFFR

TOLERANCE >0±0.30 >1.0±0.50 >10.0±1.0 >20.0±2.0 Angle: ±1°	APPROVED	DATE	YUNG LI CO., LTD				
	CHECKED	DATE					
DRAWN	SUKI	DATE	17.5.22	CUSTOMER	MAG		
TYPE	YP-61/YC-12Z			P/N	CB-N-UK-ZH		
DRAWING NO.	CY-ZB0001	REV	B	MATERIAL	TPE	UNIT	mm
				HEFT(g)			

MARKING: YP-61 YUNG-LI

$\frac{10}{250} \sim$

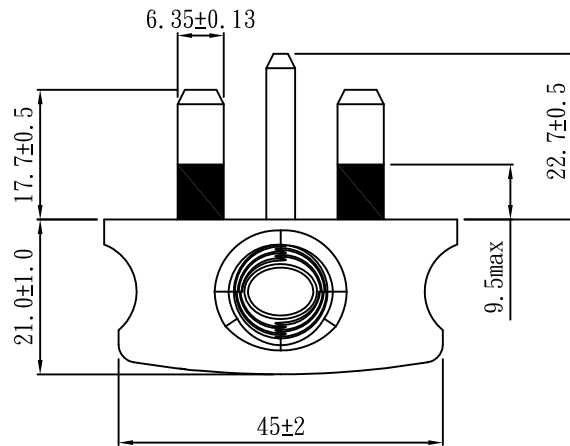
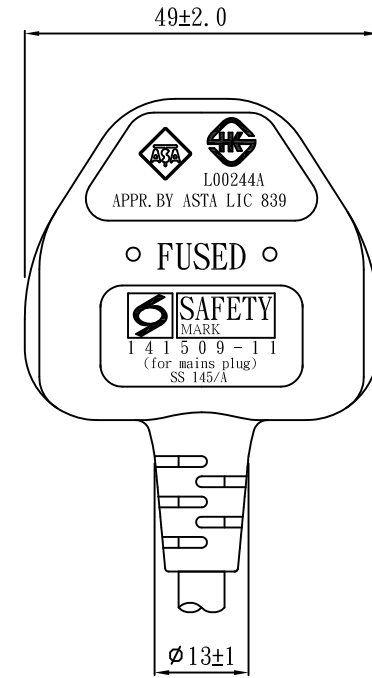
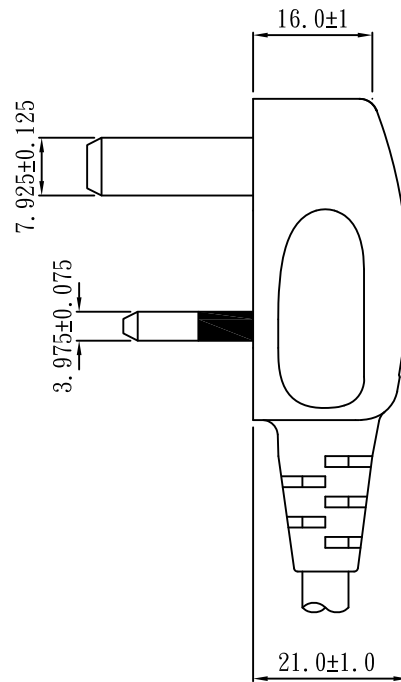
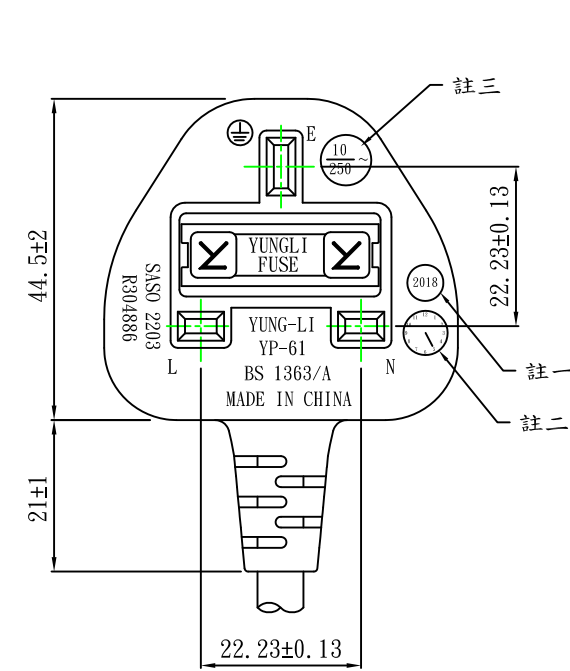
BS1363/A 2018  
MADE IN CHINA



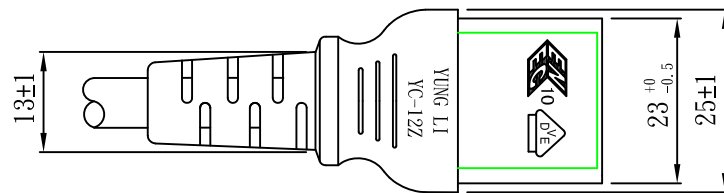
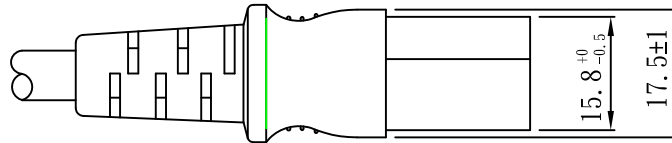
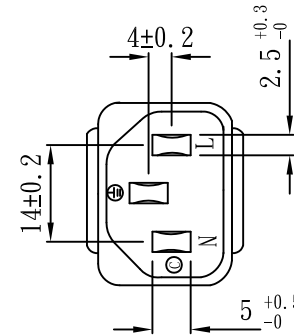
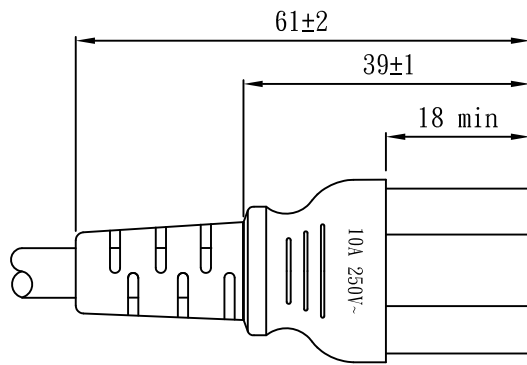
APPR. BY ASTA LIC 839



SASO 2203  
R304886



TOLERANCE >0±0.30 >1.0±0.50 >10.0±1.0 >20.0±2.0 Angle: ±1°	APPROVED		DATE		YUNG LI CO., LTD			
	CHECKED		DATE					
	DRAWN	Melon	DATE	18.08.14				
	TYPE	YP-61(10A)			P/N			
DRAWING NO.	CY-P61B10A	SCALE	1:1	MATERIAL	TPE	UNIT	mm	



TOLERANCE >0±0.30 >1.0±0.50 >10.0±1.0 >20.0±2.0 Angle: ±1°	APPROVED		DATE		YUNG LI CO., LTD			
	CHECKED		DATE					
	DRAWN	MeIon	DATE	18.08.14	CUSTOMER			
	TYPE	YC-12Z			P/N			
	DRAWING NO.		REV	B	SCALE	1:1	UNIT	mm

# YUNG LI CO., LTD

## SPECIFICATION

Yung Li	Style	TPE FLEXIBLE CORDS	Document No
2016.04.13			
Edition	Size	<b>H05Z1Z1-F 3G 1.0mm<sup>2</sup></b>	Page
A			1/2

1. Standard: EN 50525-3-11 IEC 60228

2. Construction & Dimension

	Item	Specification
Conductor	Size	3G 1.0mm <sup>2</sup>
	Material	Annealed Bare Copper
	Construction	32/ § 0.202±0.005
Insulation	Material	TPE
	Minimum Average Thickness	0.60mm
	Minimum Thickness at any point	0.48mm
	Diameter	2.50 ± 0.10
	Identification	Blue,Brown,Yellow/Green
Core Assembly	Core Twist	3-Core
	Filler	NA
	Assembly Pair	NA
Taping	Mylar Foil	NA
Shielded	A1-Mylar Foil	NA
Drain	Material	NA
	Construction	NA
Jacket	Material	TPE
	Minimum Average Thickness	0.8mm
	Minimum Thickness at any point	0.58mm
	Overall Diameter(Approx)	7.0± 0.2
	Color	Any Color

Marking:

YUNG LI H05Z1Z1-F 3G 1.0mm<sup>2</sup> ◁ VDE ▷ CE LSZH + HFFR

# YUNG LI CO., LTD

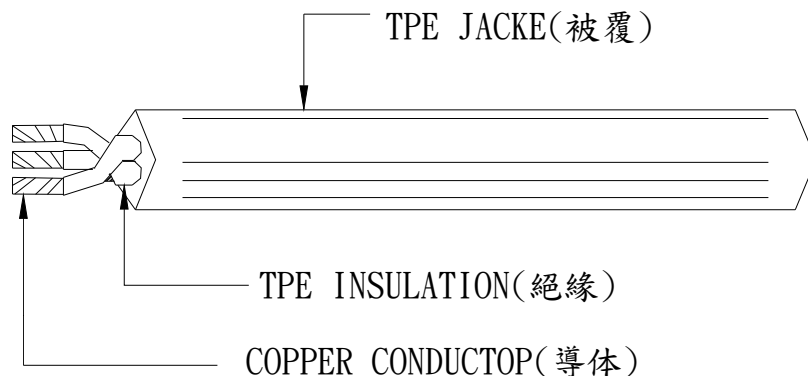
## SPECIFICATION

Yung Li	Style	TPE FLEXIBLE CORDS	Document No
2016.04.13			
Edition	Size	<b>H05Z1Z1-F 3G 1.0mm<sup>2</sup></b>	Page
A			2/2

### 4. Electrical & Physical Properties

Item	Specification		
Rating Voltage	300/500V		
Maximum Temperature Rating	70°C		
Conductor resistance(AT 20°C)	19.5Ω/Km MAX		
Insulation Resistance(AT 70°C)	0.010MΩ · Km Min		
Dielectric Strength	AC 2.0 KV / 15 min No Break		
Spark Test	5.0KV		
Insulation	Unaged	Tensile Strength	0.75 kgf/mm <sup>2</sup> min
		Elongation	150% Min
	Aged	Tensile Strength	80~120% (80°C x 168hrs)
		Elongation	80~120% (80°C x 168hrs)
	Loss of mass Test		2.0mg/cm <sup>2</sup> (max)
Jacket	Unaged	Tensile Strength	0.75 kgf/mm <sup>2</sup> min
		Elongation	150% Min
	Aged	Tensile Strength	80~120% (80°C x 168hrs)
		Elongation	80~120% (80°C x 168hrs)
	Loss of mass Test		2.0mg/cm <sup>2</sup> (max)
Deformation Test		70±4°C X 1hr ≤ 50%	
Cold Bend Test		-15°C x 4hr No Crack	
Heat Shock Test		150±2°C x 1hr No Crack	

Graph:



# KINGDOM OF SAUDI ARABIA

## Conformity Assessment Programme

## Statement for Registration

CAP ref. No. : **KSA R-304886 /10**

### Revision

Issued to: Yung Li Co., Ltd.  
Da Pu Industrial Zone, Gang ZiChang Ping  
Town  
Dongguan 523571  
Guangdong  
China

Product: II-35 Mains Plugs, Socket Outlets and Adapters

Brand Name: YUNG LI

Model/Type: See appendix ( 1 page)

Applicable standards/references: SASO 2203:2015

Additional Information: Subscription on 18 November 2017



Issued by:  
Intertek Hong Kong Office

A handwritten signature in blue ink, appearing to be "Derek Leung", is written above a horizontal line.

Derek Leung  
Intertek CO/RLC Manager

This Statement for Registration is for the exclusive use of Intertek's Client and is provided pursuant to the agreement between Intertek and its Client. Intertek's responsibility and liability are limited to the terms and conditions of the agreement. Intertek assumes no liability to any party, other than to the Client in accordance with the agreement, for any loss, expense or damage occasioned by the use of this Statement for Registration. Only the Client is authorized to permit copying or distribution of this Statement for Registration and then only in its entirety. Any use of the Intertek name of the sale or advertisement of the tested material, product or service must first be approved in writing by Intertek.

**Appendix to Statement for Registration**

**CAP Ref. No. :** KSA R-304886 /10

**Issued:** 31 October 2016

**Product:** II-35 Mains Plugs, Socket Outlets and Adapters

<b><u>Model/Type</u></b>	<b><u>Information</u></b>	<b><u>Standards</u></b>	<b><u>Review Date if Verified</u></b>
1. YP-61	FUSED PLUG, NON- REWIRABLE 250V 13A	SASO2203	18/10/2017

Subscription on 18 November 2017





# ASTA Licence



**Intertek**

The **ASTA Diamond Mark** is a symbol of electrical safety. It provides evidence for customers and authorities that Intertek has independently tested and certified the product's compliance to applicable safety standards, also that Intertek monitors production and testing to ensure subsequent production continues to comply with stated standards.

This Licence is valid until the review date or earlier if preceded by the withdrawal of the Approval Standard or otherwise withdrawn by the Certification Body. Current validity status can be confirmed by contacting: Intertek (ASTA office) Centre Court Meridian Business Park Leicester LE19 1WD United Kingdom Tel: +44 (0)116 263 0330 asta@intertek.com

Details of Approved variants, components and sites are given on Endorsements to this Licence (3 pages)



010

This Licence authorises use of the  
**ASTA Diamond Mark**  
Licence No. 839

**Organisation:**  
**Yung-Li Company Limited**  
1F, No. 10, Lane 235, Pao Chiang Road, Hsin Tien 231, Taipei, Taiwan, R.O.C.

<b>Product:</b>	<b>Fused Plug</b>
<b>Designation:</b>	<b>YP-61</b>
<b>Colour(s):</b>	<b>Black, White &amp; Grey</b>
<b>250 Volts a.c. 50 Hz</b>	<b>13 Amperes</b>
<b>Non-rewirable</b>	<b>Rough use (BS1363/A)</b>
<b>Solid brass pins</b>	<b>Solid moulded-on construction</b>
<b>Approval Standard:</b>	<b>BS 1363-1: 1995 + A4: 2012</b>
	<b>Incorporating Corrigendum No. 1</b>

<b>Issue number:</b>	<b>6</b>
<b>Review date:</b>	<b>30<sup>th</sup> November 2019</b>
<b>Factory Reference:</b>	<b>LQ-494</b>

C P Stephens

Name

Signature

26<sup>th</sup> May 2016

Date

## **ASTA Certificates, ASTA Licences and ASTA Test Reports**

ASTA Certificates, ASTA Licences and ASTA Test Reports are issued by Intertek for the exclusive use of the party applying for the Certificate, Licence or Test Report and any related testing. Intertek assumes no liability to any parties other than those with which it has an agreement and then only in accordance with the agreed Terms and Conditions.

The Applicant is authorised to copy or distribute ASTA Certificates, ASTA Licences and ASTA Test Reports provided the entire contents are included, or Certificate Front Sheets accompanied by any associated pages on which are stated the assigned rated characteristics and no part is obscured or illegible, or Licence front sheets. Permission must be obtained from Intertek before any other kind of reproduction is made.

The holder of an ASTA Certificate may claim in Trade Journals, Catalogues, Technical Articles etc., and without the prior approval of Intertek that the product identified in an ASTA Certificate is ASTA Certified.

The holder of an ASTA Licence may claim in Trade Journals, Catalogues, Technical Articles etc., and without the prior approval of Intertek that the product identified in an ASTA Licence is ASTA Approved.

To minimise the possibility of any misunderstanding such claims must clearly identify the product(s) certified or approved, the ratings verified by ASTA and the Standard against which certification/approval has been made.

Any other use of the Intertek or ASTA names must first be approved in writing by Intertek. Test results and ratings proven by testing included in ASTA Certificates and ASTA Test Reports relate specifically to the sample(s) tested.

## **Types of ASTA Certificates**

Certificates are issued when samples of a particular product design have been tested satisfactorily against the requirements of a National, European, International or ASTA Standard. Several forms of Certificate are available, including:

### **Certificate of Complete Compliance**

Verifies compliance with all the requirements of a Standard

### **Certificate of Type/Verification Tests**

Verifies complete series of type/verification tests prescribed in a Standard has been made successfully.

### **Certificate of Selected Type/Verification Tests**

Verifies specified type/verification tests have been made successfully

### **Supplementary Certificate**

Extends the scope of an existing Certificate to cover changes in rating or in design

## **ASTA Test Report**

An ASTA Test Report is issued when tests otherwise satisfactory cannot be included in a Certificate for one or more reasons, e.g. verification of non-standard ratings

## **ASTA Licences and ASTA Diamond Mark**

The use of the ASTA Diamond Mark on products is authorised by an ASTA Licence. Products covered by an ASTA Licence can be referred to as ASTA Approved. Requirements for ASTA Licences include testing for full compliance with relevant standards and satisfactory, on-going assessment of production. Validity and use of ASTA Licences are subject to compliance with Intertek ASTA & BEAB Marks Certification Regulations.

## **Authenticity**

Authenticity of any ASTA document can be confirmed by contacting the Intertek office detailed on the front of this Licence

## **Approved sites for manufacture/production:**

Components & Assembly – Yung Li Company Limited  
Da Pu Industrial Zone  
Chang Ping Town  
Dongguan City  
Guangdong Province  
China

## **Conditions for maintenance of Licence:**

- 1) Compliance with Certification Regulations.
- 2) Inspection of manufacturing facilities each year with satisfactory outcome.
- 3) Surveillance testing of production samples at required intervals with satisfactory outcome.
- 4) Satisfactory actions in the event of any compliance and/or safety issues becoming known after product has been supplied.
- 5) Prompt payment of invoices.

## **Licence Renewal:**

Licence fee will be invoiced annually during the month of September.

The Licence document will be reissued following any changes advised or variants tested. A fee may be charged for reissue.

## **Surveillance samples:**

Samples are required to be tested in accordance with Intertek surveillance testing programmes.

Samples should preferably be selected during scheduled Factory inspection visits.

The fee for testing will be invoiced at the time of testing. A summary of testing will be provided.

## **Use of the ASTA Mark:**

The ASTA Mark may be used on the product and in marketing material relating to the product, as permitted by the Certification Regulations.

The Licence number should be marked on the product (mandatory on BS 1363 plugs, where feasible on other products) in a form agreed by Intertek, such as "Approved by ASTA Licence no. 839".

## **Marketing of product with alternative designation(s) or brand name(s):**

This Licence relates only to products specifically described herein. Any alternative designations and/or brand names should be advised to Intertek. The Licence will then be reissued accordingly. Alternative brand names (if applicable) are shown on an Annex to this Licence.

**Compliance Testing:**

Reason for test	ASTA reference/certificate
Complete compliance	16271
Modification – alternative cord	S16672
Modification – alternative cords + upgrade to Amendment No. 3 of BS 1363-1	S17558
Modification – alternative cords	S18995
Compliance with BS 1363-1: 1995 + A4: 2012	S20023
Modification – alternative cords	20622

**Approved components and cords:**
**Fuse Links:**

The Plugs must be fitted with ASTA Approved BS 1362: 1973 fuse-links having a rating appropriate to the cord fitted in accordance with Table 2 of BS 1363-1: 1995 + A4: 2012.

**Flexible cords:**

Maximum plug Rating	Cores		Code/type	Cable Manufacturer	ASTA Certificate	Remarks
	No	CSA mm <sup>2</sup>				
Amperes						
6	2	0.75	H03V2V2H2-F	Yung-Li	S18995	
6	2	0.75	H03V2V2-F	Yung-Li	S18995	
6	2	0.75	H05V2V2H2-F	Yung-Li	S18995	
6	2	0.75	H05V2V2-F	Yung-Li	S18995	
10	2	1.00	H05V2V2H2-F	Yung-Li	S18995	
10	2	1.00	H05V2V2-F	Yung-Li	S18995	
10	2	0.75	H03VVH2-F	Yung-Li	16271	
10	2	0.75	H05VVH2-F	Yung-Li	16271	
10	2	1.00	H05VVH2-F	Yung-Li	S16672	
10	2	0.75	H05VV-F	Yung-Li	16271	
10	2	1.00	H05VV-F	Yung-Li	16271	
6	3	0.75	H03V2V2-F	Yung-Li	S18995	
6	3	0.75	H05V2V2-F	Yung-Li	S18995	
10	3	1.00	H05V2V2-F	Yung-Li	S18995	
10	3	0.75	H05VV-F	Yung-Li	16271	
10	3	1.00	H05VV-F	Yung-Li	16271	
13	3	1.50	H05V2V2-F	Yung-Li	S18995	
13	3	1.50	H05VV-F	Yung-Li	16271	
10	2	0.75	H03Z1Z1H2-F	Yung-Li	S20622	
10	2	0.75	H05Z1Z1H2-F	Yung-Li	S20622	
10	2	1.00	H05Z1Z1H2-F	Yung-Li	S20622	
10	2	0.75	H05Z1Z1-F	Yung-Li	S20622	
10	2	1.00	H05Z1Z1-F	Yung-Li	S20622	
10	3	0.75	H05Z1Z1-F	Yung-Li	S20622	
10	3	1.00	H05Z1Z1-F	Yung-Li	S20622	
13	3	1.50	H05Z1Z1-F	Yung-Li	S20622	

**Flexible cords:**

Maximum plug Rating	Cores		Code/type	Cable Manufacturer	ASTA Certificate	Remarks
	Amperes	No				
6	2	0.75	H05RR-F	Wonderful Yong Tai	S17558	
6	3	0.75	H05RR-F	Wonderful Yong Tai	S17558	
10	2	1.00	H05RR-F	Wonderful Yong Tai	S17558	
10	3	1.00	H05RR-F	Wonderful Yong Tai	S17558	
13	3	1.50	H05RR-F	Wonderful Yong Tai	S17558	
6	2	0.75	H05RN-F	Wonderful Yong Tai	S17558	
6	3	0.75	H05RN-F	Wonderful Yong Tai	S17558	
10	2	1.00	H05RN-F	Wonderful Yong Tai	S17558	
10	3	1.00	H05RN-F	Wonderful Yong Tai	S17558	

**Plug insert:**

Insert type	Supplier
Manufacturers own	Yung Li



PSB Singapore

THE SINGAPORE CONSUMER PROTECTION  
(SAFETY REQUIREMENTS) REGISTRATION SCHEME

## CERTIFICATE OF CONFORMITY (COC)

TO: GLD (RS Code)  
Ms Tan Lee Tuan  
Gold Technology Services  
Blk 75 Tampines Avenue 1  
#13-08  
Singapore 529781

Date of Certification : 11 November 2014

Date of Re-certification : 08 September 2017

Date of Expiry : 10 November 2020

Certificate Number : 141509-11

Dear Sir/Madam,

We certify that the following controlled goods complied with the Mandatory Requirements of the Singapore Consumer Protection (Safety Requirements) Registration Scheme:

Description of controlled goods: 3 – Pin Non-Rewirable Plug

Trade Name: YUNG LI

Model Number: YP-61

Country where controlled goods:  
are likely to be manufactured: China

Test report number: 55S052586/MLM/PKS

Testing laboratory: PSB Corporation Pte Ltd

Tested according to: SS 145 : Part 1 : 1997

David Sim

TÜV SÜD PSB

**Important Notice:**

No controlled goods can be supplied in Singapore unless they are registered with the Safety Authority. Please access [www.spring.gov.sg/safety](http://www.spring.gov.sg/safety) for registration procedure.





香港認證中心

The Hong Kong Certification Centre Ltd

## HONG KONG SAFETY MARK LICENSE

License Number : L00244A

Date of Issue : 2017-07-01

**Issued To:** Yung Li Co. Ltd.  
1<sup>st</sup> Floor, No. 10 Lane 235  
Pao-chiao Road, Sin-Tien City  
231 Taipei, Taiwan

**Manufacturer:** Yung Li Co. Ltd.,  
Da Pu Industrial Zone, Gangzi  
Chang Ping Town, Dongguan  
City, Guangdong, China

**This is to certify that the products listed below are eligible to bear the Hong Kong Safety Mark subject to compliance of annual surveillance of factory inspection.**

Issued By : Richard Fung  
Managing Director



For and on behalf of  
The Hong Kong Certification Centre Limited

**Product Category**

Wiring Accessories

**Product Description**

Non-rewirable fused plugs molded on power cord

**Type/Models**

[Brand Name : Yung Li]  
YP-61

**Applicable Standard(s) / Requirements**

BS1363-1:1995 - 13A Plugs, socket-outlets, adaptors and connection units - Part 1.  
+Amd 9541:1997 Specification for rewirable and non-rewirable 13A fused plugs  
+Amd 14539:2003  
+Amd 17435:2007  
+A4:2012

Certification report: L00244-2

*Product certification system is Type 5 as defined in ISO/IEC 17067:2013.  
The use of this License is governed by the Hong Kong Safety Mark Regulations and any other requirement and Regulations accompanying this License when issued, as amended from time to time.*

*This License is the property of The Hong Kong Certification Centre Limited and must be returned upon request.*

Original Certification: 2005-04-29

Expiry: 2020-06-30

HKSM Certification Scheme: CC/SCH/008 Rev 1

Unit B, 10/F., Block 1, Tai Ping Industrial Centre, No. 57 Ting Kok Road, Tai Po, N.T., Hong Kong

香港新界大埔汀角路57號太平工業中心第一座10樓B室

Tel / 電話: (852) 2661 2083

Fax / 傳真: (852) 2661 3181

Email / 電郵: hkcc@hk-cc.hk

Homepage / 網址: www.hk-cc.hk

## ZEICHENGENEHMIGUNG MARKS APPROVAL

Yung-Li Co. Ltd.  
Da Pu Industrial Zone, Cang Zi  
Chang Ping Town  
523571 DONG GUAN CITY  
Guangdong  
CHINA

ist berechtigt, für ihr Produkt /  
*is authorized to use for their product*

**Gerätesteckdose, nicht-wiederanschließbar**  
**Connector, non-rewirable**

die hier abgebildeten markenrechtlich geschützten Zeichen  
für die ab Blatt 2 aufgeführten Typen zu benutzen /  
*the legally protected Marks as shown below for the types referred to on page 2 ff.*



Geprüft und zertifiziert nach /  
*Tested and certified according to*

DIN EN 60320-1 (VDE 0625-1):2016-04; EN 60320-1:2015+AC:2016  
DIN EN 60320-3 (VDE 0625-3):2015-11; EN 60320-3:2014  
IEC 60320-1:2015  
IEC 60320-3:2014



Aktenzeichen: 1609800-1550-0024 / 220423

File ref.:

Ausweis-Nr. 40045842

Blatt 1

Certificate No.

Page

Weitere Bedingungen siehe Rückseite und Folgeblätter /  
*further conditions see overleaf and following pages*

Offenbach, 2017-02-14

VDE Prüf- und Zertifizierungsinstitut GmbH  
VDE Testing and Certification Institute  
Zertifizierungsstelle / Certification

M. Tasotti

VDE Zertifikate sind nur gültig bei Veröffentlichung unter:  
*VDE certificates are valid only when published on:*

<http://www.vde.com/zertifikat>  
<http://www.vde.com/certificate>



Name und Sitz des Genehmigungs-Inhabers / *Name and registered seat of the Certificate holder*

Yung-Li Co. Ltd., Da Pu Industrial Zone, Cang Zi, Chang Ping Town, 523571 DONG GUAN CITY, Guangdong, CHINA

Aktenzeichen / *File ref.*

1609800-1550-0024 / 220423 / CC1 / E

Datum / *Date*

2017-02-14

Dieses Blatt gilt nur in Verbindung mit Blatt 1 des Zeichengenehmigungsausweises Nr. 40045842.

*This supplement is only valid in conjunction with page 1 of the Certificate No. 40045842.*

## Gerätesteckdose, nicht-wiederanschließbar *Connector, non-rewirable*

Typ(en) / *Type(s)*

- 1) **YC-12Z**
- 2) **YC-12LZ**

Bemessungsspannung  
*Rated voltage*

AC 250 V

Bemessungsstrom  
*Rated current*

10 A

Polzahl  
*Number of poles*

2-polig mit Schutzkontakt  
*2-pole with earthing contact*

Bauart  
*Kind of construction*

Normblatt C13  
*standard sheet C13*

Ausführung(en)  
*Construction(s)*

zentrale Leitungseinführung  
*straight cable entry*  
Für / for 1)

abgewinkelte Leitungseinführung  
*angled cable entry*  
Für / for 2)

Warenzeicheninhaber  
*Trademark holder*

Yung-Li Co., Ltd.

Fortsetzung siehe Blatt 3 /  
*continued on page 3*

# VDE Prüf- und Zertifizierungsinstitut Zeichengenehmigung

Ausweis-Nr. / Blatt /  
Certificate No. / Page  
40045842 / 3

Name und Sitz des Genehmigungs-Inhabers / *Name and registered seat of the Certificate holder*

Yung-Li Co. Ltd., Da Pu Industrial Zone, Cang Zi, Chang Ping Town, 523571 DONG GUAN CITY, Guangdong, CHINA

Aktenzeichen / *File ref.*

1609800-1550-0024 / 220423 / CC1 / E

Datum / *Date*

2017-02-14

Dieses Blatt gilt nur in Verbindung mit Blatt 1 des Zeichengenehmigungsausweises Nr. 40045842.

*This supplement is only valid in conjunction with page 1 of the Certificate No. 40045842.*

Produktinformation  
*Product information*

siehe Anlage Nr. 300 + 700 + 900 vom 2017-02-14  
*see Appendix No. 300 + 700 + 900 dated 2017-02-14*

Dieser Zeichengenehmigungs-Ausweis bildet eine Grundlage für die EG-Konformitätserklärung und CE-Kennzeichnung durch den Hersteller oder dessen Bevollmächtigten und bescheinigt die Konformität mit den grundlegenden Schutzanforderungen der **EG-Niederspannungsrichtlinie 2014/35/EU**.

*This Marks Approval is a basis for the EC Declaration of Conformity and the CE Marking by the manufacturer or his agent and proves the conformity with the essential safety requirements of the **EC Low-Voltage Directive 2014/35/EU**.*

VDE Prüf- und Zertifizierungsinstitut GmbH  
*VDE Testing and Certification Institute*  
Fachgebiet CC1  
*Section CC1*

# VDE Prüf- und Zertifizierungsinstitut Zeichengenehmigung

Ausweis-Nr. / Beiblatt /  
Certificate No. Supplement  
40045842

Name und Sitz des Genehmigungs-Inhabers / *Name and registered seat of the Certificate holder*

Yung-Li Co. Ltd., Da Pu Industrial Zone, Cang Zi, Chang Ping Town, 523571 DONG GUAN CITY, Guangdong, CHINA

Aktenzeichen / *File ref.*

1609800-1550-0024 / 220423 / CC1 / E

Datum / *Date*

2017-02-14

Dieses Beiblatt ist Bestandteil des Zeichengenehmigungsausweises Nr. 40045842.

*This supplement is part of the Certificate No. 40045842.*

## Gerätesteckdose, nicht-wiederanschließbar *Connector, non-rewirable*

### Fertigungsstätte(n)

*Place(s) of manufacture*

Referenz/*Reference*  
**30008928**

Yung-Li Co. Ltd.  
Da Pu Industrial Zone, Cang Zi  
Chang Ping Town  
523571 DONG GUAN CITY  
Guangdong  
CHINA

VDE Prüf- und Zertifizierungsinstitut GmbH  
*VDE Testing and Certification Institute*  
Fachgebiet CC1  
*Section CC1*



Name und Sitz des Genehmigungs-Inhabers / Name and registered seat of the Certificate holder

Yung-Li Co. Ltd., Da Pu Industrial Zone, Cang Zi, Chang Ping Town, 523571 DONG GUAN CITY, Guangdong, CHINA

Aktenzeichen / File ref.

1609800-1550-0024 / 220423 / CC1 / E

Datum / Date

2017-02-14

Dieses Blatt gilt nur in Verbindung mit Blatt 1 des Zeichengenehmigungsausweises Nr. 40045842.

*This supplement is only valid in conjunction with page 1 of the Certificate No. 40045842.*

## **Genehmigung zum Benutzen des auf Seite 1 abgebildeten markenrechtlich geschützten Zeichens des VDE:**

Grundlage für die Benutzung sind die Allgemeinen Geschäftsbedingungen (AGB) der VDE Prüf- und Zertifizierungsinstitut GmbH ([www.vde.com\AGB-Institut](http://www.vde.com\AGB-Institut)). Das Recht zur Benutzung erstreckt sich nur auf die bezeichnete Firma mit den genannten Fertigungsstätten und die oben aufgeführten Produkte mit den zugeordneten Bezeichnungen. Die Fertigungsstätte muss so eingerichtet sein, dass eine gleichmäßige Herstellung der geprüften und zertifizierten Ausführung gewährleistet ist.

Die Genehmigung ist so lange gültig wie die VDE-Bestimmungen gelten, die der Zertifizierung zugrunde gelegen haben, sofern sie nicht auf Grund anderer Bedingungen aus der VDE Prüf- und Zertifizierungsordnung (PM102) zurückgezogen werden muss.

Der Gültigkeitszeitraum einer VDE-GS-Zeichengenehmigung kann auf Antrag verlängert werden. Bei gesetzlichen und / oder normativen Änderungen kann die VDE-GS-Zeichengenehmigung ihre Gültigkeit zu einem früheren als dem angegebenen Datum verlieren.

Produkte, die das Biozid Dimethylfumarat (DMF) enthalten, dürfen gemäß der Kommissionsentscheidung 2009/251/EG nicht mehr in den Verkehr gebracht oder auf dem Markt bereitgestellt werden.

Der VDE-Zeichengenehmigungsausweis wird ausschließlich auf der ersten Seite unterzeichnet.

### **Approval to use the legally protected Mark of the VDE as shown on the first page:**

*Basis for the use are the general terms and conditions of the VDE Testing and Certification Institute ([www.vde.com\terms-institute](http://www.vde.com\terms-institute)). The right to use the mark is granted only to the mentioned company with the named places of manufacture and the listed products with the related type references. The place of manufacture shall be equipped in a way that a constant manufacturing of the certified construction is assured.*

*The approval is valid as long as the VDE specifications are in force, on which the certification is based on, unless it is withdrawn according to the VDE Testing and Certification Procedure (PM102E).*

*The validity period of a VDE-GS-Mark Approval may be prolonged on request. In case of changes in legal and / or normative requirements, the validity period of a VDE-GS-Mark Approval may be shortened.*

*Products containing the biocide dimethylfumarate (DMF) may not be marketed or made available on the EC market according to the Commission Decision 2009/251/EC.*

*The approval is solely signed on the first page.*

## ZEICHENGENEHMIGUNG MARKS APPROVAL

Yung-Li Co. Ltd.  
Da Pu Industrial Zone, Cang Zi  
Chang Ping Town  
523571 DONG GUAN CITY  
Guangdong  
CHINA

ist berechtigt, für ihr Produkt /  
*is authorized to use for their product*

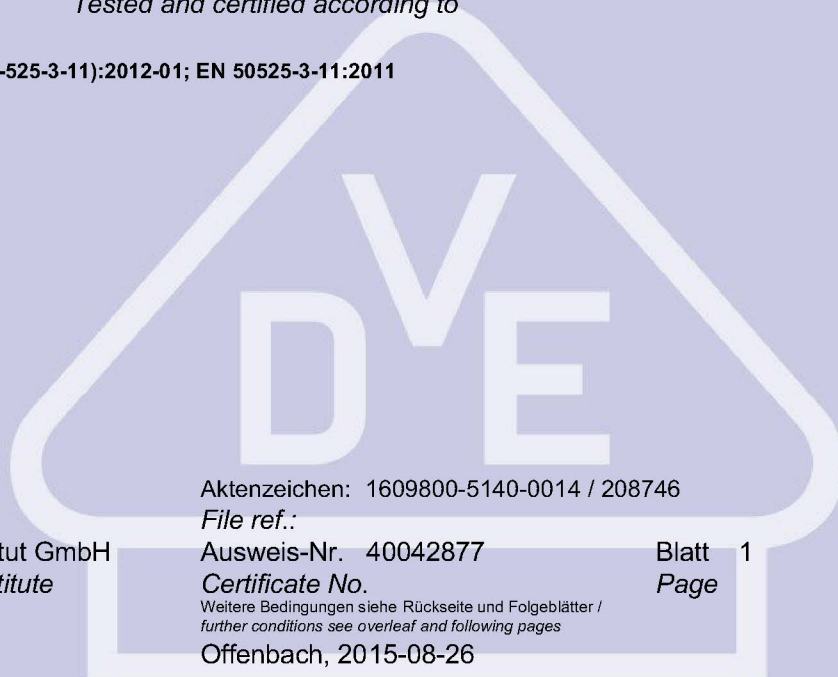
**Starkstromleitungen mit verbessertem Verhalten im Brandfall-Flexible  
halogenfreie,raucharme Leitungen mit thermoplast. Isolierung**  
***Cables with special fire performance - Flexible cables with  
halogen-free thermoplastic insulation and low emission of smoke***

die hier abgebildeten markenrechtlich geschützten Zeichen  
für die ab Blatt 2 aufgeführten Typen zu benutzen /  
*the legally protected Marks as shown below for the types referred to on page 2 ff.*

◁VDE▷ oder/or ◁▷⊠▷ oder/or  schwarz rot  
black red

Geprüft und zertifiziert nach /  
*Tested and certified according to*

DIN EN 50525-3-11 (VDE 0285-525-3-11):2012-01; EN 50525-3-11:2011



Aktenzeichen: 1609800-5140-0014 / 208746

File ref.:

Ausweis-Nr. 40042877

Blatt 1

Certificate No.

Page

Weitere Bedingungen siehe Rückseite und Folgeblätter /  
*further conditions see overleaf and following pages*

Offenbach, 2015-08-26

VDE Prüf- und Zertifizierungsinstitut GmbH  
VDE Testing and Certification Institute  
Zertifizierungsstelle / Certification



VDE Zertifikate sind nur gültig bei Veröffentlichung unter:  
VDE certificates are valid only when published on:

<http://www.vde.com/zertifikat>  
<http://www.vde.com/certificate>

Name und Sitz des Genehmigungs-Inhabers / Name and registered seat of the Certificate holder

Yung-Li Co. Ltd., Da Pu Industrial Zone, Cang Zi, Chang Ping Town, 523571 DONG GUAN CITY, Guangdong, CHINA

Aktenzeichen / File ref.

1609800-5140-0014 / 208746 / CC5 / HEG

Datum / Date

2015-08-26

Dieses Blatt gilt nur in Verbindung mit Blatt 1 des Zeichengenehmigungsausweises Nr. 40042877.

*This supplement is only valid in conjunction with page 1 of the Certificate No. 40042877.*

## Starkstromleitungen mit verbessertem Verhalten im Brandfall-Flexible halogenfreie,raucharme Leitungen mit thermoplast. Isolierung *Cables with special fire performance - Flexible cables with halogen-free thermoplastic insulation and low emission of smoke*

Typ(en) / Type(s)

H03Z1Z1H2-F 2 x 0,5...0,75 mm<sup>2</sup> +

H05Z1Z1-F 2...5 x 0,75...4,0 mm<sup>2</sup> +

H05Z1Z1H2-F 2 x 0,75...1,0 mm<sup>2</sup> +

Leitungsbauart  
Type of cable

Standardleitungen  
General purpose cables

Firmenzeichen  
Trademark

YUNG LI

Dieser Zeichengenehmigungs-Ausweis bildet eine Grundlage für die EG-Konformitätserklärung und CE-Kennzeichnung durch den Hersteller oder dessen Bevollmächtigten und bescheinigt die Konformität mit den grundlegenden Schutzanforderungen der **EG-Niederspannungsrichtlinie (2006/95/EG bis 19.04.2016, 2014/35/EU ab 20.04.2016)**.

*This Marks Approval is a basis for the EC Declaration of Conformity and the CE Marking by the manufacturer or his agent and proves the conformity with the essential safety requirements of the **EC Low-Voltage Directive (2006/95/EC until 2016-04-19, 2014/35/EU from 2016-04-20)**.*

VDE Prüf- und Zertifizierungsinstitut GmbH  
VDE Testing and Certification Institute  
Fachgebiet CC5  
Section CC5

# VDE Prüf- und Zertifizierungsinstitut Zeichengenehmigung

Ausweis-Nr. / Beiblatt /  
Certificate No. Supplement  
40042877

Name und Sitz des Genehmigungs-Inhabers / *Name and registered seat of the Certificate holder*

Yung-Li Co. Ltd., Da Pu Industrial Zone, Cang Zi, Chang Ping Town, 523571 DONG GUAN CITY, Guangdong, CHINA

Aktenzeichen / *File ref.*

1609800-5140-0014 / 208746 / CC5 / HEG

Datum / *Date*

2015-08-26

Dieses Beiblatt ist Bestandteil des Zeichengenehmigungsausweises Nr. 40042877.

*This supplement is part of the Certificate No. 40042877.*

## **Starkstromleitungen mit verbessertem Verhalten im Brandfall-Flexible halogenfreie,raucharme Leitungen mit thermoplast. Isolierung *Cables with special fire performance - Flexible cables with halogen-free thermoplastic insulation and low emission of smoke***

**Fertigungsstätte(n)**

***Place(s) of manufacture***

Referenz/*Reference*  
**30008928**

Yung-Li Co. Ltd.  
Da Pu Industrial Zone, Cang Zi  
Chang Ping Town  
523571 DONG GUAN CITY  
Guangdong  
CHINA

VDE Prüf- und Zertifizierungsinstitut GmbH  
*VDE Testing and Certification Institute*  
Fachgebiet CC5  
*Section CC5*

# VDE Prüf- und Zertifizierungsinstitut Zeichengenehmigung

Ausweis-Nr. / Infoblatt /  
Certificate No. Info sheet  
40042877

Name und Sitz des Genehmigungs-Inhabers / Name and registered seat of the Certificate holder

Yung-Li Co. Ltd., Da Pu Industrial Zone, Cang Zi, Chang Ping Town, 523571 DONG GUAN CITY, Guangdong, CHINA

Aktenzeichen / File ref.

1609800-5140-0014 / 208746 / CC5 / HEG

Datum / Date

2015-08-26

Dieses Blatt gilt nur in Verbindung mit Blatt 1 des Zeichengenehmigungsausweises Nr. 40042877.

*This supplement is only valid in conjunction with page 1 of the Certificate No. 40042877.*

## **Genehmigung zum Benutzen des auf Seite 1 abgebildeten markenrechtlich geschützten Zeichens des VDE:**

Grundlage für die Benutzung sind die Allgemeinen Geschäftsbedingungen (AGB) der VDE Prüf- und Zertifizierungsinstitut GmbH ([www.vde.com\AGB-Institut](http://www.vde.com\AGB-Institut)). Das Recht zur Benutzung erstreckt sich nur auf die bezeichnete Firma mit den genannten Fertigungsstätten und die oben aufgeführten Produkte mit den zugeordneten Bezeichnungen. Die Fertigungsstätte muss so eingerichtet sein, dass eine gleichmäßige Herstellung der geprüften und zertifizierten Ausführung gewährleistet ist.

Die Genehmigung ist so lange gültig wie die VDE-Bestimmungen gelten, die der Zertifizierung zugrunde gelegen haben, sofern sie nicht auf Grund anderer Bedingungen aus der VDE Prüf- und Zertifizierungsordnung (PM102) zurückgezogen werden muss.

Der Gültigkeitszeitraum einer VDE-GS-Zeichengenehmigung kann auf Antrag verlängert werden. Bei gesetzlichen und / oder normativen Änderungen kann die VDE-GS-Zeichengenehmigung ihre Gültigkeit zu einem früheren als dem angegebenen Datum verlieren.

Produkte, die das Biozid Dimethylfumarat (DMF) enthalten, dürfen gemäß der Kommissionsentscheidung 2009/251/EG nicht mehr in den Verkehr gebracht oder auf dem Markt bereitgestellt werden.

Der VDE-Zeichengenehmigungsausweis wird ausschließlich auf der ersten Seite unterzeichnet.

### **Approval to use the legally protected Mark of the VDE as shown on the first page:**

*Basis for the use are the general terms and conditions of the VDE Testing and Certification Institute ([www.vde.com\terms-institute](http://www.vde.com\terms-institute)). The right to use the mark is granted only to the mentioned company with the named places of manufacture and the listed products with the related type references. The place of manufacture shall be equipped in a way that a constant manufacturing of the certified construction is assured.*

*The approval is valid as long as the VDE specifications are in force, on which the certification is based on, unless it is withdrawn according to the VDE Testing and Certification Procedure (PM102E).*

*The validity period of a VDE-GS-Mark Approval may be prolonged on request. In case of changes in legal and / or normative requirements, the validity period of a VDE-GS-Mark Approval may be shortened.*

*Products containing the biocide dimethylfumarate (DMF) may not be marketed or made available on the EC market according to the Commission Decision 2009/251/EC.*

*The approval is solely signed on the first page.*