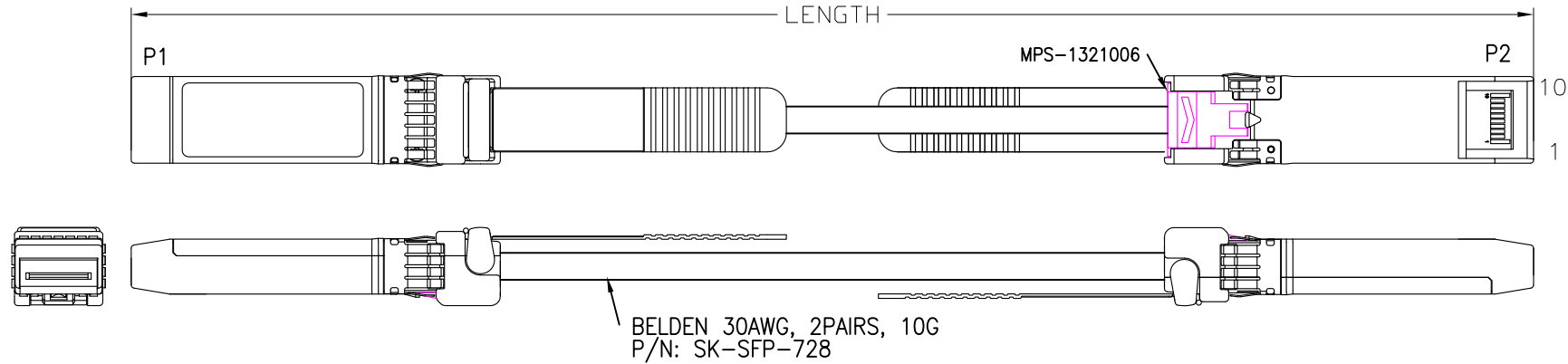


REV.	REMARK	DATE	SIGN.						
------	--------	------	-------	--	--	--	--	--	--

RoHS



MATERIAL RoHS COMPLIANT

1. CABLE:
- CONDUCTOR: 30AWG SILVER PLATED COPPER.
 - 4 CORES: 2 PAIRS
 - INSULATION: POLYOLEFIN, COLOR-NATURAL.
 - DRAIN WIRE: 32AWG TINNED COPPER.
 - AI-MYLAR, OVERLAPPING >=25%
 - HOT-MELT PET COVERAGE >=100%
 - BRAID SHIELD: 38AWG TINNED COPPER COVERAGE >=85%
 - JACKET: PVC
 - OUTER DIAMETER: 4.20±0.20mm
 - MARKING: BELDEN L-Skew 30A1B01-17 E357317-S (UL) TYPE CL2 FT4
 - 30AWG 75°C --- AWM STYLE 20276 AWM I/II A/B 80°C 30V FT1
 - P/N: SK-SFP-728 10G Cable -LF- RoHS COMPLIANT YYYY/MM/DD XXXXXM

2. CONNECTOR:
- P1&P2: SFP+ MODULE
 - <1> HOOD: ZINC DIE CASTING, NICKEL PLATING.
 - <2> LATCH: PC RESIN UL94V, COLOR IN BLACK. (MPS-1321006)
 - <3> P.C.B: 4 LAYERS, GOLD PLATING ON CONTACT PADS.
 - <4> SERIAL ID IC: ATMEL 24C02D OR EQUIVALENT.
 - <5> PULL TAB: NYLON UL94V-0, COLOR: WHITE.

LENGTH	AWG
1000±30	30AWG
2000±50	30AWG
3000±50	30AWG

WIRING CHART			
P1 END		P2 END	
P1 PAD	SIGNAL	P2 PAD	SIGNAL
12	RX-	19	TX-
13	RX+	18	TX+
GROUND		GROUND	
18	TX+	13	RX+
19	TX-	12	RX-
GROUND		GROUND	

UNICONN CORPORATION 科懋實業有限公司	DESC.	SFP+ TO SFP+ PASSIVE CABLE ASS'Y	APPROVED	CHECKED	DESIGNED	TOLERANCE	SCALE	*	UNIT	mm	DWG NO: DWG\B\7223
	P/N	B-7223	CUSTOMER P/N		Sino		DATE	10/12/'20			