



APPROVAL SHEET

RoHS Compliant

Description: Power Supply Cord

Used Model: CEE VII / EN60320

Cat. No.: YP-23 / YC-14



Yung Li Co., Ltd.

1F, No. 10, Lane 235, Pao-Chiao Rd., Hsin-Tien 231, Taipei, Taiwan, ROC.
Tel: 886-2-2913 2805 Fax: 886-2-2912 9373 <http://www.yung-li.com.tw>

SPECIFICATION

1. SCOPE

This specification is applied to POWER SUPPLY CORDS which are in compliance with the standards CEE7 and EN60320

2. CONSTRUCTION

2-1 Plug:

Cat No. YP-23
Rating 10A250V
Standard: CEE7

2-2 Connector:

Cat No. YC-14
Rating 10A250V
Standard: EN60320 standard sheet C5

2-3 Flexible cord

Approved flexible cord Type H05VV-F, 0.75mm², 3G. The detailed construction of the flexible cords are as listed on Table 1.

COPPER CONDUCTOR		PVC INSULATION		PVC JACKET	
Dia./No.	Nominal Area	Minimum Thickness	Average Thickness	Minimum Thickness	Average Thickness
0.18x30	0.75mm ²	0.35mm	0.45mm	0.65mm	0.85mm

TABLE 1

a) Color of Insulation: Brown, Blue, Green/Yellow

b) Color of Jacket: Black White Gray

3. TESTING COMPLIANCE

3-1 Appearance:

There should not be any damages on the surface of the power supply cords.

3-2 Temperature rise:

with the application of a 4A current for one hour, the temperature rise shall not exceed 45°C against room temperature

3-3 Strain relief:

The assembly of the cord to the plug shall be capable of withstanding a straight pull of 30 lbf and should not break at the point where the cord enters the plug.

3-4 Dielectric Voltage – Withstand:

Each power supply cord shall be capable of withstanding the application of the 2500V for one second without breakdown.

3-5 Insulation Resistance

The insulation resistance of the plug between the two blades or between the blade and the surface of insulating material shall not less than 100 megaOhms.

3-6 Force necessary to insert and withdraw

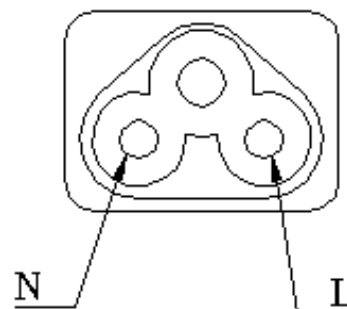
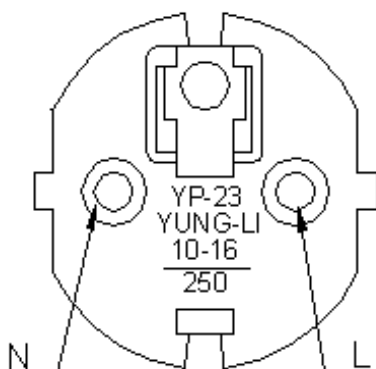
Before testing, 10 times of insertion and withdrawal of the plug shall be completed.

Minimum force -10 N (1 kg) : The connector shall not come out.

Maximum force -50 N (5 kg) : The connector shall come out.

Type of Connector	(N) Withdrawal force	
	Maximum	Minimum
10 A Connector	50	10

4. POSITION OF THE BLADES



SPECIFICATION TABLE

STYLE	H05VV-F	DATE :	
SIZE	0.75mm ² X 3C		
<p>1. STANDARD: IEC 227</p> <p>2. APPROVAL: VDE</p> <p>3. CONSTRUCTION:</p>			
A. CONDUCTOR:			
MATERIAL	SCR BARE COPPER		
SIZE	0.75mm ² x 3c		
CONSTRUCTION	0.2 x 24		
COND. DIAMETER	0.75mm ²		
B. INSULATION			
MATERIAL	P.V.C.		
AVG. THICK	0.55mm MIN		
MIN. THICK	0.45mm MIN		
DIAMETER	2.10mm		
COLOR	ALL COLORS		
C. SHIELD			
ALUMINIUM FOIL MYLAR			
TINNED COPPER BRAID			
D. JACKET			
MATERIAL	P.V.C.		
AVG. THICK	0.85mm MIN		
MIN. THICK	0.65mm MIN		
DIAMETER			
COLOR	<input type="checkbox"/> Black <input type="checkbox"/> White <input type="checkbox"/> Brown <input type="checkbox"/> All		

4. ELECTRICAL & PHYSICAL PROPERTIES :			
ITEM		H05VV-F, 0.75mm ² x 3C	
RATING (TEMP VOLTAGE)		300/ 300 V	
CONDUCTOR RESISTANCE		MAX	
INSULATION RESISTANCE		MIN 5MΩ / 15.8°C	
SPARK TEST		6 kV/ 0.15 Sec. : no breakdown	
INSULATION	UNAGED	TENSILE STRENGTH	MIN. 1500 PSI
		ELONGATION	MIN. 100%
	AGED	TENSILE STRENGTH	MIN. 70%
		ELONGATION	MIN. 65%
JACKET	UNAGED	TENSILE STRENGTH	MIN.
		ELONGATION	MIN
	AGED	TENSILE STRENGTH	MIN
		ELONGATION	MIN
DEFORMATION TEST		MAX 50%	
COLD BEND		-20°C/ 4hr: no breakdown	
HEAT SHOCK TEST		121°C/ 1hr: no crack	
FLAME TEST		VW-1 PASS	
5. IDENTIFICATION :			

Bill Of Materials

Cat No. : YP-23 / YC-14

項次	名稱	數量	供應廠商
1	線材 - Cord H05VV-F 0.75mm ² x 3C	1.8m	I-SHENG Wanta -Dense
2	扁平銅片 Blades	1	建通 GEM
3	母插銅管 Connector Tube	3	建通 GEM
4	母插內套 Connector Housing	1	秀雄 SHIU-HSIUNG
5	PVC 料 45 P Black	60g	GOLDEN BRIDGE
			HUEY-LUNG
6	魔帶 (Tie)	10cm	台特 FONG-KERT

Certificates

LICENCE

No.: 11950

issued to:

Applicant:

Yung Li Co. Ltd.

1F, No. 10, Lane 235, Pau-Chiau Rd

HSIN-TIEN 231, TAIPEI COUNTY, Taiwan

Licensee:

Yung Li Co. Ltd.

1F, No. 10, Lane 235, Pau-Chiau Rd

HSIN-TIEN 231, TAIPEI COUNTY, Taiwan

Product : Two-pole connector for appliances

Trade name(s) : YUNG-LI

Type(s)/model(s) : YC-14

The product and any acceptable variation thereto is specified in the Annex to this licence and the documents therein referred to.

CEBEC Registered Quality hereby declares that the above-mentioned product has been certified on the basis of :

- a type test according to the standard IEC 60320-1:94 + A1:95 + A2:96
- an inspection of the production location according to CCA Group Operational Document CCA 204
- a certification agreement with the number 031

CEBEC Registered Quality hereby grants the right to use the CEBEC certification mark



The CEBEC certification mark may be applied to the product as specified in this licence for the duration of the CEBEC certification agreement and under the conditions of the CEBEC certification agreement.

This licence is issued on: November 22, 2000


Mr. R. Maquestiau,
Managing Director

• Integral publication of this certificate is allowed

Lyskaer 8, Postbox 514

DK-2730 Herlev, Denmark

Phone : +45 44 85 65 65

Fax : +45 44 85 65 00

Telex: 35125 demko dk

Yung Li Co. Ltd.
No. 54, Hua Chung Street
Hsin Tien, Taipei
Taiwan

Examiner: Sven Larsen

Your reference
W.T. Lai

Your letter

Our letter


Our reference
306980

Ext. Herlev
6236 1997-09-04

Approval

DEMKO hereby grants approval of the following equipment:

Product category : **Plug with cord, for Class I equipment, Standard Sheet VII**
Manufacturer : **own**
Name/trademark (if any) : **YUNG-LI**
Model/type ref. : **03) YP 23**
Rated current or wattage : **10/16 A**
Rated voltage : **250 V AC**
Class of insulation : **-**
Additional information : **Cord: 03) H05VV-F 3 x 0.75-1.0 mm²**
Testing Standard/s : **CEE7 with mod. 1, 2, 3 and 4/IEC 884-1**
Approval basis : **Nordic Certification Service**
NEMKO certificate No. P97101915 of 1997-08-21.

DEMKO has found the equipment to be in conformity with the above mentioned standard/s and it may be provided with the registered approval mark .

We draw your attention to the fact that this approval only applies to equipment of exactly the same construction as the approved product type.

If alterations of the equipment are made, including the marking, DEMKO has to be informed about this in writing.

The approval is valid until 2007-08-01.

Costs dealing with this matter will appear from the invoice.

Yours faithfully


Erik Fristrøm, DEMKO A/S

2944/23.7804

A subsidiary of



Underwriters Laboratories Inc. ®

Our Ref. 214242

CERTIFICATE

FI 15534



Product Connector , non-rewirable

Type YC-14, with cord H05VV-F 3G0,75-1

**Certificate Holder/
Manufacturer** Yung Li Co., Ltd.
1F, No. 10, Lane 235, Pao-Chiao Rd.
Hsin-Tien 231 TAIPEI COUNTY
TAIWAN

Technical Information 2,5A, 250~, IP20

Other Information Standard sheet C5, thermoplastic, all colours

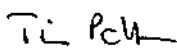
**The product is certified
according to the following
standard(s)** EN 60320-1:1996 + A1:1996 + A2:1998

Validity This certificate is valid up to 31 December 2010 and it includes the right to use the FI mark under the condition that the conditions of the framework contract for testing and certification activities are fulfilled and that changes (if any) will be reported to FIMKO before they have been carried out.

Date of Issue 15 August 2000

FIMKO LTD

Signature


Timo Peltonen
Team Leader

This certificate has 1 appendix

FIMKO 

FIMKO OY, Särkiniementie 3, FIN-00210 Helsinki, Finland
Puhelin (09) 696 361, telekopio (09) 692 5474, telephone int. +358 9 696 361, telefax int. +358 9 692 5474

PID:

02115100

CID:

C.1996.5269

Certificato di approvazione

Approval certificate

IMQ, ente di certificazione accreditato, autorizza la ditta *IMQ, accredited certification body, grants to*

**YUNG LI CO, LTD
1F, NO.10, LANE 253, PAO-CHIAU RD., HSIN-TIEN 231
TAIPEI HSIEN
TW - Taiwan**

all'uso del marchio

the licence to use the mark

IMQ

Il presente certificato è soggetto alle condizioni previste nel "Regolamento IMQ - Certificazione prodotto" ed è relativo ai prodotti descritti nell'Allegato al presente certificato.



per i seguenti prodotti

for the following products

**Prese di connettore
indissolubilmente collegate al
cavo
(Art. YC-14)**

*Non-rewirable connectors
(Art. YC-14)*

This certificate is subjected to the conditions foreseen by "IMQ Rules - Product Certification" and is relevant to the products listed in the annex to this certificate.

Emesso il / Issued on:

2001-02-22

Data di aggiornamento / Updated on

Sostituisce / Replaces

Massimo Raulain

IMQ S.p.A.



CERTIFICATE

KEMA No.: 2006164.01

Issued to:
Applicant:
Yung Li Co. Ltd.
1F, No. 10, Lane 235, Pau-Chiau Rd
HSIN-TIEN 231, TAIPEI COUNTY, Taiwan

Manufacturer/Licensee:
Yung Li Co. Ltd.
1F, No. 10, Lane 235, Pau-Chiau Rd
HSIN-TIEN 231, TAIPEI COUNTY, Taiwan

Product : appliance connectors; (2-pole)

Trade name : YUNG LI
Type/model : YC-14

The product and any acceptable variation thereto is specified in the Annex to this certificate and the documents therein referred to.

KEMA hereby declares that the above-mentioned product has been certified on the basis of:

- a type test according to the standard IEC 60320-1
- an inspection of the production location according to CCA Group Operational Document CCA 204
- a certification agreement with the number 958361

KEMA hereby grants the right to use the KEMA certification mark



The KEMA KEUR certification mark may be applied to the product as specified in this certificate for the duration of the KEMA KEUR certification agreement and under the conditions of the KEMA-KEUR certification agreement.

This certificate is issued on: October 5, 2000

C.M. Boschloo
Certification Manager

Integral publication of this certificate is allowed





MARQUE NATIONALE DE CONFORMITE

NATIONAL MARK OF CONFORMITY



LICENCE

RGr/CCa/CGn

Dossier N° 25296010
File N°

Produit : CONNECTEUR POUR L'ALIMENTATION DES APPAREILS DE LA CLASSE I
Product :

Essayé à la demande de : YUNG-LI Co. Ltd. - 1F, n°10, Lane 235, Pao-Chiau Rd. - Hsien Tien 231
Tested by request of : TAIPEI COUNTY - TAIWAN R.OC.

Fabriqué à : YUNG-LI Co. Ltd. - 1F, n°10, Lane 235, Pao-Chiau Rd. - Hsien Tien 231 (1313)
Manufactured at : TAIPEI COUNTY - TAIWAN R.OC.

Caractéristiques nominales et principales : 2,5A - 250 V - Bipolaire + Terre
Rating and principal characteristics :

Marque de fabrique (s'il y a lieu) : YUNG LI
Trade mark (if any) :

Modèle/Type Réf. : YC-14
Model/Type Ref. :

Information complémentaire (s'il y a lieu) : Pour conditions froides - thermoplastique - non-démontable
Additional information (if any) : équipé de câbles : H05VV-F 3G0,75mm² et H05VV-F 3G1mm² - toutes couleurs

Ce produit a été essayé et trouvé conforme à : NF EN 60320-1(94) +A1(95) +A2(96) - par procédure OC
This product has been tested and found to be in conformity with :

Comme le montre le rapport d'essai (Référence n° CB OC NO 9639 - TR n°200027122)
As shown in the test report (Reference N°

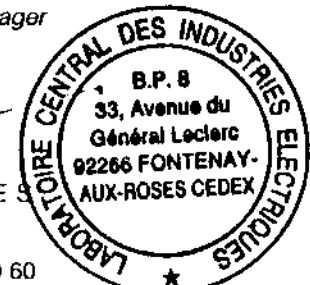
Cette licence, établie par le LABORATOIRE CENTRAL DES INDUSTRIES ELECTRIQUES, par délégation de l'AFNOR, sur la base des essais effectués sur ce produit, autorise l'usage de la Marque NF de conformité aux normes françaises concernant ce matériel dans les conditions du Règlement de la Marque NF, qui garantit cette conformité par le contrôle de la totalité de la fabrication.

This licence, established by LABORATOIRE CENTRAL DES INDUSTRIES ELECTRIQUES, by delegation of AFNOR, in accordance with the tests carried out on this product, permits the use of the Mark NF of conformity with the French specific standards in compliance with the Rules of the NF Mark, which guarantee the conformity by checking the whole production.

Fontenay-aux-Roses, le 5 octobre 2000

Le responsable de la certification
The certification manager

Isabelle HELLER



LABORATOIRE CENTRAL DES INDUSTRIES ELECTRIQUES

Société anonyme à Directoire et Conseil de surveillance au capital de 103 592 000 Francs - RCS Nanterre B 408 363 174

Siège social : 33, avenue du Général Leclerc - F 92260 Fontenay-aux-Roses - Tél. : + 33 (0)1 40 95 60 60



No. P98100460

Order No. **199745141**

Applicant Yung Li Co., Ltd.
No. 54, Hua Chung Street
Hsin Tien, Taipei
TAIWAN R.O.C.

Manufacturer Yung Li Co., Ltd.
No. 54, Hua Chung Street
Hsin Tien, Taipei
TAIWAN R.O.C.

Factory Yung Li Co., Ltd.
No. 54, Hua Chung Street
Hsin Tien, Taipei
TAIWAN R.O.C.

Group 03 63000 Connector for Class I equipment. Standard Sheet C5

Model/type YC-14

Data 2,5A 250V AC


Other specification Thermoplastic with H05VV-F 3G0,75-1mm², all colours

The above product is certified according to the flwg. standard(s) Safety std.: NEK-EN 60320-1:96 +A1:96

Validity The certificate is valid until 1 March 2008, provided that all signed certification conditions are complied with, and that possible changes to the product are notified to Nemko for acceptance prior to implementation. The validity time may be reduced in case new standards are made applicable. The certificate also applies as licence for use of Nemko's name and certification mark.

Remarks Confer the attached covering letter.

Date of issue 11 March 1998


signature
Ragnar Køltzow
Head of section


signature
Nils Flattum

Manufacturer:

YUNG LI CO. LTD.
1F., No. 10, Lane 235, Pao-Chiao Rd., Hsin-Tien 231
TW-Taipei County, Taiwan

Factory location(s):

YUNG LI CO. LTD.
1F., No. 10, Lane 235, Pao-Chiao Rd., Hsin-Tien 231
TW-Taipei County, Taiwan

Tested and certified according to:

ÖVE EN 60320-1:1996-06
ÖVE EN 60320-1/A1:1996-11
ÖVE EN 60320-1/A2:1998-06

This certificate is the basis for the EC Declaration of Conformity and the CE Marking by the manufacturer or his agent and shows the conformity with the listed standards as defined by the EC Low-Voltage Directive 73/23/EEC including amendments.

Product: Connector for Class I appliances with cord

Type designation:

Trademark:

Rating:

YC-14
Rated voltage: AC 250 V
Rated current: 2,5 A
H05VV-F 3 G 0,75

Yung-Li

YC-14
Rated voltage: AC 250 V
Rated current: 2,5 A
H05VV-F 3 G 1

Yung-Li

ÖVE - Testing & Certification

Accredited by the Austrian Ministry of Economic Affairs as Certification Body and Inspection Body for products, services, process and system evaluation in the whole field of electrotechnology



CERTIFICATE

Product Safety

Reference No./pos 0032081/01

Product Connector

**Certificate holder/
manufacturer** YUNG LI CO., LTD.
1F, No. 10, Lane 235
Pau-Chiao Road
Hsin-Tien 231, Taipei County
TAIWAN

Type designation YC-14

Technical data IP-Class: 20 Rated Voltage (V): 250
Rated Current (A): 2.5
EN60320/C5. With H05VV-F 3G0.75-1.0 mm².

**The product complies
with the standard(s)** EN 60320-1:1996 + A1:1996 + A2:1998

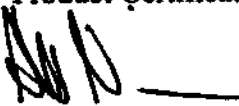
Date of expiry 31 December 2010

LVD Information The product satisfies the provisions for CE marking according
to the Low Voltage Directive 73/23/EEC and 93/68/EEC.

Terms and additional information overleaf and in Appendix 1.

Stockholm
9 August 2000

SEMKO AB
Product Certification


Alve Nilsson

 **SEMKO**

 Intertek Testing Services
ETL SEMKO



Certificate © SEV

System no. 5, type testing with assurance of conformity by production surveillance

CERTIFEL - "Safety tested and supervised"

Certificate ref. no. CH-00-IK.0478.ZA5.A

Licence ref. no. 104875

This certificate grants the right to use the mark of conformity



page 1 of 1

Product	Non-rewierable connector
Licensee/Licence holder	Yung Li Co., Ltd., No 54, Hua Chung Street Hsin Tien, Taipei, TAIWAN
Manufacturer	Yung Li Co., Ltd., No 54, Hua Chung Street Hsin Tien, Taipei, TAIWAN
Manufactured at/Factory	Yung Li Co., Ltd., No 54, Hua Chung Street Hsin Tien, Taipei, TAIWAN
Trade-mark	YUNG LI
Type/Model	YC-14
Ratings, characteristics	250V~, 2.5A;, Standart Sheet C 5
Additional information	All colours, with following non-rewireable cables : H05VV-F 3G0.75mm ² , H05VV-F 3G1.00mm ²
Standards safety	IEC 60320:94 + A1:95 + A2:96
Standards EMC	---
Other standards	---

The product was found to be in conformity with aforementioned standards, as shown in reports ref. no. 00-IK-0478.01

Production surveillance according to European, CENELEC harmonised procedure.

This certificate has to be reissued every three years.

Certificate superseded: ---

Swiss Electrotechnical Association

Hans Roschmann *Walter Werder*

Hans Roschmann
Product Certification

Walter Werder
Product Qualification



SCES 035
(EN 45011)



SIS 026
(EN 45004)

Fehraltorf, 2000.10.26

ZEICHENGENEHMIGUNG MARKS LICENCE

Yung Li Co. Ltd.
1F. No.10 Lane 235 Pao-Chiao Rd.
HSIN TIEN 231, TAIPEI COUNTY
Taiwan

ist berechtigt, für ihr Produkt /
is authorized to use for their product

Gerätesteckdose, nichtwiederanschließbar
Connector, non-rewirable
YC-14

die hier abgebildeten markenrechtlich geschützten Zeichen für die
ab Blatt 2 aufgeführten Typen zu benutzen /
the legally protected Marks as shown below for the types referred to on page 2 ff.



Geprüft und zertifiziert nach /
Tested and certified according to

DIN EN 60320-1 (VDE 0625 Teil 1):1997-07 EN 60320-1:1996 + A1:1996
DIN EN 60320-1/A2 (VDE 0625 Teil 1/A2):1998-10 EN 60320-1/A2:1998

VDE Prüf- und Zertifizierungsinstitut
VDE Testing and Certification Institute
Zertifizierungsstelle
Certification

Aktenzeichen: 16098-1550-0006 / 32CXJ F33 / E

File ref.:

Ausweis-Nr.: 131430

Licence No.:

Weitere Bedingungen siehe Rückseite und Folgeblätter /
further conditions see overleaf and following pages

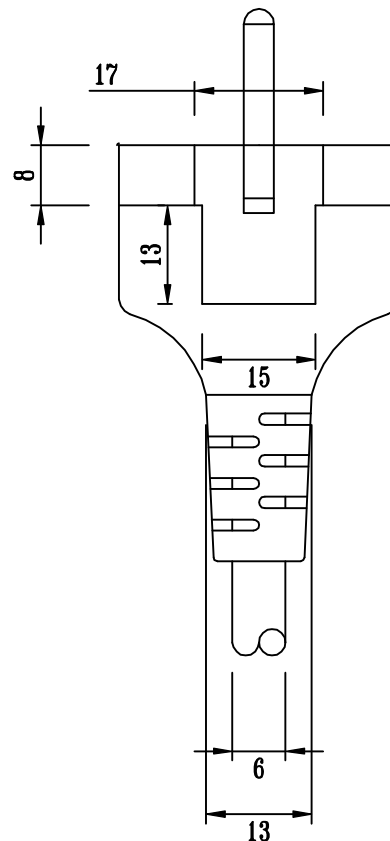
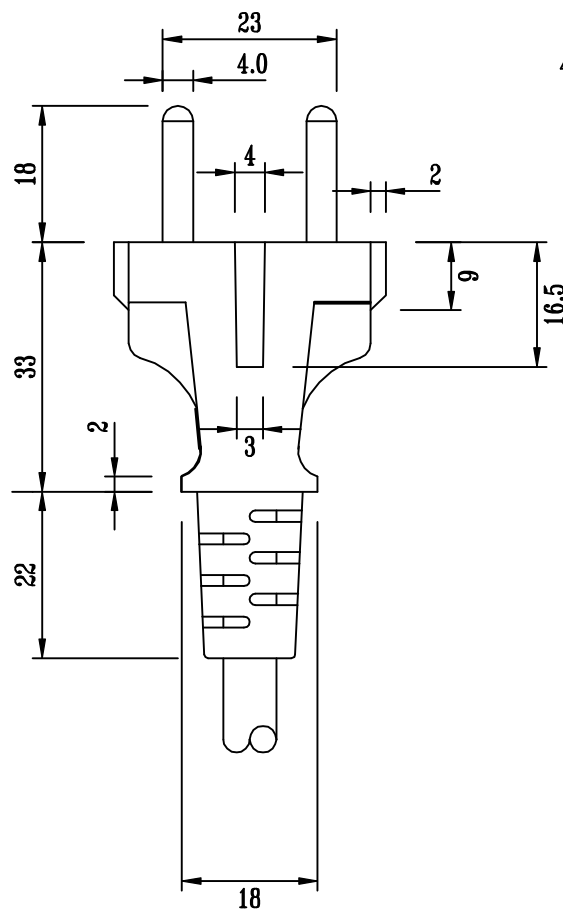
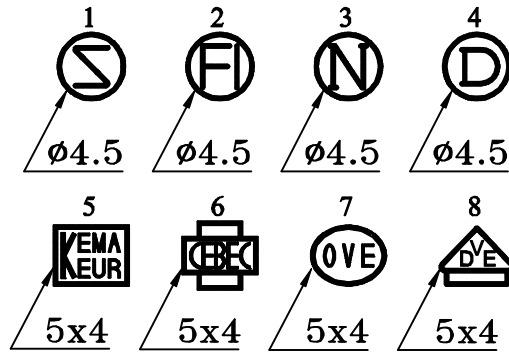
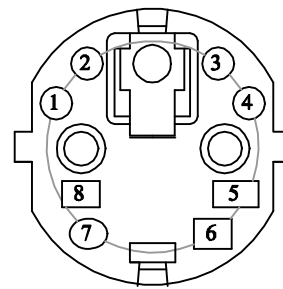
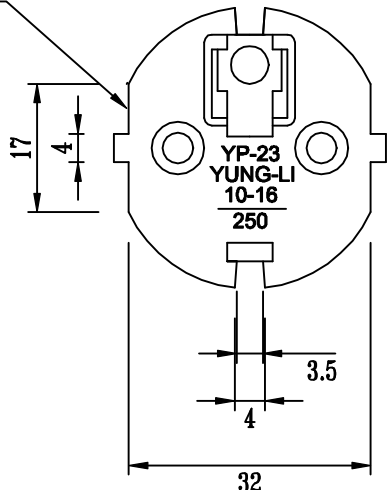
Offenbach, 2000-11-07

Blatt 1
page

Drawings



LCIE logo



Suitable Flexible Cord:

H05VV-F
3Cx0.75mm²

Tolerance:

>0±0.3
>1±0.5
>10±0.1
>20±0.2

Angle:

±1

This document contains informations confidential and proprietary to Yung-Li and shall not be transferred to other documents or disclosed to others or used for other purpose than that was obtained.

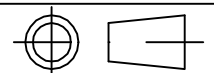
Drawn: 楊錫智

Date: Mar24,96

永力實業有限公司
Yung Li Co., Ltd

Description: YP-22 VDE plug

Material: P.V.C.



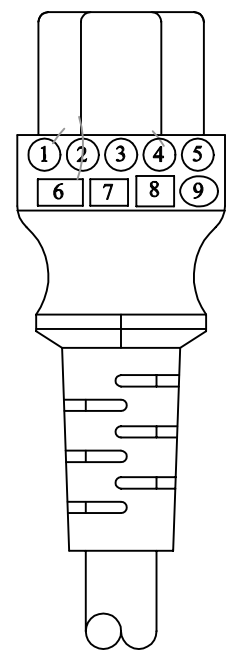
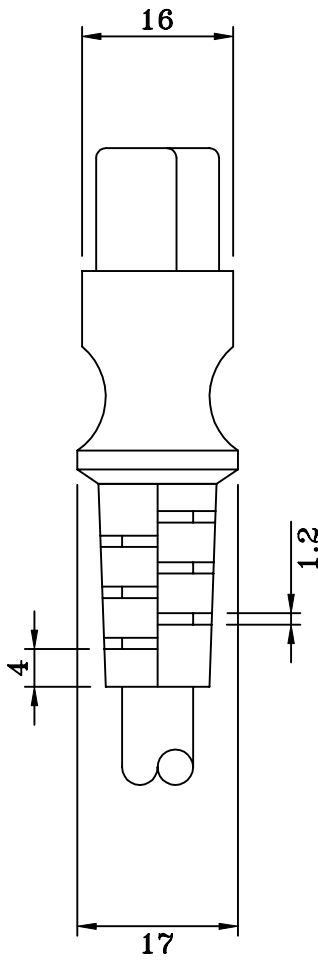
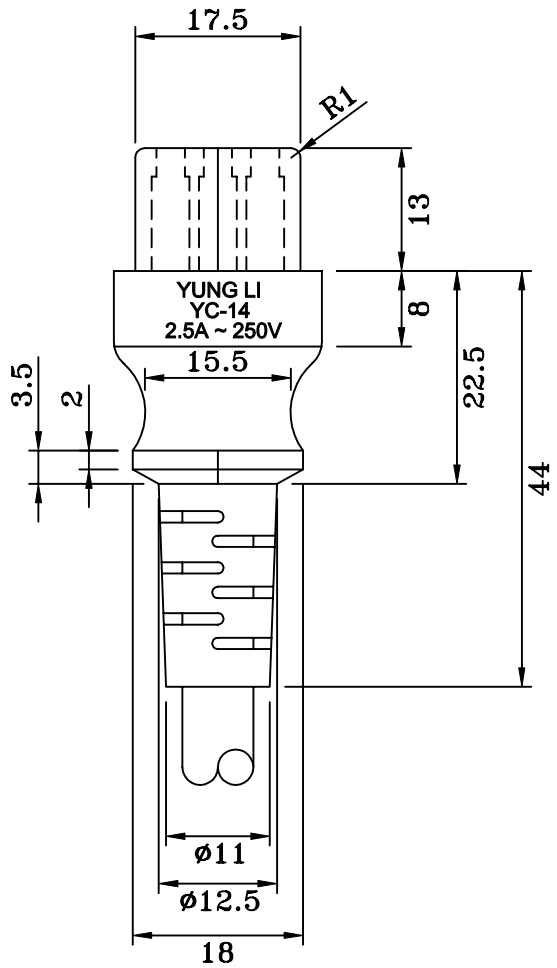
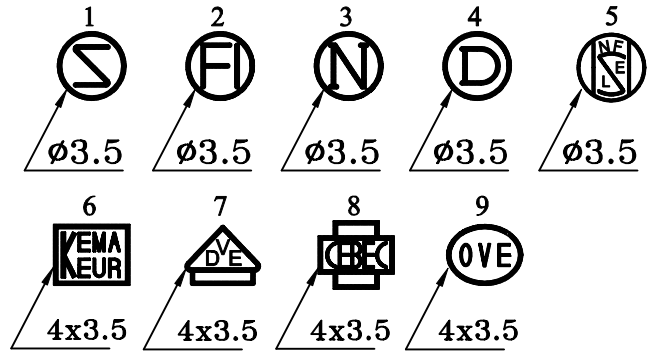
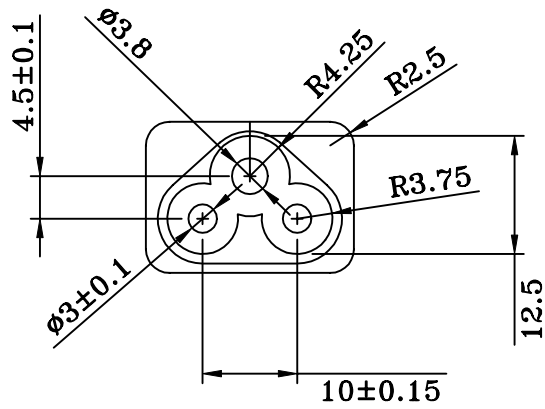
Scale: x 1

Unit: mm

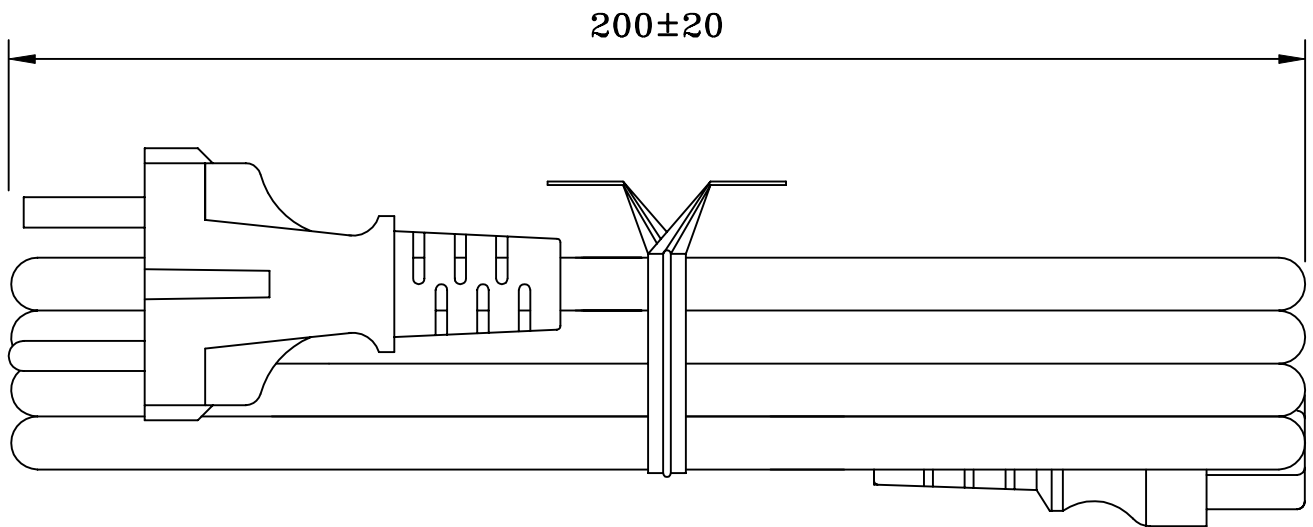
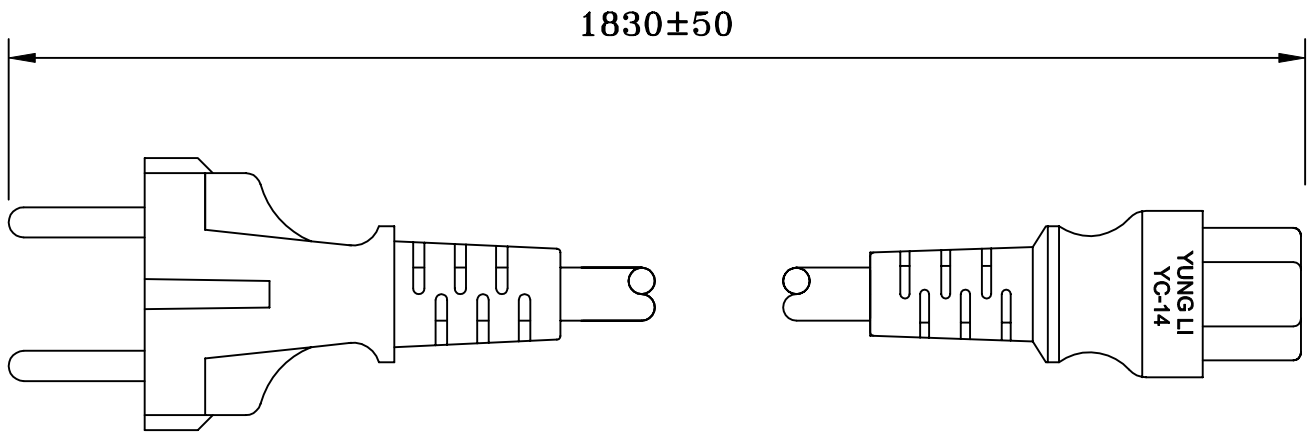
Specification Use Only

Drawing No.: YL-96013





Suitable Flexible Cord: H05VV-F 3Gx0.75mm ² 3Gx1.00mm ²	Tolerance: >0± 0.3 >1± 0.5 >10± 1 >20± 5	This document contains information confidential and proprietary to Yung-Li and shall not be transferred to other documents or disclosed to others or used for other purpose than that was obtained.	永力實業有限公司 Yung Li Co., Ltd	
			Description: YC-14 Connector	
			Material: P.V.C.	
		Date: June 16,00	Scale: x1.25	Unit: mm
Specification use only			Drawing No.: YL-00005	



Suitable Flexible Cord: H05VV-F 0.75mm^2 H05VV-F 1.00mm^2	Tolerance: $>0 \pm 0.3$ $>1 \pm 0.5$ $>10 \pm 1$ $>20 \pm 2$ Angle: ± 1	This document contains information confidential and proprietary to Yung-Li and shall not be transferred to other documents or disclosed to others or used for other purpose than that was obtained.	永力實業有限公司 Yung Li Co., Ltd	
			Description: YP-23+YC-14 CE cord	
			Material: P.V.C.	
		Date: 11/22/00	Scale: not to scale	Unit: mm
Specification Use Only			Drawing No.: YL-00018	