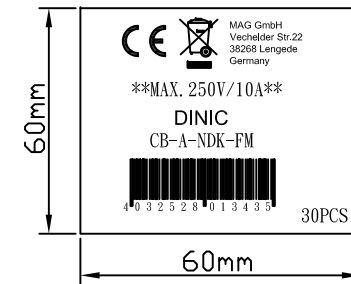
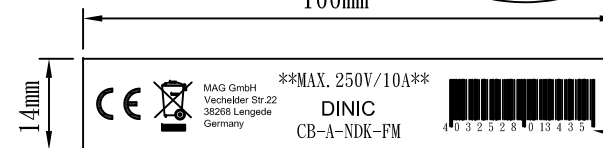
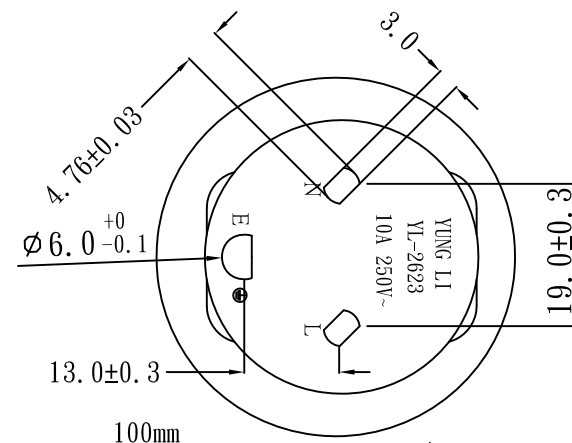
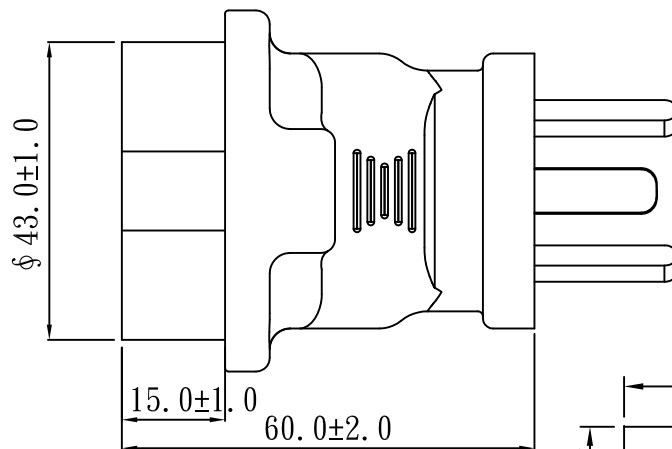
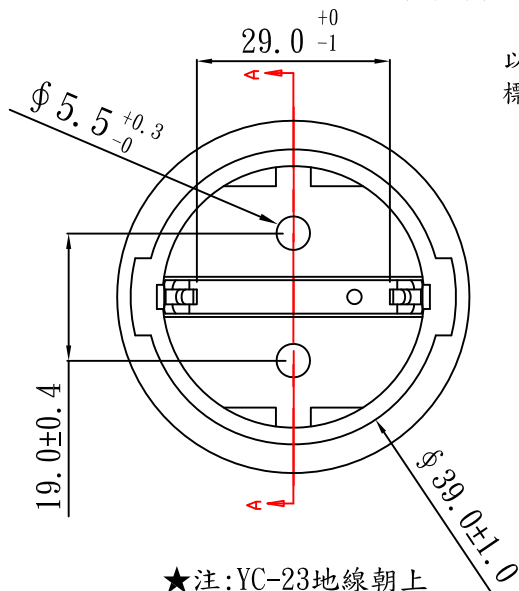


袋子標籤:每30PCS裝一袋,貼標籤一張



以進料點為起點,平齊此處貼標籤,文字方向如圖。



白底黑字+合成紙

掃描內容為:  
4032528013435

NO.	SPECIFICATION	QTY	REMARK
1	UL 1015 18AWG BROWN	1PC	
2	UL 1015 18AWG BLUE	1PC	
3	UL 1015 18AWG GRN/YEL	1PC	
4	Danish plug:P98073D-1W WHITE	1PC	
5	YC-23 FRAME BLACK NEW	1PC	Dust cover
6	PVC PLASTIC:50P BLACK	42g/PC	
7	ZIP BAG:130X130X0.06mm	1PC	
8	LABEL:30*70mm	1PC	

TOLERANCE >0±0.30 >1.0±0.50 >10.0±1.0 >20.0±2.0 Angle: ±1°	APPROVED		DATE		YUNG LI CO., LTD			
	CHECKED		DATE					
	DRAWN	SUKI	DATE	21.07.23	CUSTOMER	MAG		
	TYPE	YL-2623			P/N	CB-A-NDK-FM		
	DRAWING NO.	CY-A2623-01	REV	B	MATERIAL	P.V.C	UNIT	mm
				SCALE	1:1			