

東莞永力電業有限公司

YUNG LI CO., LTD

Da Pu Industrial Zone, Gang Zi, Changping Town,
Dong Guan City, Guangdong 523571 China.P.R.C

TEL:0769-83396797~8

FAX:0769-83396796

E-mail: sales@yung-li.com

Description: YP-CJ/YC-1E

Customer: _SY

Parts No. :

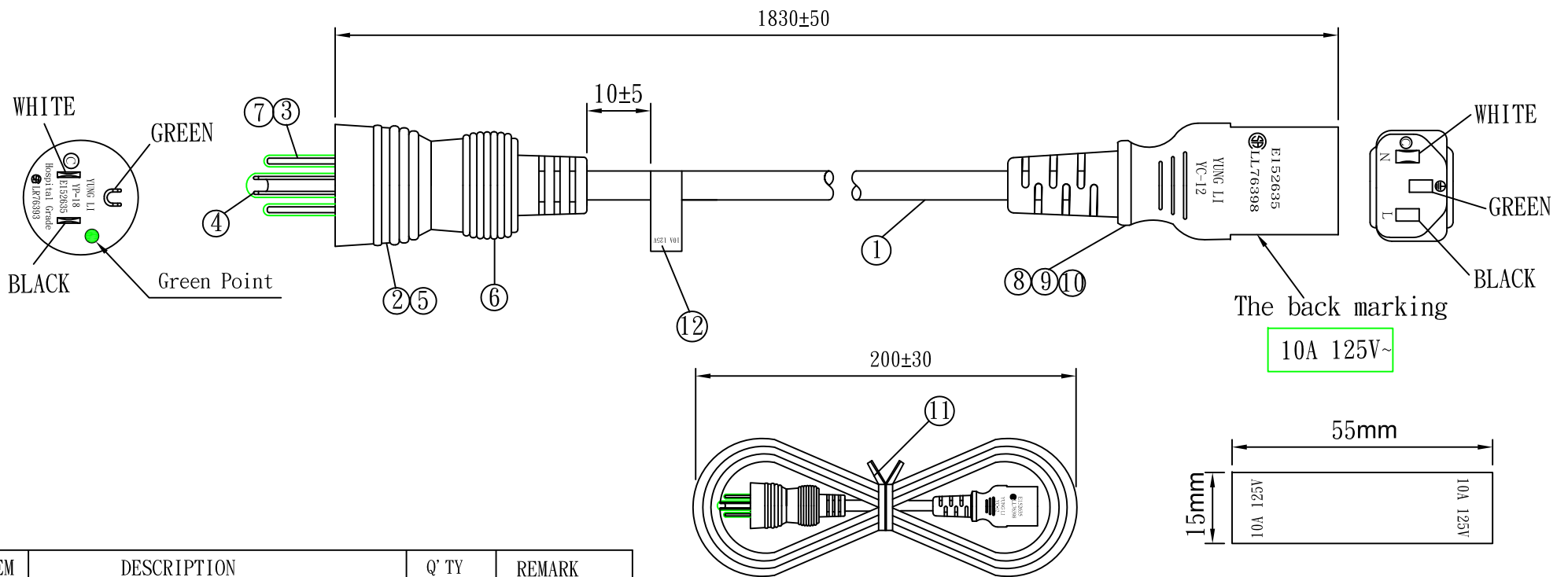
Draw No. :

REVISION RECORD

| | | |
|---|--|--|
| 1 | | |
| 2 | | |
| 3 | | |
| 4 | | |
| 5 | | |

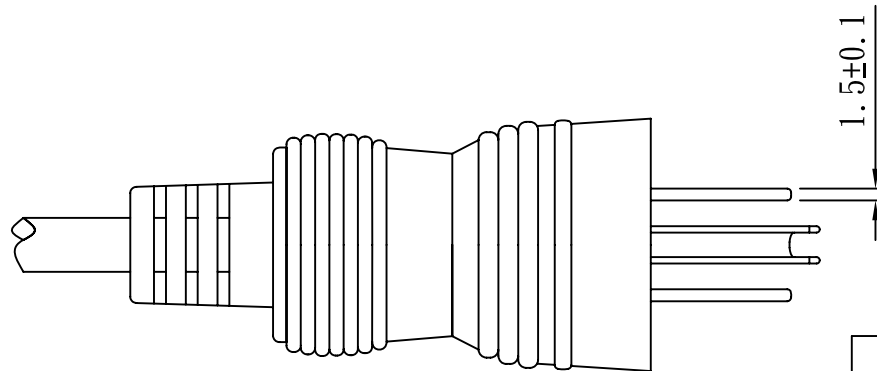
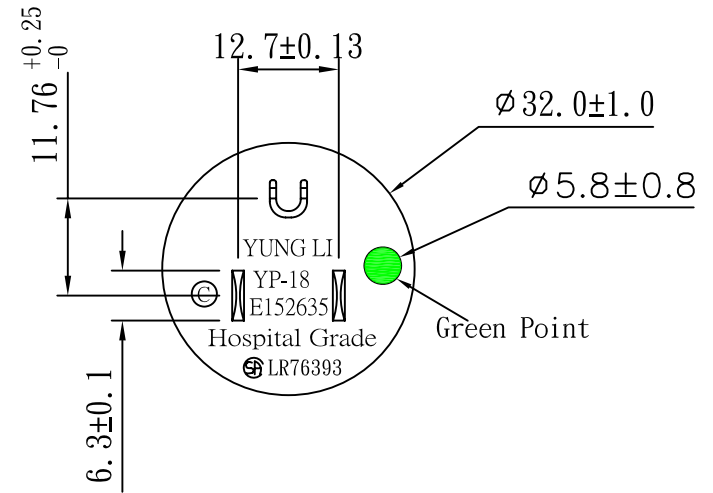
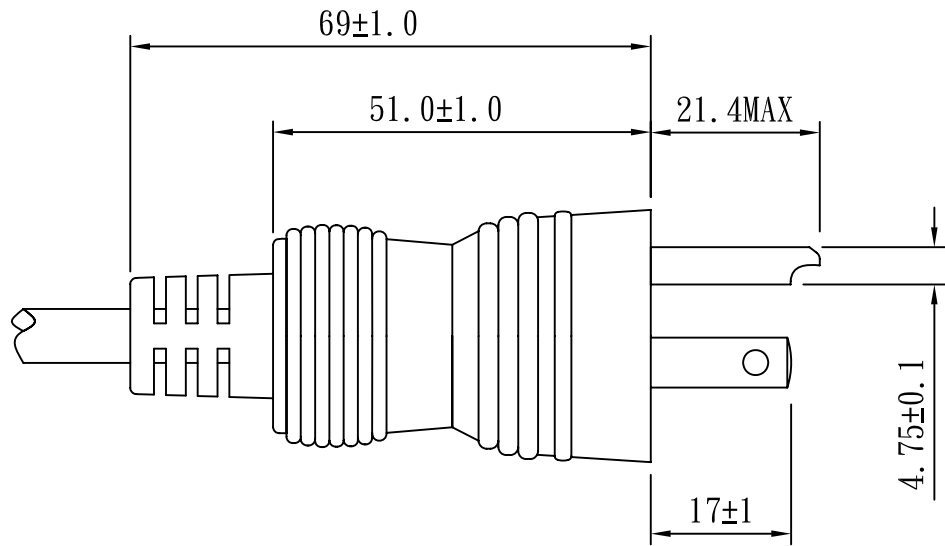
| YUNG LI | |
|---------|-------------|
| CHECKED | PREPARED BY |
| | |

| CUSTOMER | APPROVED |
|----------|----------|
| | |



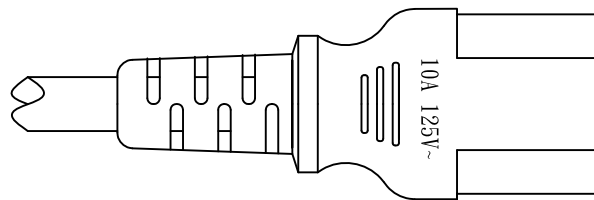
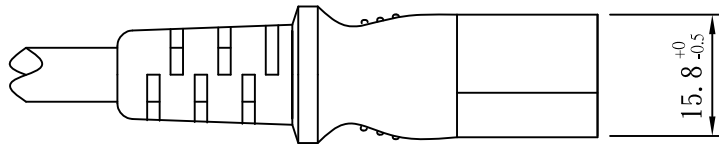
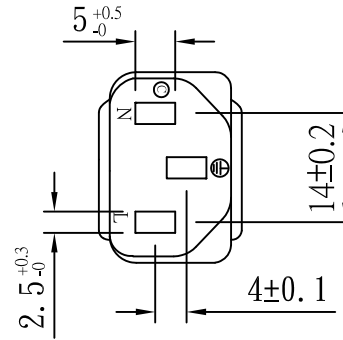
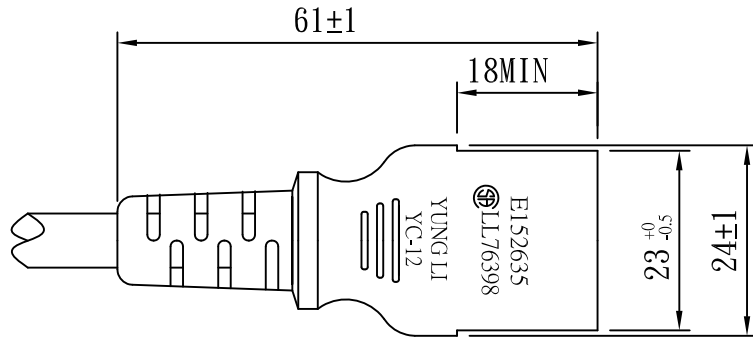
| ITEM | DESCRIPTION | Q'TY | REMARK |
|------|-----------------------------|--------|--------|
| 1 | SJT 18x3C 105°C BLACK | 1PC | |
| 2 | YP-18 PVC PLASTIC 35P BLACK | 45g/PC | |
| 3 | TER:98693BL-1 | 2PCS | |
| 4 | TER:98478ABL-1 | 1PC | |
| 5 | YP-18 INNER BODY | 1PC | |
| 6 | Ring: ϕ 9.5*2mm | 1PC | |
| 7 | D-TYPE SLEEVE | 1PC | |
| 8 | YC-12 PVC PLASTIC 35P BLACK | 18g/PC | |
| 9 | "U" TER:97740BS-0 | 3PCS | |
| 10 | YC-12 INNER BODY | 1PC | |
| 11 | MINI TIE=130mm BLACK | 1PC | |
| 12 | LABEL: 55*15mm 自粘布 | 1PC | |

| | | | | | | | | |
|---|-------------|-------------|------|------|------------------------|----------|---------|------|
| Tolerance >0±0.30 >1.0±0.50 >10.0±1.0 >20.0±2.0 Angle: ±1° | Approved | | Date | | YUNG LI CO.,LTD | | | |
| | Checked | | Date | | | | | |
| | Drawn | | Date | | Customer | MAG | | |
| | Cat. No. | YP-18/YC-12 | | | P/N. | | | |
| | Drawing No. | CY-U0526 | | Rev. | B | Material | P. V. C | Unit |
| | | | | | Scale | | | |



| | | | | | | | | |
|--|----------|-------|------|----------|--------------------------|------|----|--|
| TOLERANCE >0±0.30 >1.0±0.50 >10.0±1.0 >20.0±2.0 Angle: ±1° | APPROVED | | DATE | | YUNG LI CO., LTD. | | | |
| | CHECKED | | DATE | | | | | |
| | DRAWN | 羅生英 | DATE | 09.06.13 | | | | |
| | TYPE | YP-18 | | | P/N | | | |
| DRAWING NO | CY-P18U | | | MATERIAL | P.V.C | UNIT | mm | |
| | | | | SCALE | 1:1 | | | |

IEC320-C13



| | | | | | | | | |
|--|-------------|-------|------|---|------------------|---------|------|----|
| TOLERANCE >0±0.30 >1.0±0.50 >10.0±1.0 >20.0±2.0 Angle: ±1° | APPROVED | | DATE | | YUNG LI CO., LTD | | | |
| | CHECKED | | DATE | | | | | |
| | DRAWN | | DATE | | | | | |
| | TYPE | YC-12 | | | P/N | | | |
| | DRAWING NO. | | REV | B | MATERIAL | P. V. C | UNIT | mm |
| | | | | | SCALE | 1:1 | | |

YUNG LI CO., LTD

SPECIFICATION

| | | | |
|-----------|-------|-----------------------|-------------|
| Yung-Li | Style | PVC FLEXIBLE CORDS | Document No |
| 2007.8.02 | | | |
| Edition | Size | SJT 18/ 3C 105 | Page |
| A | | | 1/2 |

1. Standard : UL 62 UL 1581

2. Construction & Dimension

| | Item | Specification |
|---------------|--------------------------------|----------------------|
| Conductor | Size | 18AWG X 3C |
| | Material | Annealed Bare Copper |
| | Construction | 41/ 0.16±0.002 |
| Insulation | Material | PVC |
| | Minimum Average Thickness | 0.76mm |
| | Minimum Thickness at any point | 0.69mm |
| | Diameter | 2.75 ± 0.10 |
| | Identification | Black White Green |
| Core Assembly | Core Twist | 3-Core |
| | Filler | NA |
| | Assembly Pair | NA |
| Taping | Mylar Foil | NA |
| Shielded | A1-Mylar Foil | NA |
| Drain Wire | Material | NA |
| | Construction | NA |
| Jacket | Material | PVC |
| | Minimum Average Thickness | 0.76mm |
| | Minimum Thickness at any point | 0.61mm |
| | Overall Diameter(Approx) | 7.8 ± 0.15 |
| | Color | Any Color |

Marking :

YUNG LI (UL) E241374 SJT 3/C 18AWG(0.824mm²) 105 300V VW-1
 CSA 177323 SJT 3/C 18AWG(0.824mm²) 105 300V FT2

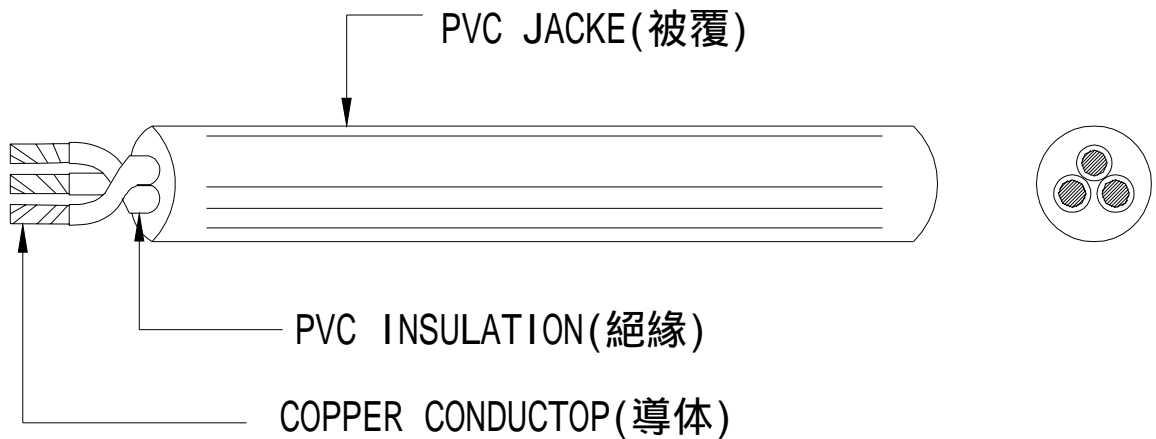
YUNG LI CO., LTD

SPECIFICATION

| | | | |
|-----------|-------|-----------------------|-------------|
| Yung-Li | Style | PVC FLEXIBLE CORDS | Document No |
| 2007.8.02 | | | |
| Edition | Size | SJT 18/ 3C 105 | Page |
| A | | | 2/2 |

| 3. Electrical & Physical Properties | | | |
|-------------------------------------|--------|-------------------------|------------------------------|
| Item | | Specification | |
| Rating Voltage | | 300V | |
| Insulation Resistance | | 0.76MΩ/Km 15.0 Min | |
| Dielectric Strength | | AC 2.0KV/1 min No Crack | |
| Spark Test | | 6KV/0.15 Sec | |
| Insulation | Unaged | Tensile Strength | 1500 lbs/in ² min |
| | | Elongation | 100% Min |
| | Aged | Tensile Strength | Min 85%(136±1 x168hrs) |
| | | Elongation | Min 65%(136±1 x168hrs) |
| Jacket | Unaged | Tensile Strength | 1500 lbs/in ² min |
| | | Elongation | 100% Min |
| | Aged | Tensile Strength | Min 85%(136±1 x168hrs) |
| | | Elongation | Min 45%(136±1 x168hrs) |
| Deformation Test | | 121±1 m X 1hr 50% | |
| Cold Bend Test | | -20 x 4hr No Crack | |
| Heat Shock Test | | 121±1 x 1hr No Crack | |
| | | | |

Graph:





ELBZ7.E152635

Cord Sets and Power-supply Cords Certified for Canada

Page Bottom

Cord Sets and Power-supply Cords Certified for Canada

[See General Information for Cord Sets and Power-supply Cords Certified for Canada](#)

YUNG LI CO LTD

E152635

1ST FL

10 LANE 235 PAO-CHIAO RD

HSIN-TIEN, TAIPEI HSIEN 231 TAIWAN

Power-supply cords

| Cat. No. | ANSI/NEMA WD6 Config | Cord AWG | Cord Type | Electrical Rating Amps V |
|----------|-------------------------|-------------|---|--------------------------------|
| YP-11 | 1-15 | 18/2 | SPT-1, SPT-1W, NISPT-1, SPT-2, SPT-2W, NISPT-2, SPT-3, HPN, SVT, SVTO, SJT, SJTW, SJTO, SJTOW, SV, SVO, SJ, SJO, SJOW, SJOOW | 10/125 |
| | | 17/2 | SVT, SVTO, SV, SVO, SJ, SJO, SJOW, SJOOW | 12/125 |
| | | 16/2 | SPT-2, SPT-2W, NISPT-2, SPT-3, SVT, SVTO, SJT, SJTW, SJTO, SJTOW, SV, SVO, SJ, SJO, SJOW, SJOOW | 13/125 |
| | | 16/2 | HPN | 15/125 |
| | | 14/2 | SPT-3, SJT, SJTW, SJTO, SJTOW, SJ, SJO, SJOW, SJOOW | 15/125 |
| YP-11W | 1-15P | 18/2 | SPT-1, SPT-1W, NISPT-1, SPT-2, SPT-2W, NISPT-2, SPT-3, HPN, SVT, SVTO, SJT, SJTW, , SJTO, SJTOW, SV, SVO, SJ, SJO, SJOW, SJOOW | 10/125 |
| | | 17/2 | SVT, SVTO, SV, SVO, SJ, SJO, SJOW, SJOOW | 12/125 |
| | | 16/2 | SPT-2, SPT-2W, NISPT-2, SPT-3, SVT, SVTO, SJT, SJTW, SJTO, SJTOW, SV, SVO, SJ, SJO, SJOW, SJOOW | 13/125 |
| | | 16/2 | HPN | 15/125 |
| | | 14/2 | SPT-3, SJT, SJTW, SJTO, SJTOW, SJ, SJO, SJOW, SJOOW | 15/125 |
| YP-11C | 1-15 | 18/2 | NISPT-1, NISPT-2 | 10/125 |
| YP-12 | 5-15 | 18/3 | SVT, SVT Shielded, SVTO, SJT, SJT Shielded, SJTW, SJTW Shielded, SJTO, SJTO Shielded, SJTOW, SJTOW Shielded, ST, ST Shielded, STW, STW Shielded, STOW, STOW Shielded, SV, SVO, SJ, SJ Shielded, SJO, SJO Shielded, SJOO, SJOO Shielded, SJOW, SJOW Shielded, SJOOW, SJOOW Shielded, S, SO, SO Shielded, SOO, SOO Shielded, SOW, SOW Shielded, SOOW, SOOW Shielded, SPT-2, SPT-3 | 10/125 |
| | | 17/3 | SVT, SVTO, SV, SVO | 12/125 |
| | | 16/3 | SVT, SVT Shielded, SVTO, SJT, SJT Shielded, SJTW, SJTW Shielded, SJTO, SJTO Shielded, SJTOW, SJTOW Shielded, ST, ST Shielded, STW, STW Shielded, STOW, STOW Shielded, SV, SVO, SJ, SJ Shielded, SJO, SJO Shielded, SJOO, SJOO | 13/125 |

| | | | | |
|--------|------|------|--|--------|
| | | 14/3 | SJT, SJTW, SJTO, SJTOW, ST, STW, STOW, SJ, SJO, SJOW, SJOOW, S, SO, SOW, SOOW, SPT-3 | 18/125 |
| | | 12/3 | SJT, SJTW, SJTO, SJTOW, ST, STW, STOW, SJ, SJO, SJOW, SJOOW, S, SO, SOW, SOOW, SPT-3SPT-3, S, SJ, SJO, SJOW, SJOOW | 20/125 |
| YP-17L | 5-20 | 18/3 | SJT, SJTW, SJTO, SJTOW, ST, STW, STOW, SO, SOW, SOOW | 10/125 |
| | | 16/3 | SJT, SJTW, SJTO, SJTOW, ST, STW, STOW, SO, SOW, SOOW | 13/125 |
| | | 14/3 | SJT, SJTW, SJTO, SJTOW, ST, STW, STOW, SO, SOW, SOOW, SPT-3 | 18/125 |
| | | 12/3 | SJT, SJTW, SJTO, SJTOW, ST, STW, STOW, SO, SOW, SOOW, SPT-3 | 20/125 |
| YP-18 | 5-15 | 18/3 | SJT, SJTW, SJTO, | 10/125 |
| | | | SJTOW | |
| | | 16/3 | SJT, SJTW, SJTO, | 13/125 |
| | | | SJTOW | |
| | | 14/3 | SJT, SJTW, SJTO, | 15/125 |
| | | | SJTOW | |
| YP-18L | 5-15 | 18/3 | SJT, SJTW, SJTO, | 10/125 |
| | | | SJTOW | |
| | | 16/3 | SJT, SJTW, SJTO, | 13/125 |
| | | | SJTOW | |
| | | 14/3 | SJT, SJTW, SJTO, | 15/125 |
| | | | SJTOW | |
| YP-18N | 5-15 | 18/3 | SJT, SJTW, SJTO, SJTOW, ST, STW, STOW, SO, SOW, SOOW | 10/125 |
| | | 16/3 | SJT, SJTW, SJTO, SJTOW, ST, STW, STOW, SO, SOW, SOOW | 13/125 |
| | | 14/3 | SJT, SJTW, SJTO, SJTOW, ST, STW, STOW, SO, SOW, SOOW, SJ, SJO, SJOW | 15/125 |
| | | 12/3 | SJT, SJTW, SJTO, SJTOW, ST, STW, STOW, SO, SOW, SOOW, SJ, SJO, SJOW | 15/125 |
| YP-18T | 5-15 | 18/3 | SJT, SJTW, SJTO, SJTOW, ST, STW, STOW | 10/125 |
| | | 16/3 | SJT, SJTW, SJTO, SJTOW, ST, STW, STOW | 13/125 |
| | | 14/3 | SJT, SJTW, SJTO, SJTOW, ST, STW, STOW | 15/125 |
| | | 12/3 | SJT, SJTW, SJTO, SJTOW, ST, STW, STOW | 15/125 |
| YP-19 | 6-15 | 18/3 | SVT, SVT Shielded, SVTO, SJT, SJT Shielded, SJTW, SJTW Shielded, SJTO, SJTOW, ST, STW, STOW, SV, SVO, SJ, SJO, SJOW, SJOOW, S, SO, SOW, SOOW, SPT-2, SPT-3 | 10/250 |
| | | 17/3 | SVT, SVTO, SV, SVO | 12/250 |
| | | 16/3 | SVT, SVTO, SJT, SJTW, SJTO, SJTOW, ST, STW, STOW, SV, SVO, SJ, SJO, SJOW, SJOOW, S, SO, SOW, SOOW, SPT-2, SPT-3 | 13/250 |
| | | 14/3 | SJT, SJTW, SJTO, SJTOW, ST, STW, STOW, SJ, SJO, SJOW, SJOOW, S, SO, SOW, SOOW, SPT-3 | 15/250 |
| | | 12/3 | SJT, SJTW, SJTO, SJTOW, ST, STW, STOW, SJ, SJO, SJOW, SJOOW, S, SO, SOW, SOOW, SPT- | 15/250 |

| | | | | |
|-------|---------|------|---|-------------------------|
| | | | SJOO, SJOOW, S, SO, SOW, SOO, SOOW | |
| | | 12/5 | SJT, SJTW, SJTO, SJTOW, SJTOO, SJTOOW, ST, STW, STO, STOW, STOO, STOOW, SJ, SJO, SJOW, SJOO, SJOOW, S, SO, SOW, SOO, SOOW | 20A/120/208; 3-phase |
| | | 10/5 | SJT, SJTW, SJTO, SJTOW, SJTOO, SJTOOW, ST, STW, STO, STOW, STOO, STOOW, SJ, SJO, SJOW, SJOO, SJOOW, S, SO, SOW, SOO, SOOW | 20A/120/208; 3-phase |
| YP-62 | L22-20P | 14/5 | SJT, SJTW, SJTO, SJTOW, SJTOO, SJTOOW, ST, STW, STO, STOW, STOO, STOOW, SJ, SJO, SJOW, SJOO, SJOOW, S, SO, SOW, SOO, SOOW | 15A/277/480; 3-phase |
| | | 12/5 | SJT, SJTW, SJTO, SJTOW, SJTOO, SJTOOW, ST, STW, STO, STOW, STOO, STOOW, SJ, SJO, SJOW, SJOO, SJOOW, S, SO, SOW, SOO, SOOW | 20A/277/480; 3-phase |
| | | 10/5 | SJT, SJTW, SJTO, SJTOW, SJTOO, SJTOOW, ST, STW, STO, STOW, STOO, STOOW, SJ, SJO, SJOW, SJOO, SJOOW, S, SO, SOW, SOO, SOOW | 20A/277/480; 3-phase |
| YP-64 | L23-20P | 14/5 | SJT, SJTW, SJTO, SJTOW, SJTOO, SJTOOW, ST, STW, STO, STOW, STOO, STOOW, SJ, SJO, SJOW, SJOO, SJOOW, S, SO, SOW, SOO, SOOW | 15A/347/600; 3-phase |
| | | 12/5 | SJT, SJTW, SJTO, SJTOW, SJTOO, SJTOOW, ST, STW, STO, STOW, STOO, STOOW, SJ, SJO, SJOW, SJOO, SJOOW, S, SO, SOW, SOO, SOOW | 20A/347/600; 3-phase |
| | | 10/5 | SJT, SJTW, SJTO, SJTOW, SJTOO, SJTOOW, ST, STW, STO, STOW, STOO, STOOW, SJ, SJO, SJOW, SJOO, SJOOW, S, SO, SOW, SOO, SOOW | 20A/347/600; 3-phase |

Special-use cord sets

| Cat. No. | IEC 320 Config | Cord AWG | Cord Type | Electrical Rating Amps V |
|---|----------------|----------|---|--------------------------|
| YC-11 | IEC C17 | 18 | SPT-1, SPT-2, NISPT-1, NISPT-2, SPT-3, SVT, SJT, SJTO, SJTOW, ST, STW, STOW, SO, SOW, SOOW | 10/125 or 250 |
| | | 16 | SPT-2, NISPT-2, SPT-3, SVT, SJT, SJTW, SJTO, SJTOW, ST, STW, STOW, SO, SOW, SOOW | 13/125 or 250 |
| YC-12, YC-12L, YC-12L-1, YC-12L-2, YC-12L-3 | IEC C13 | 18 | SVT, SJT, SJTW, SJTO, SJTOW, SJ, SJO, SJOO, SJOW, SJOOW, ST, STW, STOW, SO, SOO, SOW, SOOW (Shielded or Non-Shielded for above types), SPT-2, SPT-3 | 10/125 or 250 |
| | | 16 | SJT, SJTW, SJTO, SJTOW, ST, STW, STOW, SJ, SJO, SJOO, SJOW, SJOOW, SO, SOO, SOW, SOOW (Shielded or Non-shielded for above types), SPT-3 | 13/125 or 250 |
| | | 14 | SJT, SJTW, SJTO, SJTOW, ST, STW, STOW, SJ, SJO, SJOO, SJOW, SJOOW, SO, SOO, SOW, SOOW (Shielded or Non-shielded for above types), SPT-3 | 15/125 or 250 |
| | | 12 | SJT, SJTW, SJTO, SJTOW, ST, STW, STOW, SJ, SJO, SJOO, SJOW, SJOOW, SO, SOO, SOW, SOOW (Shielded or Non-shielded for all types) | 15/125 or 250 |
| YC-12(A.C.1) | IEC C13 | 12 | SJT, SJTW, SJTO, SJTOW, ST, STW, STOW, SO, SOW, SOOW, SPT-3 | 125/250 |
| | | 10 | SJT, SJTW, SJTO, SJTOW, ST, STW, STOW, SO, SOW, SOOW | 125/250 |
| YC-12C | IEC C13 | 18 | NISPT-2 | 125/250 |
| | | 16 | NISPT-2 | 125/250 |
| YC-13 | IEC C7 | 18 | SPT-1, SPT-1W, SPT-2, SPT-2W, NISPT-1, NISPT-2, SVT, SJT | 2.5/250 or 10/125 |
| YC-13W | IEC | 18 | SPT-1, SPT-1W, SPT-2, SPT-2W, NISPT-1, NISPT-2, SVT, | 2.5/250 or |

Certificate of Compliance

Certificate: 2118751 **Master Contract:** 177323 (LR 76393)
Project: 2118751 **Date Issued:** March 23, 2009
Issued to: Yung Li Company Ltd.
 1F No 10 Lane 235 Pao Chiao Rd
 Hsin Tien City, Taipei Hsien
 TAIWAN
 Attention: Mr. W. T. Lai

The products listed below are eligible to bear the CSA Mark shown



Issued by: Sebastian George, P. Eng.

Authorized by: 
 Jupiter Huang
 Certifier

PRODUCTS

CLASS – 5842 02 - CORD SETS - Power Supply Cords

Power supply cords consisting of the following plug caps moulded on flexible cords as indicated:

| Plug Cap | | Flexible Cord | |
|---------------|-----------------------|---------------|--------------------------|
| Cat No | Configuration | AWG | Type |
| YP-18, YP-18L | 5-15P, Hospital Grade | 14, 16, 18 | SJT, SJTW, SJTOW, SJTOOW |

Note: These are Certified only for supply to manufacturers for the assembly, as components, of Certified electrical equipment where the suitability of the combination is determined by the CSA International.

APPLICABLE REQUIREMENTS

- | | | | |
|--------------------------|-------|---|--|
| CAN/CSA-C22.2 No. | 21-95 | - | Cord Sets and Power Supply Cords |
| CSA Standard C22.2 No | 42-99 | - | General Use Receptacles, Attachment Plugs and Similar Wiring Devices |
| INFORMS: Cord Sets No 7A | | - | Production-Line Test for Cord Sets and Power-Supply Cords |



Supplement to Certificate of Compliance

Certificate: 2118751

Master Contract: 177323 (LR76393)

*The products listed, including the latest revision described below,
are eligible to be marked in accordance with the referenced Certificate.*

Product Certification History

| Project | Date | Description |
|----------------|----------------|-------------------------|
| 2118751 | March 23, 2009 | Original Certification. |



The company named below has been authorized by CSA to represent the products listed in this record as "CSA Certified" and to affix the CSA Mark to these products according to the terms and conditions of the CSA Service Agreement and applicable CSA program requirements (including additional Markings).

File No: 076398 0 000

Class No: 5841 03 CORD SETS Special-use Cord Sets

SUBMITTOR

Yung Li Company Ltd.
4554507 1F No 10 Lane 235 Pao Chiao Rd
Hsin Tien City
Taipei Hsien,
Taiwan

FACTORY

Yung Li Company Ltd.
4554507 1F No 10 Lane 235 Pao Chiao Rd
Hsin Tien City
Taipei Hsien,
Taiwan

June 18, 2002(Replaces:June 7, 2002)

TO THE REQUIREMENTS OF CSA STD C22.2 NO. 21-95:

- Special-use cord sets consisting of the following connector bodies moulded onto any of the submittor's Certified power supply cords indicated:

Power Supply Cord

| Connector Body | | Plug Cap | | Flexible Cord | |
|----------------|-----------|------------|--------|---------------|---------------------------|
| Cat No. | Rating | Cat No | Config | AWG | Type |
| YC-12(Sp23) | 10A, 125V | YP-12 | 5-15P | 18 | SJT, SVT, SVT (Sh), SPT-2 |
| | 13A, 125V | YP-12 | 5-15P | 16 | SJT |
| | 15A, 125V | YP-12 | 5-15P | 14 | SJT |
| | 10A, 125V | YP-32 (Sd) | (SP23) | 18 | SJT, SVT, SVT (Sh) |
| YC-14(SP23) | 10A, 125V | YP-12 | 5-15P | 18 | SJT, SVT, SPT-2 |

LEGEND: "(Sp23)" Special use, 2-pole, 3 wire grounding type; "(Sd)" Shrouded; "(Sh)" Shielded.

**ZJCZ.E241374**
Flexible Cord[Page Bottom](#)

Flexible Cord[See General Information for Flexible Cord](#)**YUNG LI CO LTD**

E241374

1ST FL

10 LANE 235 PAO-CHIAO RD

HSIN-TIEN, TAIPEI HSIEN 231 TAIWAN

Jacketed cords, Type SJTW, STW, SJTO, SJTOW, STO, STOW, SJ, S, SJO, SO, SVT, SVTO, SJT, ST, SJOW, SJOOW, SOW, SOOW, SJOO, SOO.

Parallel cords, Type SPT-1, SPT-2, SPT-3, SPT-1W, SPT-2W, NISPT-1, NISPT-2.

Rang and dryer cord, Type SRDT.

[Last Updated on 2007-02-12](#)

[Questions?](#)[Notice of Disclaimer](#)[Page Top](#)[Copyright © 2007 Underwriters Laboratories Inc.®](#)

The appearance of a company's name or product in this database does not in itself assure that products so identified have been manufactured under UL's Follow-Up Service. Only those products bearing the UL Mark should be considered to be Listed and covered under UL's Follow-Up Service. Always look for the Mark on the product.

UL permits the reproduction of the material contained in the Online Certification Directory subject to the following conditions: 1. The Guide Information, Designs and/or Listings (files) must be presented in their entirety and in a non-misleading manner, without any manipulation of the data (or drawings). 2. The statement "Reprinted from the Online Certifications Directory with permission from Underwriters Laboratories Inc." must appear adjacent to the extracted material. In addition, the reprinted material must include a copyright notice in the following format: "Copyright © 2007 Underwriters Laboratories Inc.®"

An independent organization working for a safer world with integrity, precision and knowledge.





Certificate of Compliance

Certificate: 1594794 (LL 76398)

Master Contract: 177323

Project: 2616524

Date Issued: April 3, 2013

Issued to: Yung Li Company Ltd.

1F No 10 Lane 235 Pao Chiao Rd
Hsin Tien City
Taipei Hsien,
Taiwan
Attention: Wendy Wu

The products listed below are eligible to bear the CSA Mark shown



Kim Nguyen

Issued by: Kim Nguyen, P. Eng.

PRODUCTS

CLASS 5831 01 - WIRES - Flexible Cord

Types SPT-1, NISPT-1, SPT-2, NISPT-2, SPT-3, SVT, SVTO, SJT, SJTW, SJTO, SJTOW, ST, STW, STO, STOW with PVC insulation and jacket, rated 60C, 75C, 90C and 105C, FT1, FT2, VW-1.

APPLICABLE REQUIREMENTS

CSA C22.2 No 49 - Flexible Cords and Cables