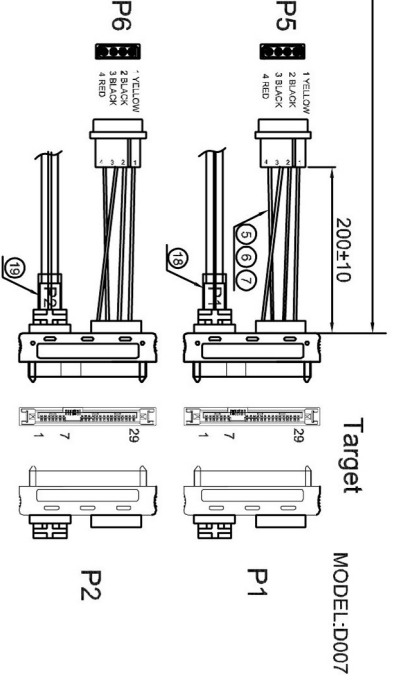
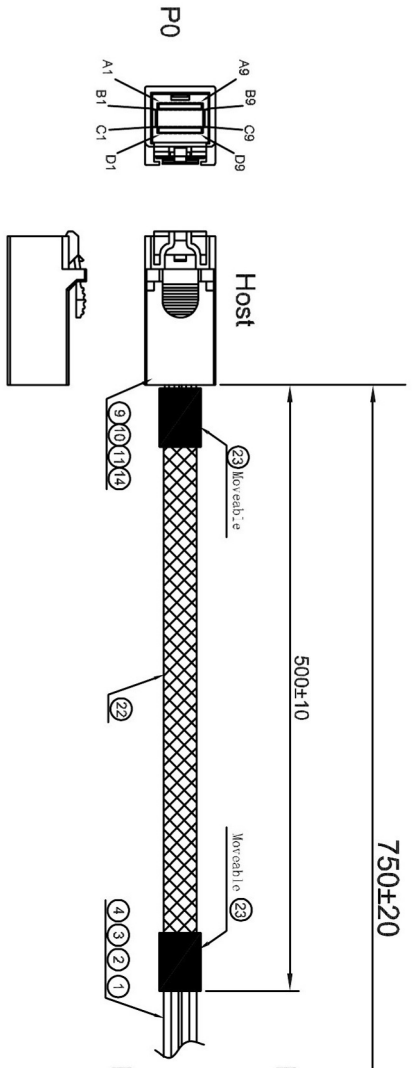


ROHS COMPLIANT

REV	DESC	DATE	ECN NO.



- ELECTRICAL TEST:
- 1.OPEN / SHORT 100% TEST.
 - 2.CONTACT RESISTANCE : 1Ω(MAX).
 3. INSULATION RESISTANCE : 20MΩ (MIN).
 - 4.HI-POT : DC 300V /10MS.

23	4-20-0062-002001	ACETATE TAPE BLACK W=20mm	50.0*2	mm
22	4-15-0044-001001	NYLON BRAID W=10.0MM -BLACK- 1*72	502	mm
21	4-22-0091-3007P4	LABEL: "P4" Translucent bottom black words	1	PCS
20	4-22-0050-3007P3	LABEL: "P3" Translucent bottom black words	1	PCS
19	4-22-0049-3007P2	LABEL: "P2" Translucent bottom black words	1	PCS
18	4-22-0048-3007P1	LABEL: "P1" Translucent bottom black words	1	PCS
17	4-15-0039-100201	Heat shrink tube OD:5.0mm Transparent	15.0*4	mm
16	4-19-A264-508104	JYC C5081,TOE-2,Terminal 20-24AWG	16	PCS
15	4-19-B263-508104	JYC 5081 Housing 1*4P Nylon66 WHITE	4	PCS
14	3-03-0004-005001	PBT BLACK	6	g
13	3-02-0001-532151	PE	12	g
12	3-01-0033-005001	PVC 50P BK	24	g
11	2-70-0018-011501	HD MINI SAS 36P SHELL 180°	1	PCS
10	2-70-0019-011502	HD MINI SAS 36P PCB/C/D	1	PCS
9	2-70-0016-011501	HD MINI SAS 36P PCB/A/B	1	PCS
8	2-66-A023-001501	SAS 29IF CONTACT GOLD PLATED 15μ, H.S PAET BLACK	4	PCS
7	1-57-0083-610203	UL 1007 22 AWG RED	215.0*4	mm
6	1-57-0007-610205	UL 1007 22 AWG YELLOW	215.0*4	mm
5	1-61-0052-200251	2C*30#--+2D+AL-AMYLAR+THERMOPLASTIC-AMYLAR BLUE 04 (NON UL)	770.0*2	mm
4	1-61-0051-200251	2C*30#--+2D+AL-AMYLAR+THERMOPLASTIC-AMYLAR BLUE 03 (NON UL)	770.0*2	mm
3	1-61-0050-200251	2C*30#--+2D+AL-AMYLAR+THERMOPLASTIC-AMYLAR BLUE 02 (NON UL)	770.0*2	mm
2	1-61-0049-200251	2C*30#--+2D+AL-AMYLAR+THERMOPLASTIC-AMYLAR BLUE 01 (NON UL)	770.0*2	mm
1	1-61-0048-200251	2C*30#--+2D+AL-AMYLAR+THERMOPLASTIC-AMYLAR BLUE 01 (NON UL)	770.0*2	mm

NO.	PART NO.	DESCRIPTION	QTY	UNIT

INNER MOLDING		
OUTER MOLDING		

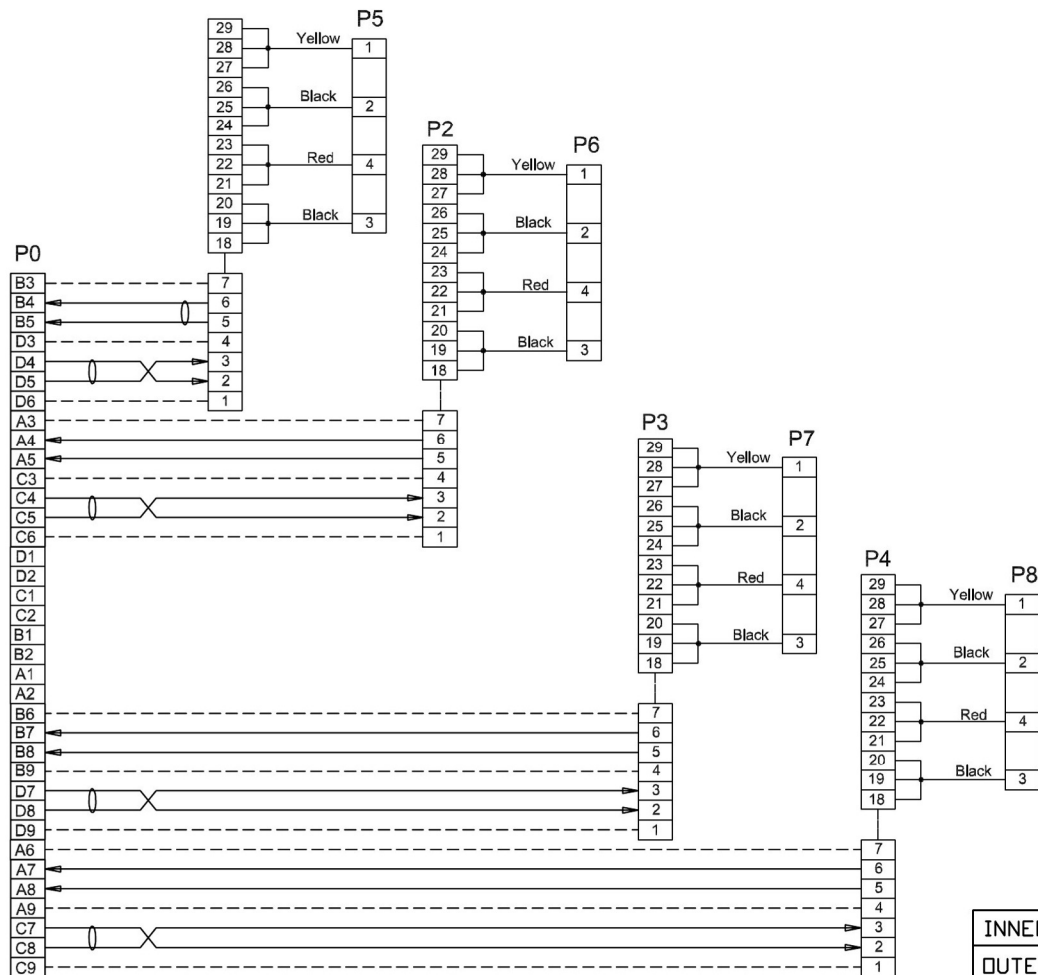
DRAWN BY: 胡林喜	SCALE: NONE	DATE:2015.06.04
CHECKED BY:	CUSTOMER: C331	PAGE:1/2
APPROVED BY:	CUSTOMER P/N:	

ITEM: SATA00000102547	REV R
-----------------------	-------

ALL DIMENSIONS IN mm (UNLESS OTHERWISE SPECIFIED)

PIN ASSIGNMENT

DESCRIPTION CONTROL			
REV	DESC	DATE	ECN NO.



INNER MOLDING				
OUTER MOLDING				

	ITEM: SATA00000L02547	REV R
	DRAWN BY: 胡林喜	SCALE: NONE
CHECKED BY:	CUSTOMER: C331	PAGE: 2/2
APPROVED BY:	CUSTOMER P/N:	

ALL DIMENSIONS IN mm (UNLESS OTHERWISE SPECIFIED)