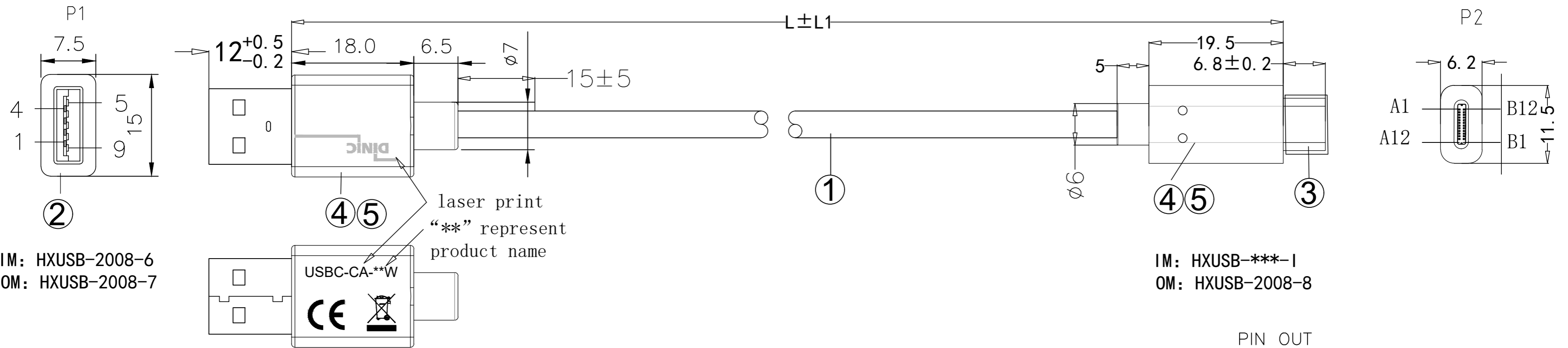


REV	MODIFICATION	DATE
A	ISSUE	2022.02.21

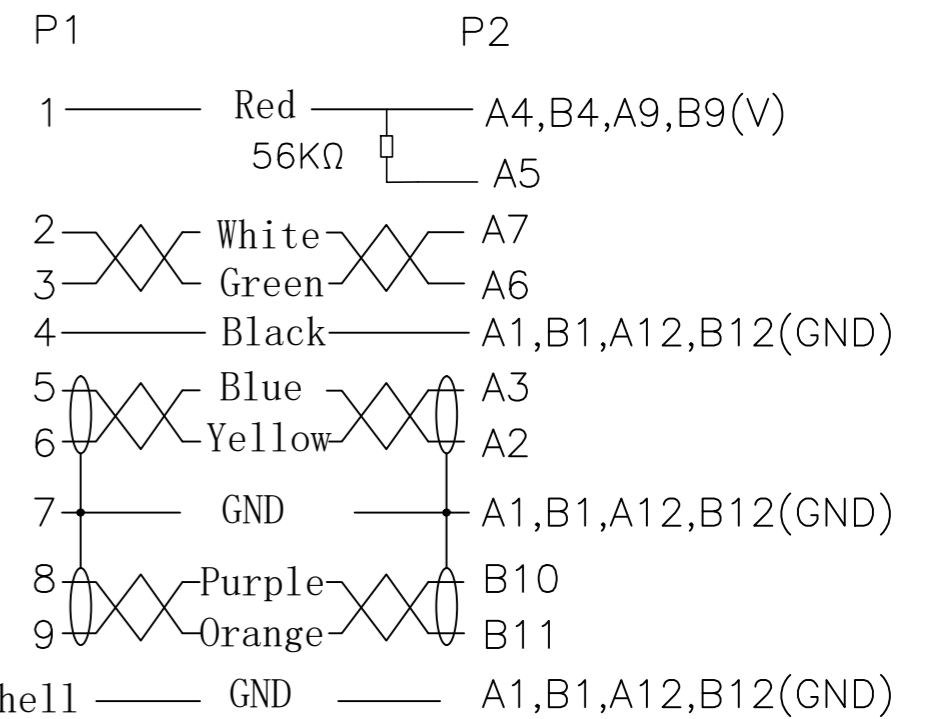


IM: HXUSB-2008-6  
OM: HXUSB-2008-7

IM: HXUSB-\*\*\*-1  
OM: HXUSB-2008-8

HX P/N	Name	L±L1
201930129	USBC-CA-05W-PB	500±20
201930130	USBC-CA-1W-PB	1000±20

PIN OUT



ELECTRONIC TEST:

- A.OPEN/SHORT/INTERMITTENCE: 100%.
- B.CONDUCTIVE RESISTANCE:2 OHM (MAX)
- C.USB SPEED READING/WRITING:350MB/S Reading, 300MB/S Writing

⑥	Dust Cap	USB C Male Dust Proof Cap	1	PCS			
⑤	MOLDED	45P White PVC	13	G	角法 PROJ:	容 忍 公 差 TOLERANCE:	产 品 名 称 PRODUCT NAME:
④	MOLDED	LDPE	5	G	比 例 SCALE:	版 本 REV:	产 品 料 号 PART NO:
③	CONNECTOR	USB3.1 C Male TYPE Pin Gold Plate Shell nickel plated+PCBA with up pull 56KΩ	1	PCS	单 位 UNIT:	页 次 SHEET:	客 户 CUST:
②	CONNECTOR	USB3.0 A Male Pin Gold Plated Blue Insulation Frame Shell nickel Plated	1	PCS	客 户 回 签 SUST APPROVED:		
①	CABLE	[(7/0.10TC)*1P+D(7/0.10TC)+AL+ML]*2+(7/0.10TC)*1P+24#(7/0.2TC)*2C+D(1/0.254BC)+B(64*0.12AL-MG) White PVC Jacket OD:4.5±0.2MM Marking: E***** 兄 AWM STYLE 20276 80° C 30V VW-1 SUPER HIGH SPEED USB Revision 3.1	L	MM	核 准 APPROVED:		
NO	NAME		Q'TY	UNIT	制 图 DRAWING:	YUCHENG SHI 2022.02.21	