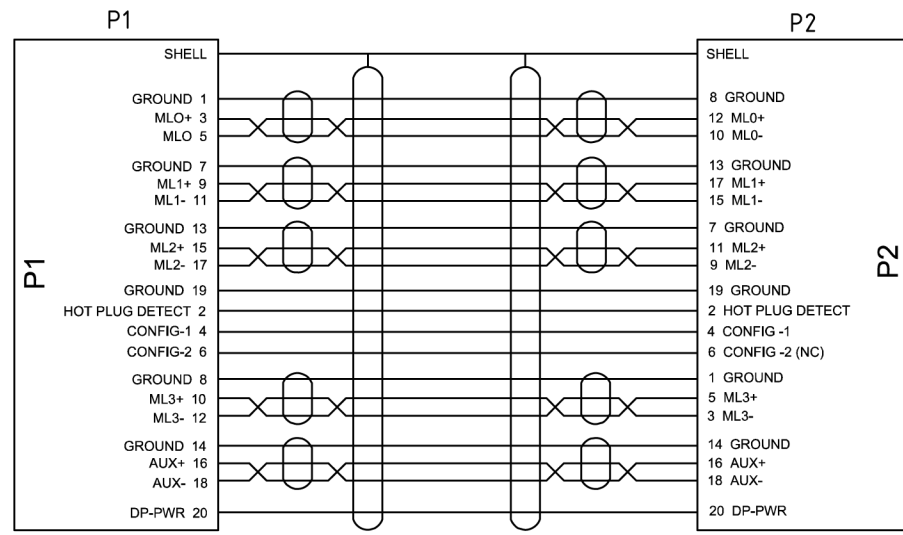
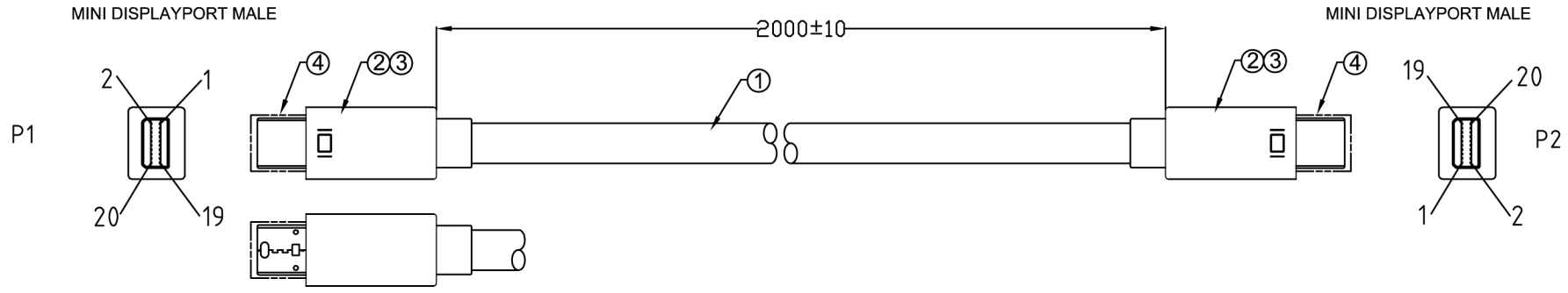


RoHS-COMPLIANT

REV.	MODIFIXATION	DATE	DRAWN	CHK'D



4	COVER	TRANSPARENT	2 PCS
3	CASE	P1&P2 CONNECTOR ASSEMBLY TYPE WHITE	2 SET
2	CONN.	MINI DISPLAYPORT CONNECTOR,MALE ASSEMBLY TYPE	2 SET
1	CABLE	UL20276 32AWG*5C (EAM+D)+32AWG*5C A+B Displayport WHITE L=650mm	1 PCS
ITEM	NAME	DESCRIPTION	QTY

DIMENSIONS ARE IN MILLIMETERS		REVISION
TOLERANCES:		A
LINEAR: X	±1.0 XXX ±0.15	
X.X	±0.5 X.XXX ±0.05	
ANGULAR:	±0.5°	
	NAME	DATE
DRAWN	Cheng	11 / 17 / 2009
CHK'D	Elle	11 / 17 / 2009

TITLE:		PART NO.
Mini DP (M) to Mini DP (M) Cable L=2000mm		A4
DWG No	BVC020014-015A	SCALE: 1 : 1
		SHEET1 OF 1