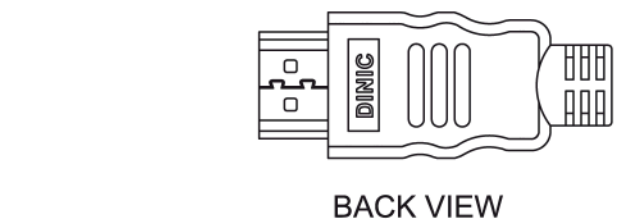
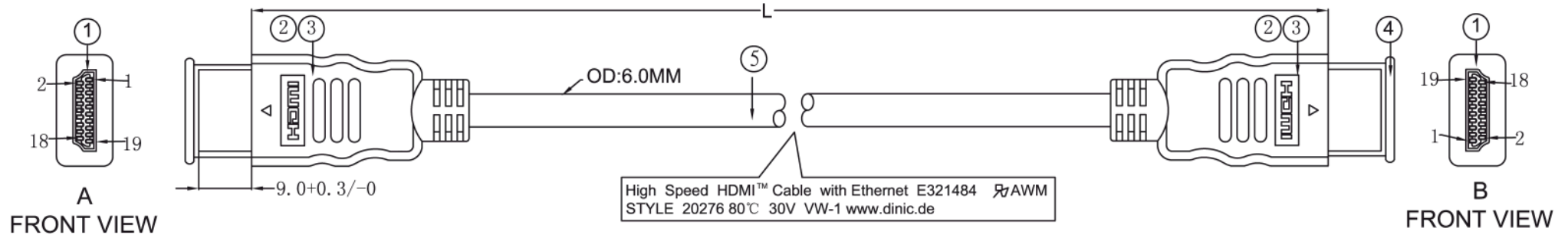
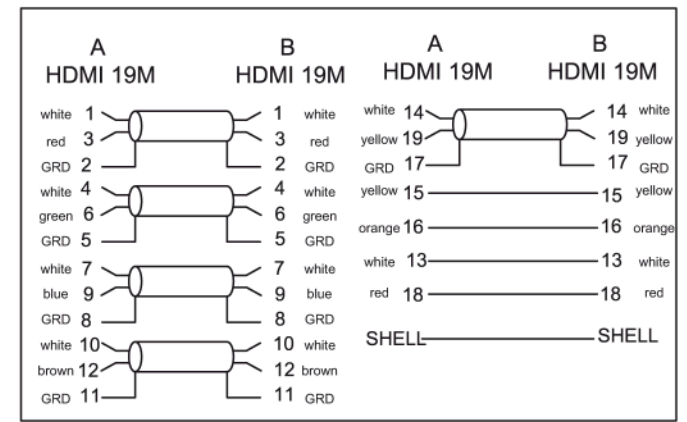


REV	DESCRIPTION	DATE	ECN NO.
1.0	Production Release	2012.02.10	
⚠			



**ELECTRICAL TEST:**  
 1.100% OPEN&SHORT TEST  
 2.CONTACT RESISTANCE:"X" ohm(MAX)  
 3.INSULATION RESISTANCE:10 MOhm (MIN)  
 4.HI-POT TEST:AC&DC:250V

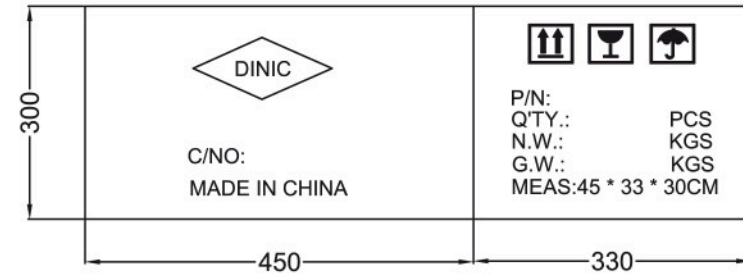
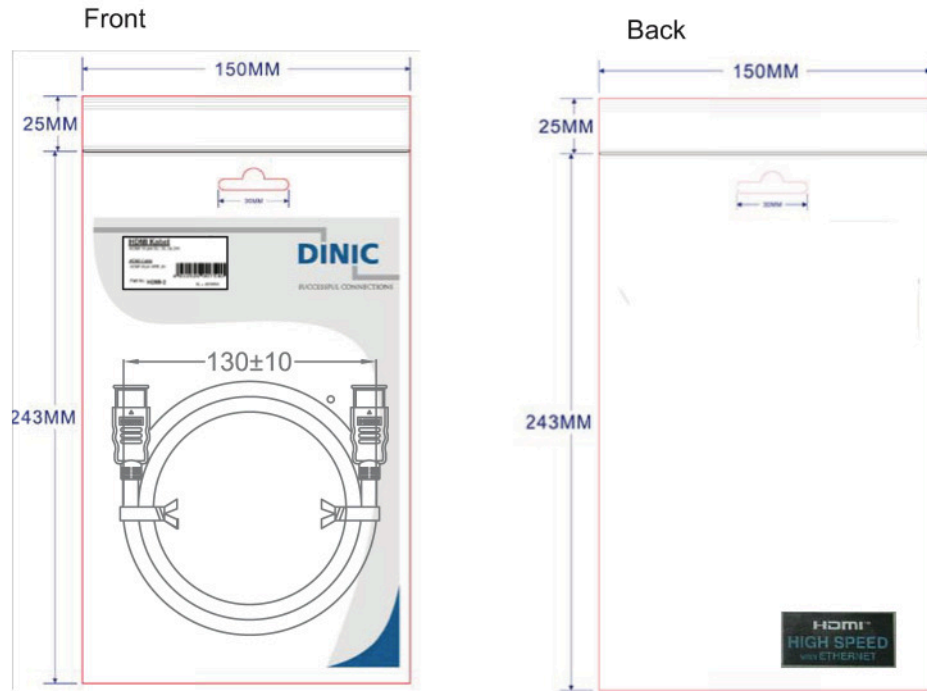
P/N:	LENGTH	CONTACT RESISTANCE
GC-HD001-2	2000±50	2 Ohm
GC-HD001-3	3000±60	3 Ohm
GC-HD001-5	5000±100	5 Ohm



NO.	PART NAME	DESCRIPTION	QTY
⑤	CABLE	HDMI CABLE,[1P*30#(7/0.1TC)+D+AL]*5C+4C*30#(7/0.1TC)+AL+D+B( 64/AL-MG), PVC JACKET,COLOR:BLACK OD:6.0MM	1
④	HDMI CAP	HDMI CAP TRANSPARENT	2
③	OUTER MODEL	PVC MOLDING ,50P COLOR:BLACK	
②	INNER MODEL	LD-PE COLOR:TRANSPARENT	
①	CONNECTOR	HDMI 19 PIN MALE CONNECTOR, CONTACT GOLD PLATED , SHELL GOLD PLATED , INSULATOR COLOR:BLACK	2

REV.	TOLERANCE		DESCRIPTION	DATE
	INCHES	M/M		
.X	.015	.30	<b>DINIC</b>	
.XX	.010	.10		
.XXX	.005	.05		
DRAWN BY: Jones			TITLE: GC-HM001	
CHECK BY:			CUSTOMER :	
APPD BY:			SCALE: NONE	DRAWING NO:
			UNIT: MM	REV. A
			DATE:	1/3

REV	DESCRIPTION	DATE	ECN NO.
1.0	Production Release	2012.02.10	



外箱正麦

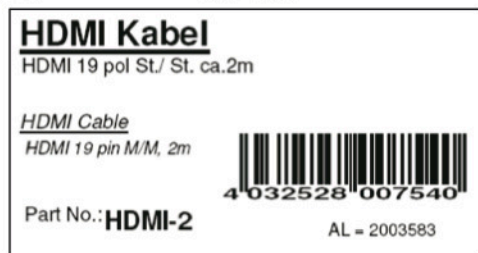
外箱侧麦

- 注意：1. 袋子正面框线处贴1PC条码贴纸  
 2. 袋子背面右下角贴1PC协会贴纸  
 3. 3M, 5M用普通PE袋包装, 背面右下角贴1PC协会贴纸

说明：

1. 外箱规格：L:450\*W:330\*H:300MM K=K.
2. 将外箱整理成型, 用封箱胶带封底, 放1PC隔板  
套1PC防水袋
3. 将封好口的成袋产品依次装入纸箱内，
4. 确认无误后, 放1PC隔板，再将外箱整理封箱。

贴纸：L60\*W30MM 白底黑字



DINIC					
DESCRIPTION		HDMI 19M to HDMI 19M CABLE			
P/N		DWG NO		GC-HM001	
CUSTOMER		CUSTOMER P/N			
UNIT	mm	TOLERANCE:		DRAWN BY	
SCALE	NTS	LINEAR:		ANGULAR:	
		X. =±1 .X =±0.2 .XX=±0.05		X.° =±1° .X° =±0°30'	
SHEET	2/2	FILLET:		CHAMFER:	
		R2=RAD.2mm R5=RAD.5mm XR=MAX RAD.		C0.5=CHAM0.5mm C1=CHAM1mm	
		CHECKED BY		APPD. BY	
		DATE		2012.02.10	